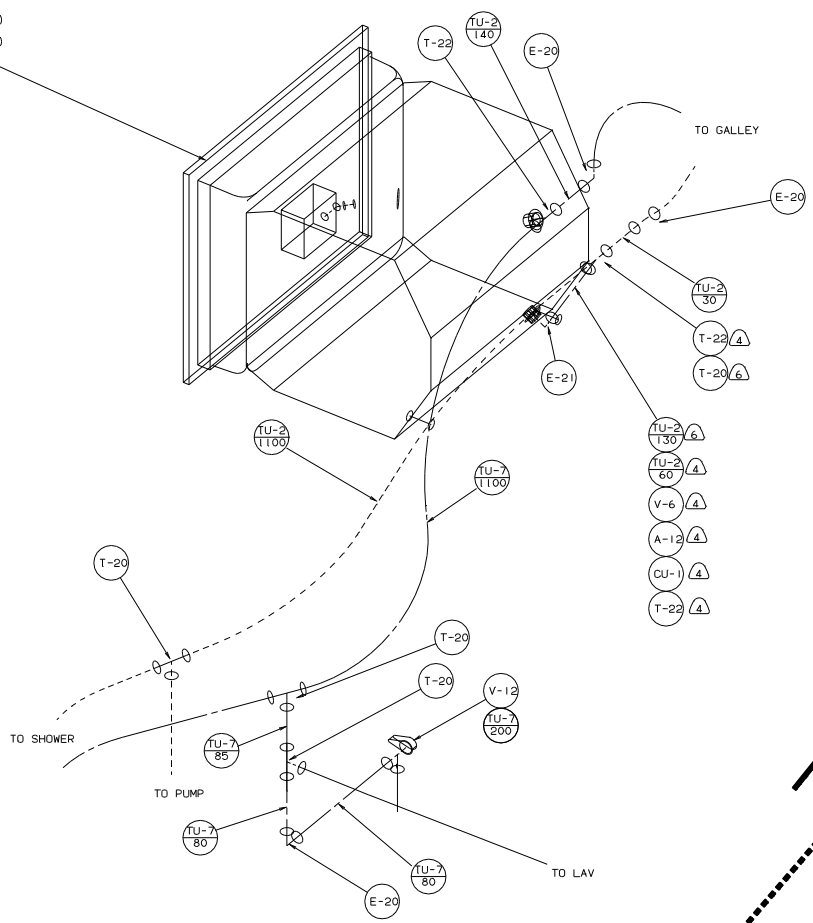


(X-X) FOR DRAINAGE CALLOUTS SEE DWG NO. 116229-01-000

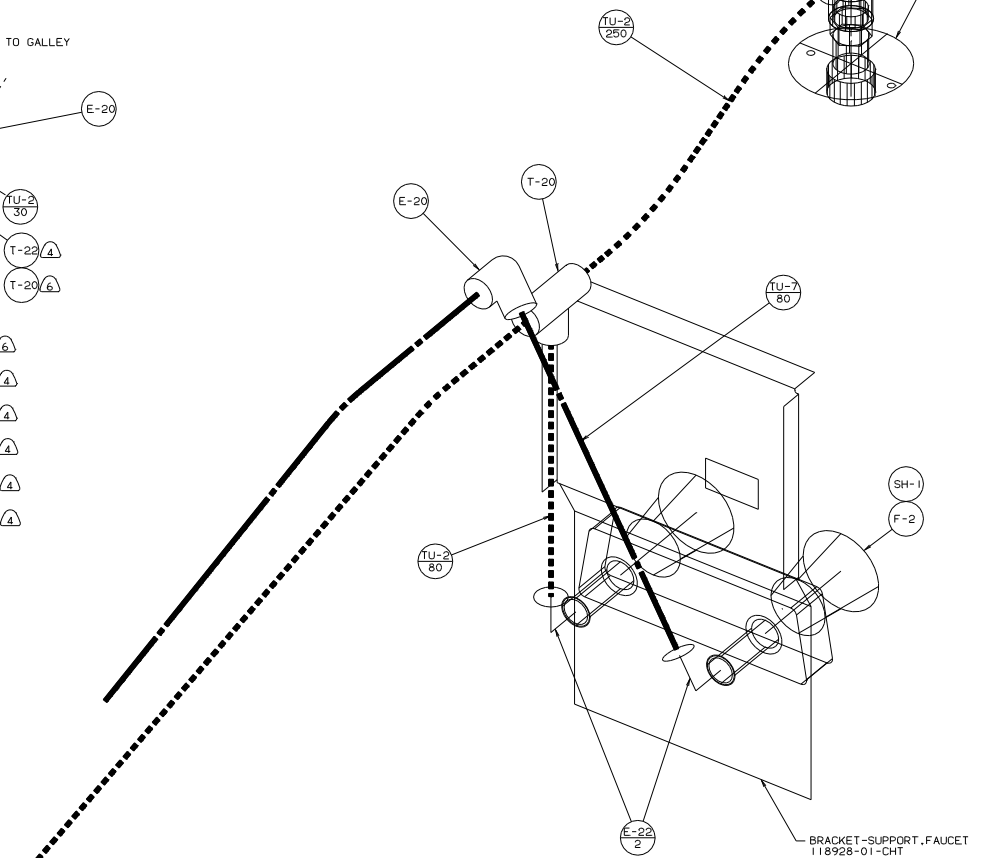
- FOR CAN UNITS EACH HOLDING TANK SHALL HAVE A CSA APPROVAL STAMPED NEAR THE IAMPO APPROVAL.
- ALL EXTERIOR OPENINGS AROUND PIPE TO BE SEALED WITH 110744-01-000.
- ALL PIPE AND FITTINGS TO BE ASSEMBLED WITH SOLVENT 4020-01-000.
- SLOPE OF TRAP ARM MUST BE 6 PER 305.
- SLOPE OF HORIZONTAL PIPING TO BE 6 PER 305 MINIMUM.
- SEAL ALL AROUND SHOWER WITH SILICONE.
- SEE DWG 61607-01-000 FOR INSTL OF GROMMETS.
- SECURE VENT TUBES TO FLOOR WITH BRACKET 95061-01-000(2), CLAMP 62401-02-000, PLATE COVER 94346-03-000, SCREW 667-10-12B(2), AND STAPLE 5403-03-000.
- VENT PIPE MUST PROJECT 51 MM MIN AND 63.5 MM MAX ABOVE ROOF FOR PROPER FIT AND FUNCTION.
- TRIM P-TRAP TO FIT.

WINNEDAGO 96 429W0	
DATE: 11/18/97	SCALE: 1:1
DRAWN BY: []	CHECKED BY: []
INCHES: 1/8" (25.4)	MILLIMETERS: 6.35
PROJ. NO. 96 429W0	SHEET 1 OF 1
TITLE: DRAINAGE SYSTEM INSTL	
REF: 118444	118967

WATER HEATER
 51391-01-000
 (MANUAL IGNITION)
 51391-02-000
 (ELECTRONIC IGNITION)
 51391-03-000
 (W/MOTOR AID)
 DDOR
 78506-01-CHT
 AL. EXTR
 2726-01-210
 2726-01-212(2)
 SCREW
 639-10-169(18)
 SEALANT



VIEW A-A



DETAIL B

BRACKET-SUPPORT, FAUCET
118928-01-CHT

TITLE:		WATER SYSTEM INSTL	
30 NET SCALE DRAWING	SIZE	DATE	NO
SHEET 2 OF 2	1 E		118966

96 429WQ