

- Ⓜ NOT USED ON CANADIAN UNITS.
- 10 SECURE VENT TUBES TO FLOOR WITH BRACKET 95061-01-000(2), CLAMP 62401-02-000, PLATE COVER 94346-03-000, SCREW G67-10-12B(2), AND STAPLE 5403-03-000.
  - 9 VENT PIPE MUST PROJECT 51 MM MIN AND 63.5 MM MAX ABOVE ROOF FOR PROPER FIT AND FUNCTION.
  8. SEE DWG 61607-01-000 FOR INSTL OF GROMMETS.
  7. SEAL ALL AROUND SHOWER WITH SILICONE.
  6. FOR CAN UNITS EACH HOLDING TANK SHALL HAVE A CSA APPROVAL STAMPED NEAR THE IAMPO APPROVAL.
  5. EXPOSED PIPE ABOVE ROOF TO BE PAINTED 37163-01-000.
  4. ALL EXTERIOR OPENINGS AROUND PIPE TO BE SEALED WITH 110744-01-000.
  3. ALL PIPE AND FITTINGS TO BE ASSEMBLED WITH SOLVENT 4020-01-000.
  2. SLOPE OF TRAP ARM MUST BE 6 PER 305.
  1. SLOPE OF HORIZONTAL PIPING TO BE 6 PER 305 MIN.

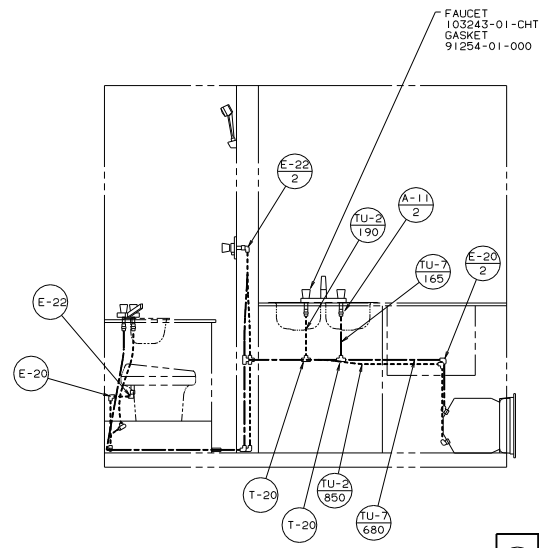
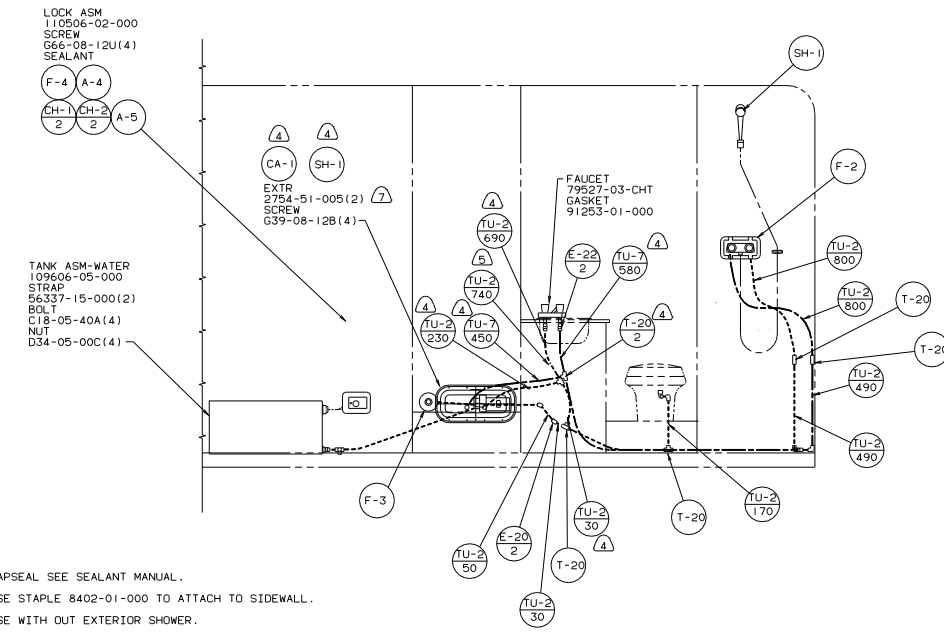
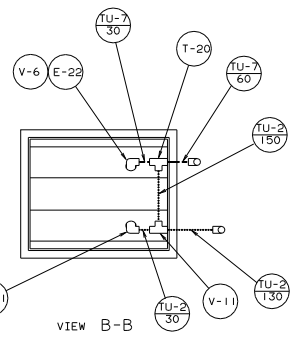
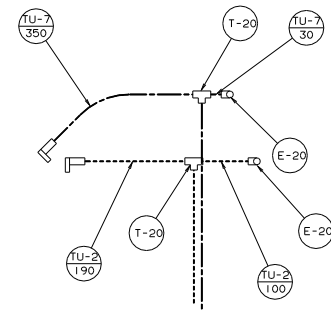
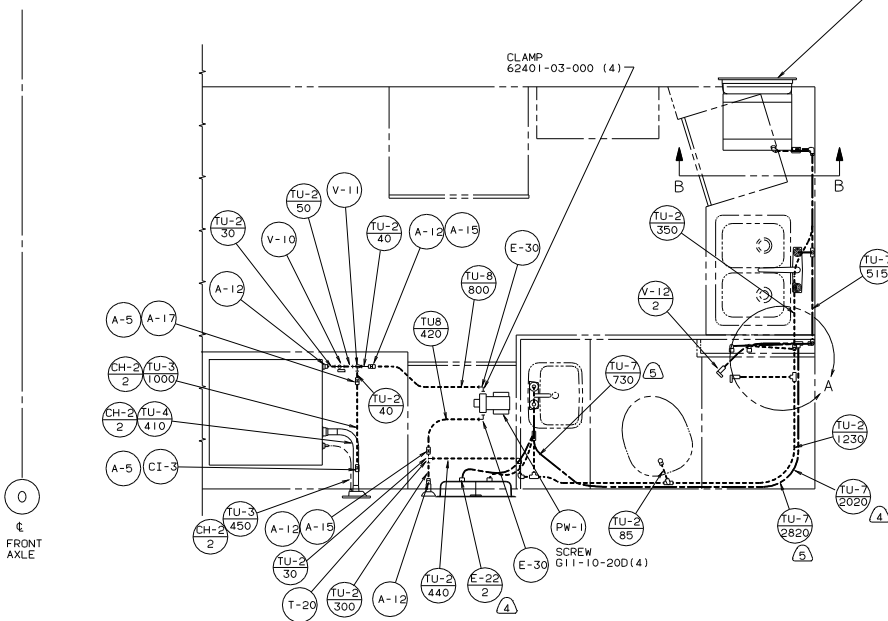
WINNEGAGO 95 321RK

DATE	UNSPECIFIED TOLERANCES ARE:	MATERIAL:
0/0	FRACTIONAL DIMS	
0/0	ONE-PLACE (X.X)	
0/0	TWO-PLACE (X.XX)	
0/0	THREE-PLACE (X.XXX)	
0/0	ISO DIMS	

LANE# 321RK5 TITLE: DRAINAGE SYSTEM INSTL

DWG NO: 116912

SHEET 1 OF 1



- (7) CAPSEAL SEE SEALANT MANUAL.
  - (6) USE STAPLE 8402-01-000 TO ATTACH TO SIDEWALL.
  - (5) USE WITH OUT EXTERIOR SHOWER.
  - (4) USE WITH EXTERIOR SHOWER.
3. ALL TUBING TO BE SECURED AT 1200 INTERVALS MAX WITH CLAMP 10495-01-000 AND SCREW G67-10-12B.  
 2. TUBING TO BE INSTALLED WITH SUFFICIENT SLOPE TO PROVIDE DRAINAGE TO NEAREST VALVE.  
 1. PLASTIC FITTINGS TO BE SEALED WITH SEALANT 84456-01-000.

LEGEND

HOT	—————
COLD	-----

FOR WATER CALLOUTS SEE DWG NO. 116230-01-000

WINNERAGO 95 321RK	
DATE: 8/28/09	SCALE: 1:1
TITLE: WATER SYSTEM INSTL	
DRW: 116913	SHEET: 1 OF 1