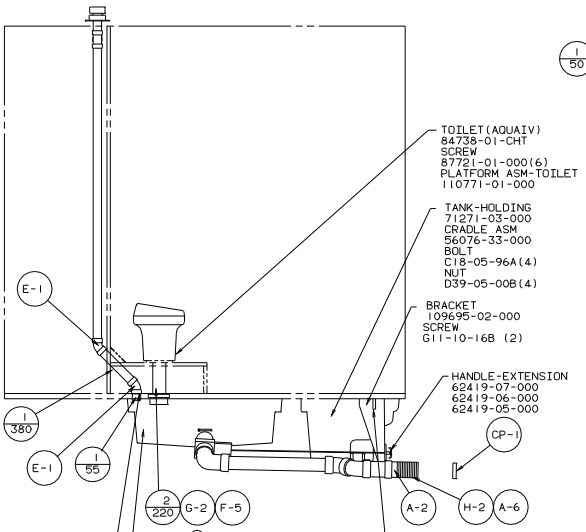
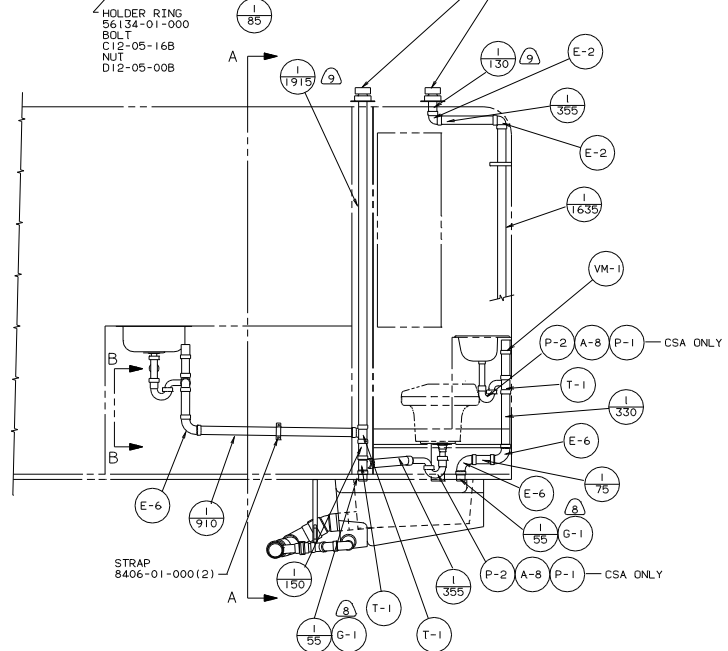
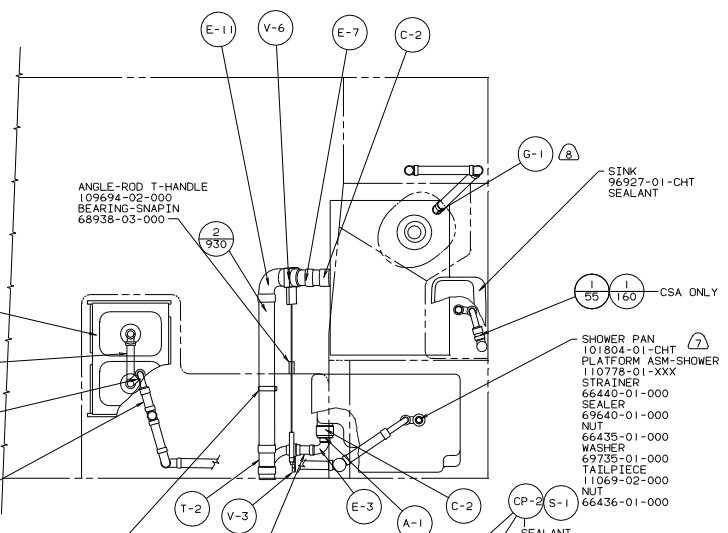


VIEW B-B



VIEW A-A



- SINK 104113-01-000
- STRAINER 92303-01-000
- SEALANT 105497-01-000(2)
- ANGLE-SINK_RETAINER 105497-02-000(4)
- SCREW 667-10-12G(22)

- CSA ONLY W-3 W-2
- CSA ONLY P-3 A-8 P-2

- ANGLE-ROD T-HANDLE 109694-02-000
- BEARING-SNAP-IN 68938-03-000

- SINK 96927-01-CHT
- SEALANT

- SHOWER PAN 101804-01-CHT
- PLATFORM ASM-SHOWER 110778-01-XXX
- STRAINER 66440-01-000
- SEALER 69640-01-000
- NUT 66435-01-000
- WASHER 69735-01-000
- TAILPIECE 11069-02-000
- NUT 66436-01-000

- HOLDER RING 56134-01-000
- BOLT C12-05-16B
- NUT D12-05-00B

- SEALANT
- SCREW 667-10-12G(12)

- TOILET (AQUAVIV) 84738-01-CHT
- SCREW 87721-01-000(6)
- PLATFORM ASM-TOILET 110771-01-000

- TANK-HOLDING CRADLE ASM 71271-03-000
- 56076-33-000
- BOLT C18-05-96A(4)
- NUT D39-05-00B(4)

- BRACKET 109695-02-000
- SCREW G11-10-16B (2)

- HANDLE-EXTENSION 62419-07-000
- 62419-06-000
- 62419-05-000

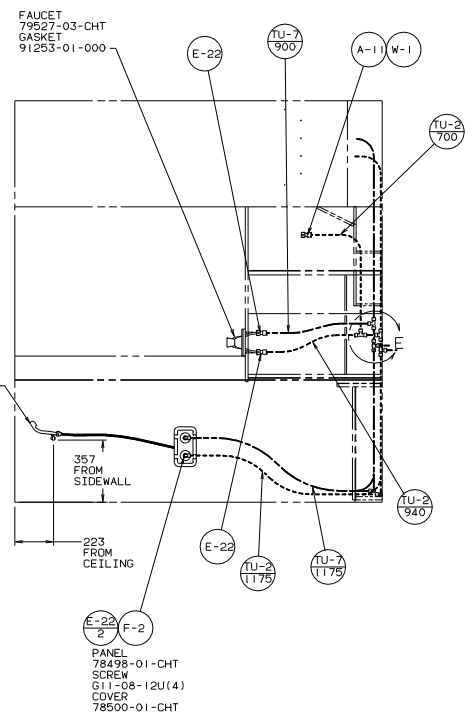
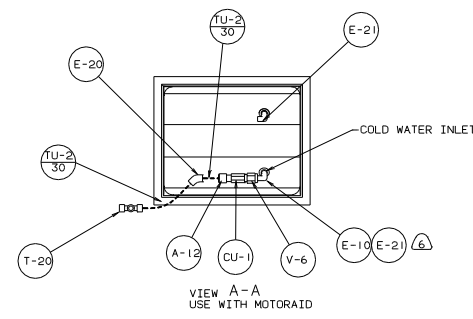
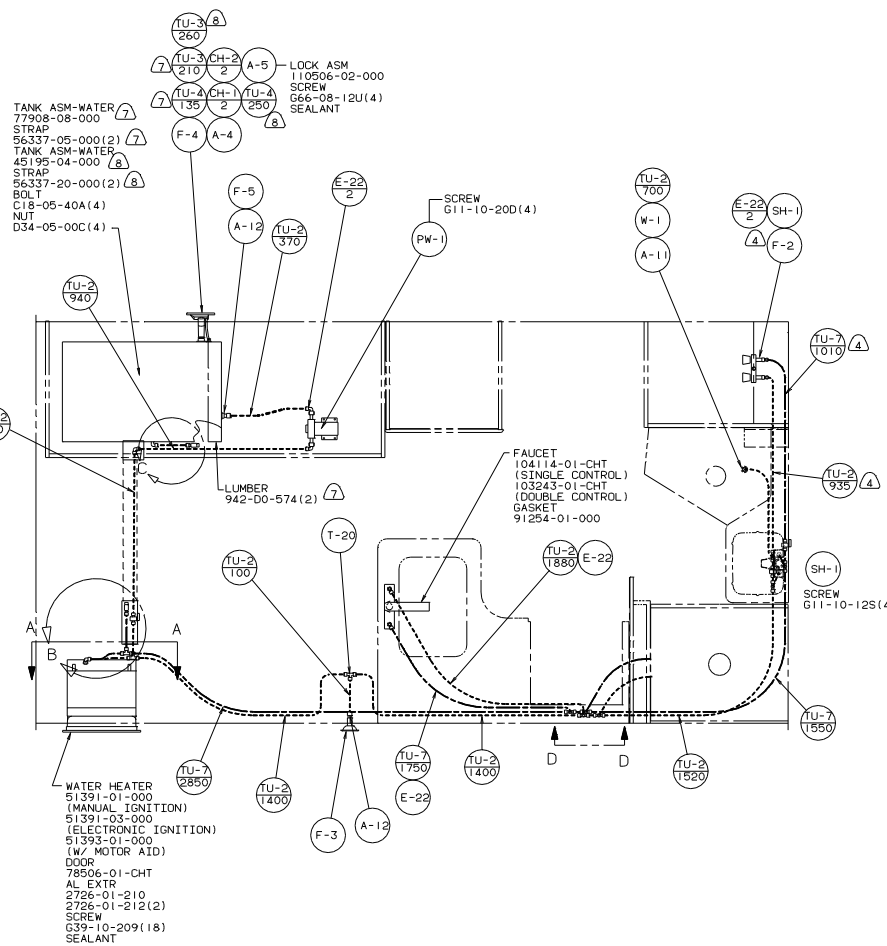
- BRACKET 95061-01-000(3)
- SCREW 667-10-12B(6)
- CLAMP 62401-02-000(3)

- BRACKET 76827-02-000
- SCREW G39-10-12B (2)
- G11-10-16B (2)

10. SECURE VENT TUBES TO FLOOR.
9. VENT PIPE MUST PROJECT 51 MM MIN AND 63.5 MM MAX ABOVE ROOF FOR PROPER FIT AND FUNCTION.
8. SEE DWG 61607-01-000 FOR INSTL OF GROMMET.
7. SEAL ALL AROUND SHOWER WITH SILICONE 78474-01-CHT.
6. FOR CAN UNITS EACH HOLDING TANK SHALL HAVE A CSA APPROVAL STAMPED NEAR THE IAMPO APPROVAL.
5. EXPOSED PIPE ABOVE ROOF TO BE PAINTED 37163-01-000.
4. ALL EXTERIOR OPENINGS AROUND PIPE TO BE SEALED WITH 110744-01-000.
3. ALL PIPE AND FITTINGS TO BE ASSEMBLED WITH SOLVENT 4020-01-000.
2. SLOPE OF TRAP ARM MUST BE 6 PER 305.
1. SLOPE OF HORIZONTAL PIPING TO BE 6 PER 305 MIN.

(X-X) FOR DRAINAGE CALLOUTS SEE DWG NO. 116229-01-000

WINNERAGO 94 421RB	
QTY IN	UNSPECIFIED TOLERANCES ARE MATERIAL
CHP	WHOLE DIM IN'S ± 1.5
DR	ONE-PLACE IN IN'S ± .5
FR	TWO-PLACE IN IN'S ± .5
FIN	WHOLE DIM ± .5
CON	TWO-PLACE IN IN'S ± .5
TRUSS W/OLE PROTECTION	
LAINT NO 421RB4	TITLE: DRAINAGE SYSTEM INSTL
REV 0	DO NOT SCALE DRAWING
ALL DIMENSIONS ARE IN MILLIMETERS	SHEET 1 OF 1
110931	

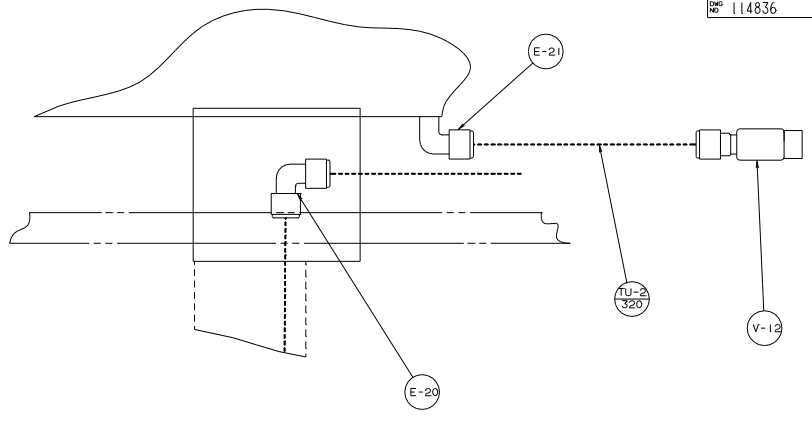
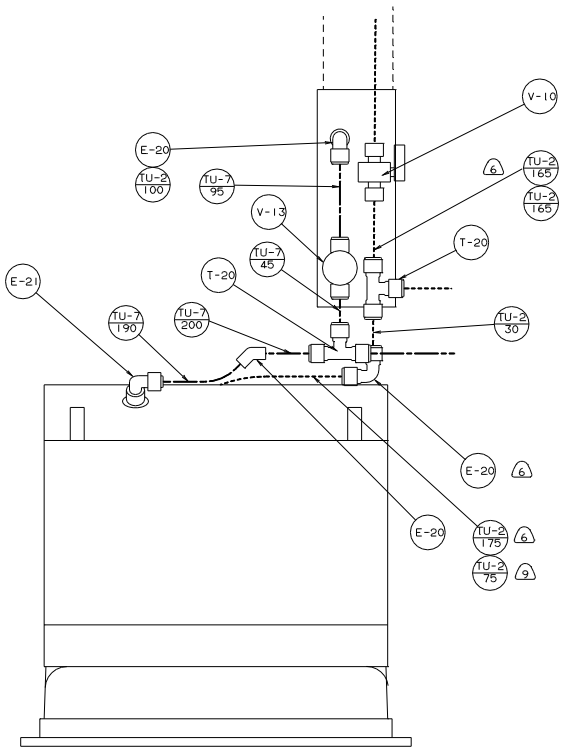


- (10) USE WITH EXTERIOR ENTERTAINMENT CENTER.
 - (9) USE WITH MOTOR AID.
 - (8) USE WITHOUT JAPAN EXPORT PACKAGE.
 - (7) USE WITH JAPAN EXPORT PACKAGE.
 - (6) USE WITHOUT MOTOR AID.
 - (5) USE WITHOUT EXTERIOR SHOWER.
 - (4) USE WITH EXTERIOR SHOWER.
3. ALL TUBING TO BE SECURED AT 1200 INTERVALS MAXIMUM WITH CLAMP 10495-01-000 AND SCREW G67-10-12B.
 2. TUBING TO BE INSTALLED WITH SUFFICIENT SLOPE TO PROVIDE DRAINAGE TO NEAREST VALVE.
 1. PLASTIC FITTINGS TO BE SEALED WITH SEALANT 84456-01-000.

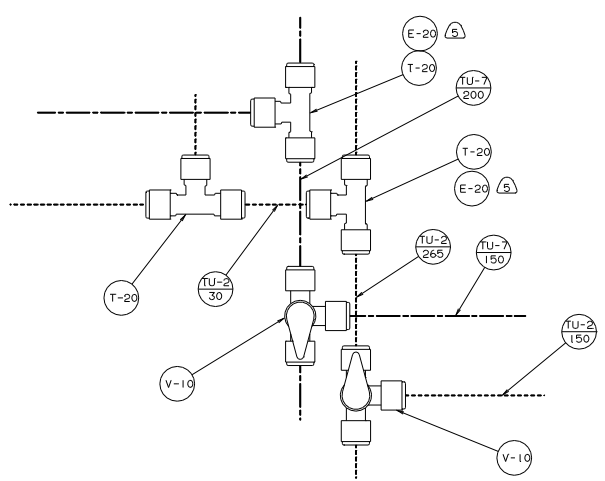
X-X FOR WATER CALLOUTS SEE DWG NO. 116230-01-000

LEGEND	
HOT	—————
COLD	-----

WINNENAGO 95 321RB
 LANSET NO. 421RB4 TITLE: WATER SYSTEM INSTL
 DIA OF SCALE NONE 30 NET SCALE DRAWING SIZE 1 1/2" X 1 1/2"
 ALL DIMENSIONS ARE IN MILLIMETERS SHEET 1 OF 2 114836

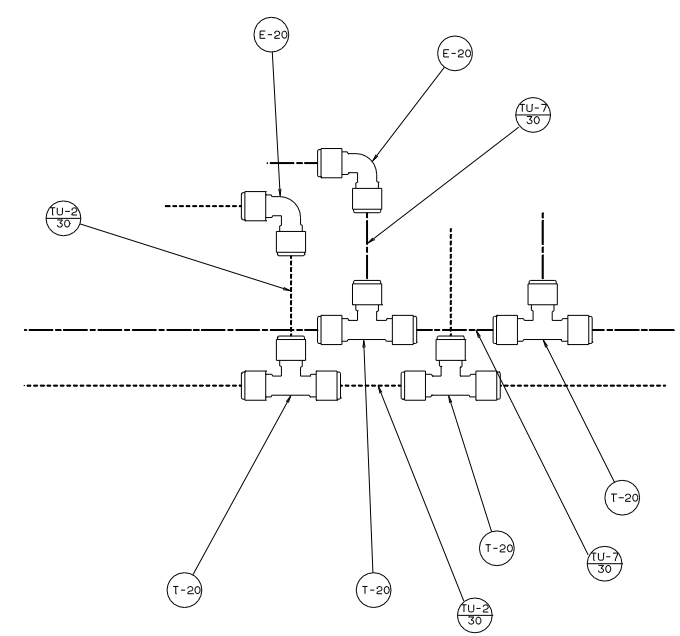


DETAIL B



DETAIL E

DETAIL C



VIEW D-D

95 321RB

TITLE:		WATER SYSTEM INSTL	
30 NET SCALE DRAWING	DATE	1.1	114836
SHEET 2 OF 2	REV		