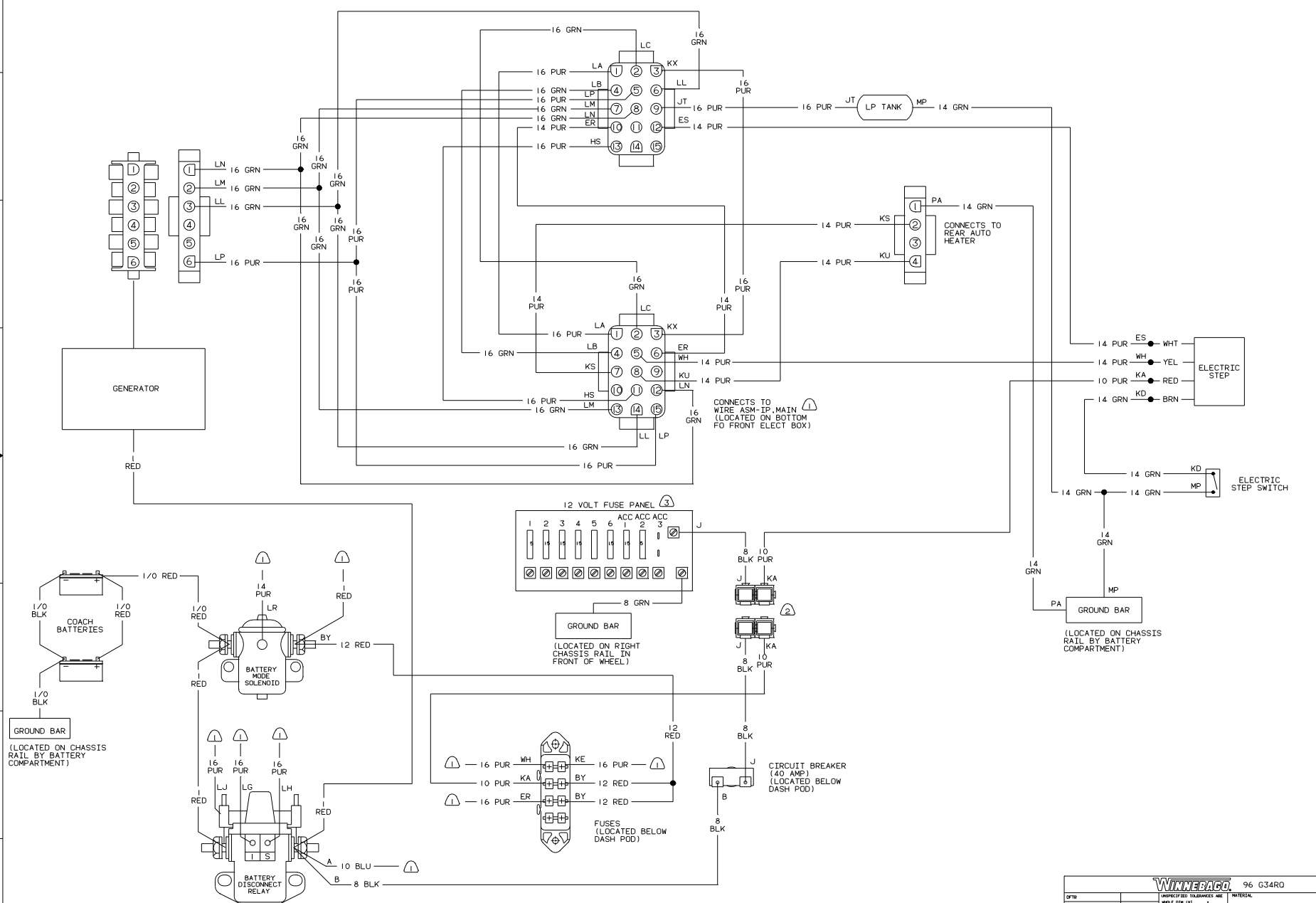


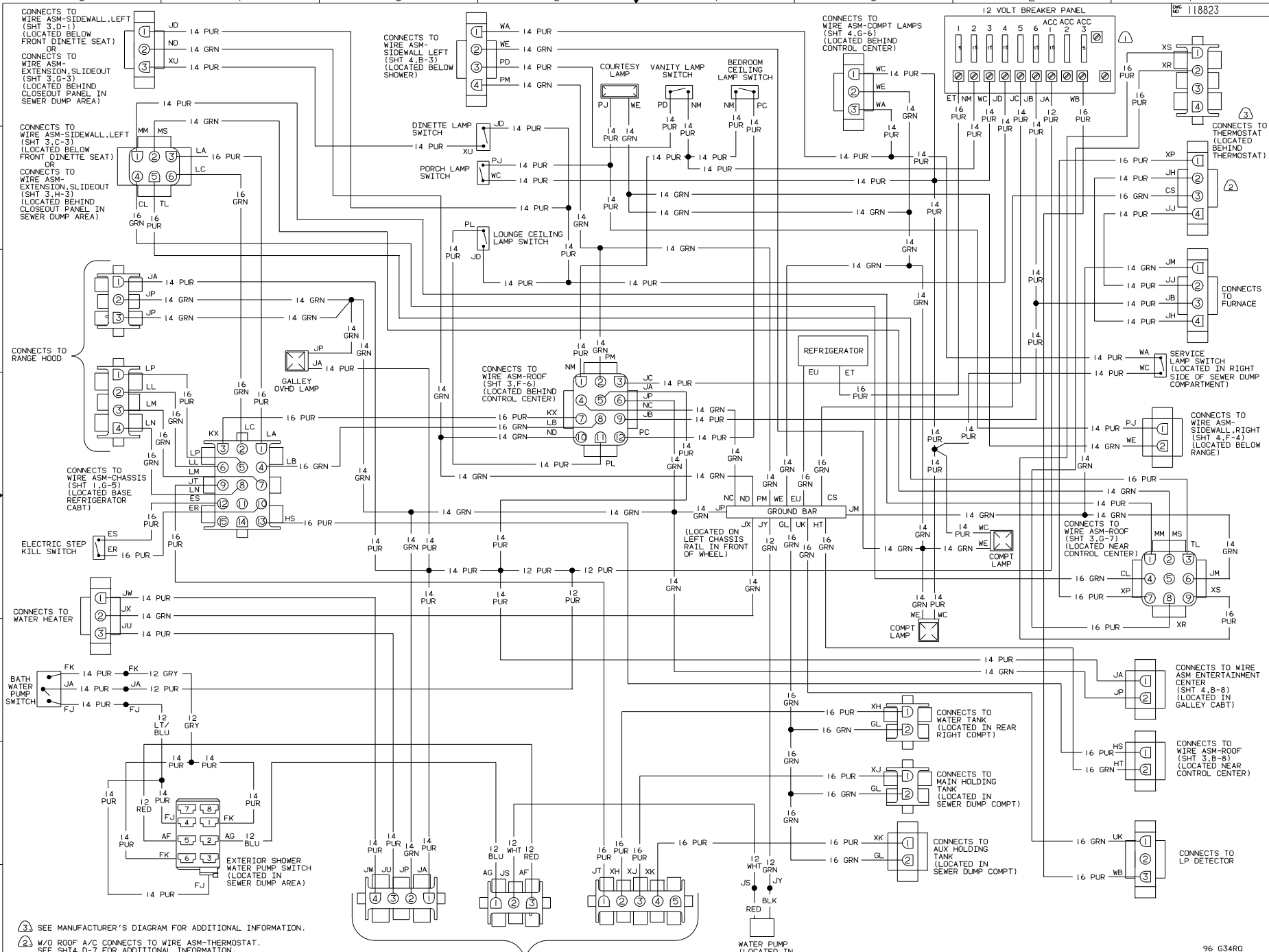
CONNECTS TO WIRE ASM-RIGHT (SHT 2,E-7) (LOCATED BASE OF REFRIGERATOR CABT)



- ③ SEE SHT 2 FOR ADDITIONAL INFORMATION.
- ② CONNECTION MADE IN FRONT ELECTRICAL BOX.
- ① SEE WIRING DIAGRAM-AUTO FOR ADDITIONAL INFORMATION.

WIRING DIAGRAM-CHASSIS
 (WIRE ASM 118826)

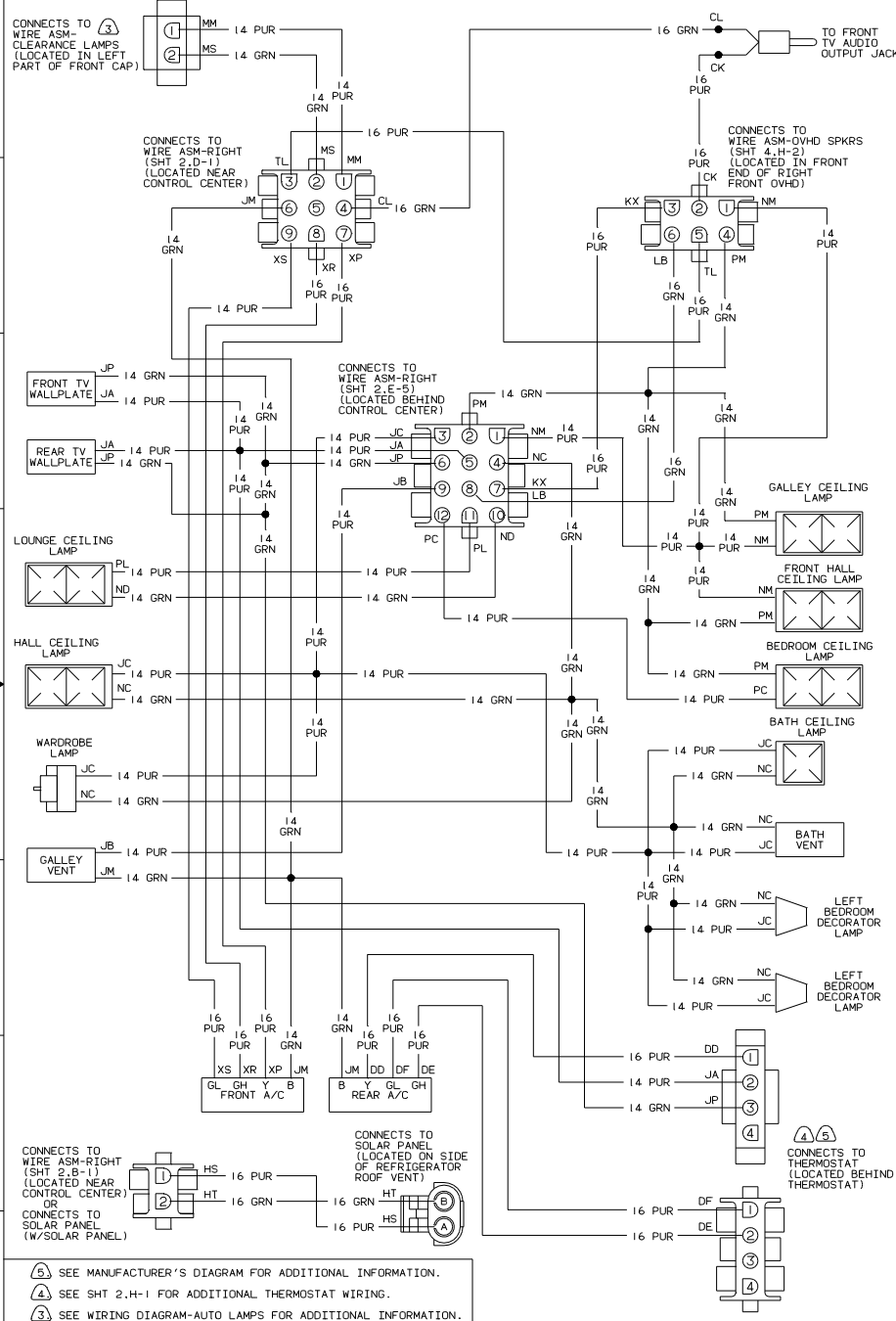
WINNEBAGO		96 G34R0
OPTD	UNSPECIFIED TOLERANCES ARE	MATERIAL
CHRP	MADE ORN 101	
FR	ONE-PLATE (1X 31)	
DR	TWO-PLATE (1X 301)	
DR	ANGLE	
DR	TRUSS ANGLE	
DR	PROTECTION	
LAINT	TITLE: WIRING DIAGRAM-BODY	
REV	SCALE	NO. OF SHEETS
2	NO. NET SCALE DRAWING	1 OF 5
	ALL DIMENSIONS ARE IN MILLIMETERS	1.6 NO



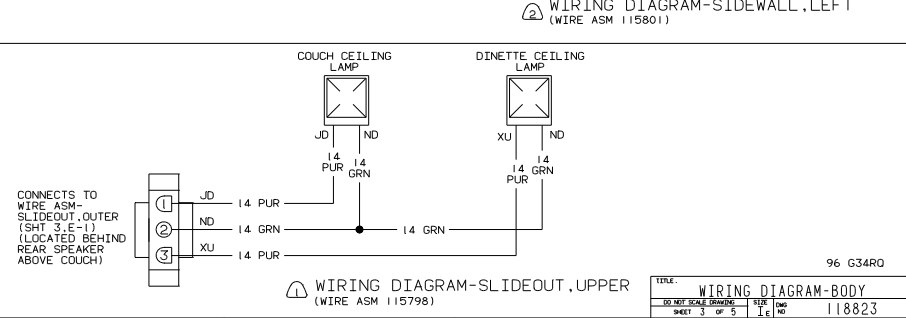
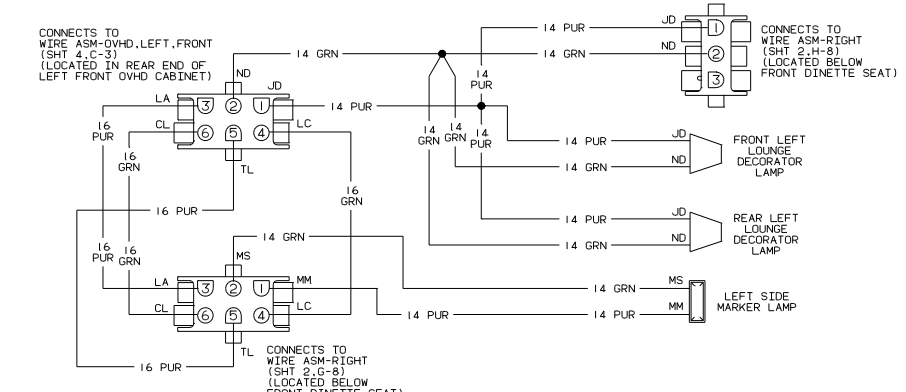
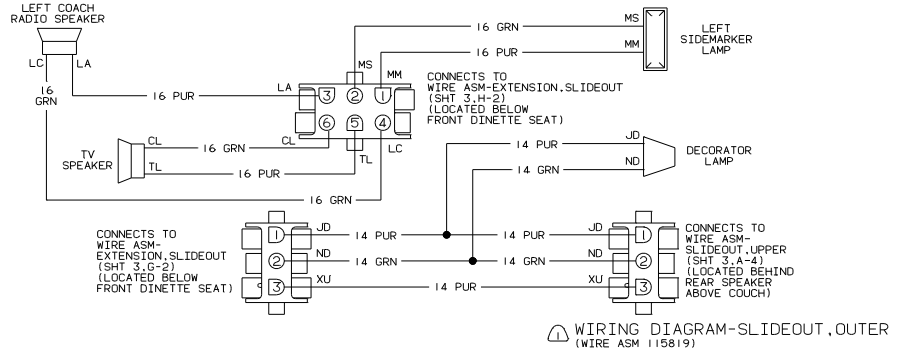
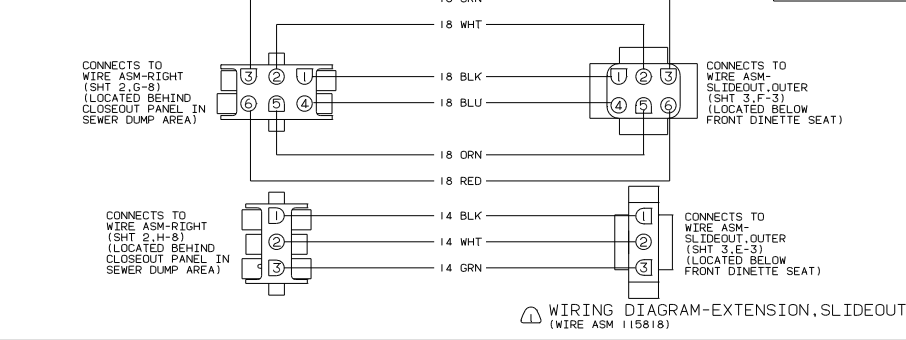
(3) SEE MANUFACTURER'S DIAGRAM FOR ADDITIONAL INFORMATION.
 (2) W/O ROOF A/C CONNECTS TO WIRE ASM-THERMOSTAT. SEE SH4,D-7 FOR ADDITIONAL INFORMATION.
 (1) SEE SH4 I FOR ADDITIONAL INFORMATION.

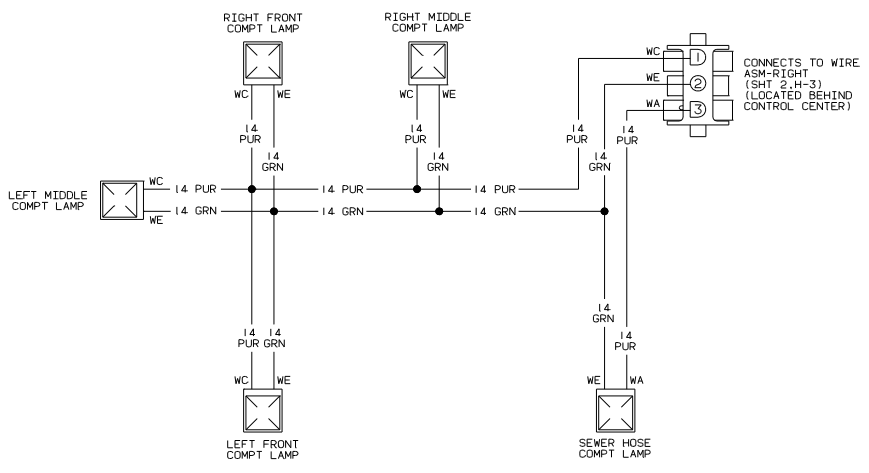
WIRING DIAGRAM-RIGHT
(WIRE ASM 118825)

96 G34R0
TITLE: WIRING DIAGRAM-BODY
SHEET 2 OF 5

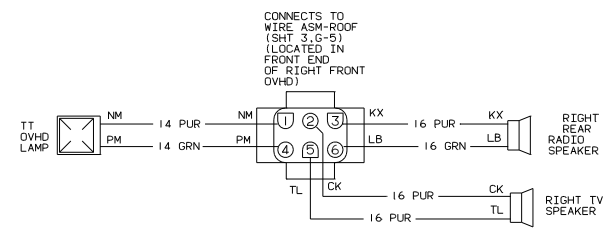


⑤ SEE MANUFACTURER'S DIAGRAM FOR ADDITIONAL INFORMATION.
 ④ SEE SHT 2,H-1 FOR ADDITIONAL THERMOSTAT WIRING.
 ③ SEE WIRING DIAGRAM-AUTO LAMPS FOR ADDITIONAL INFORMATION.
 ② W/O SLIDEOUT ONLY.
 ① WITH SLIDEOUT ONLY.

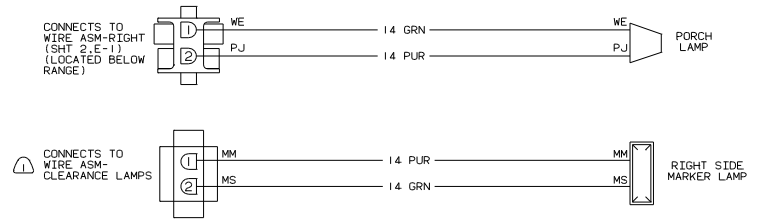




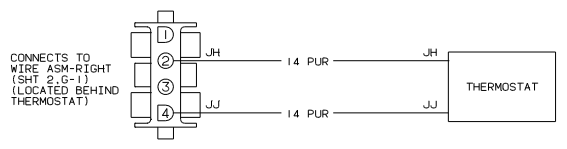
WIRING DIAGRAM-COMPT LAMPS (WIRE ASM 118828)



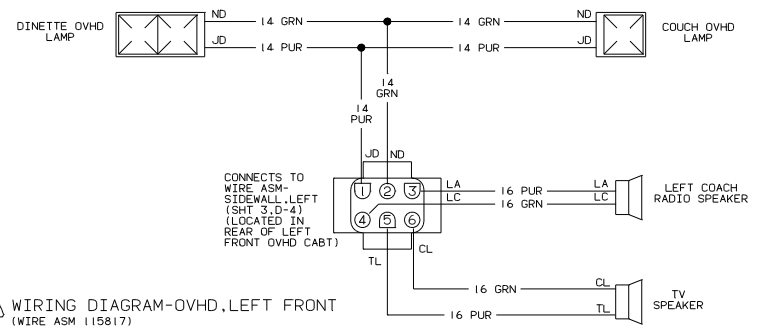
WIRING DIAGRAM-OVHD SPKRS (WIRE ASM 103330-02)



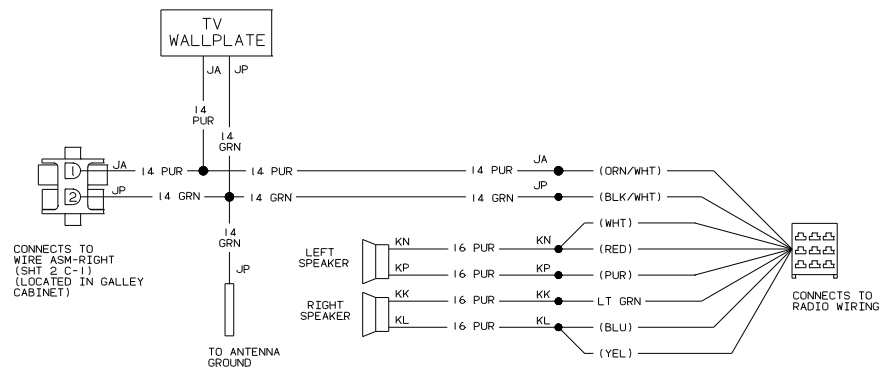
WIRING DIAGRAM-SIDEWALL,RIGHT (WIRE ASM 115829)



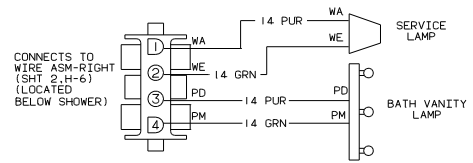
WIRING DIAGRAM-THERMOSTAT (WIRE ASM 117252) (W/O ROOF A/C)



WIRING DIAGRAM-OVHD,LEFT FRONT (WIRE ASM 115817)

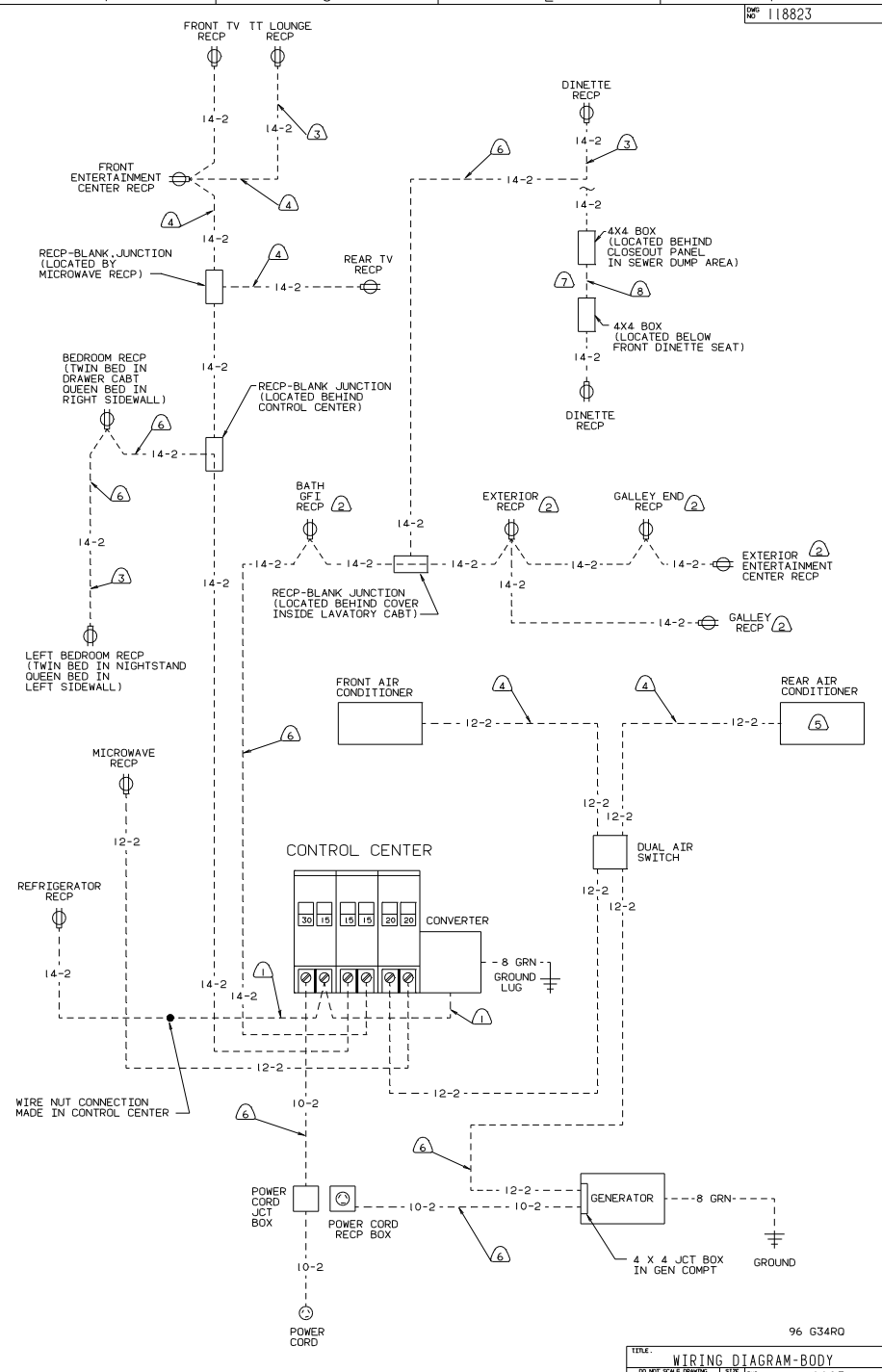
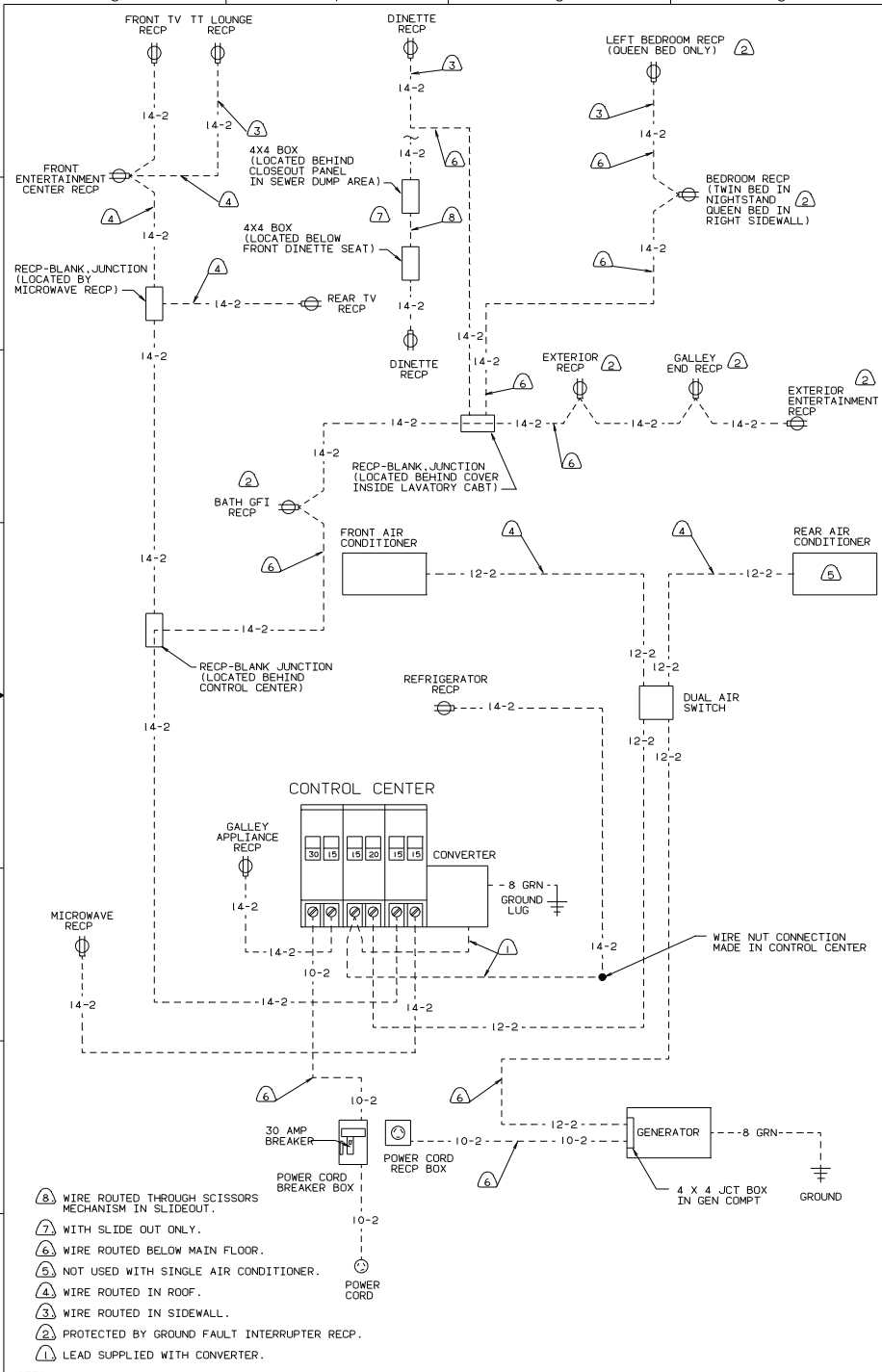


WIRING DIAGRAM-EXT ENT CTR (WIRE ASM 104900-03) (WITH EXTERIOR ENTERTAINMENT CENTER)



WIRING DIAGRAM-SIDEWALL,LEFT (WIRE ASM 111589)

NOTES: 2 W/O SLIDEOUT ONLY. 1 SEE WIRING DIAGRAM-AUTO LAMPS FOR FURTHER INFORMATION.



- 8) WIRE ROUTED THROUGH SCISSORS MECHANISM IN SLIDEOUT.
- 7) WITH SLIDE OUT ONLY.
- 6) WIRE ROUTED BELOW MAIN FLOOR.
- 5) NOT USED WITH SINGLE AIR CONDITIONER.
- 4) WIRE ROUTED IN ROOF.
- 3) WIRE ROUTED IN SIDEWALL.
- 2) PROTECTED BY GROUND FAULT INTERRUPTER RECP.
- 1) LEAD SUPPLIED WITH CONVERTER.