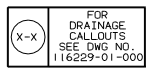
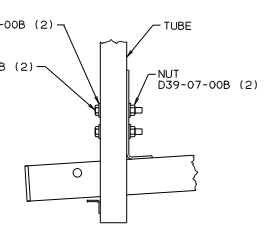
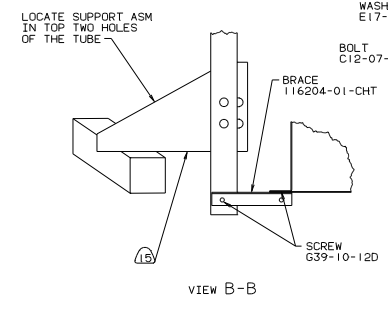
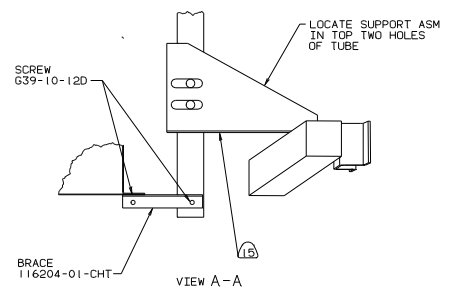
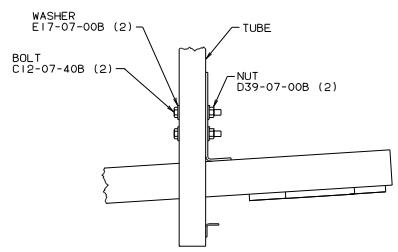
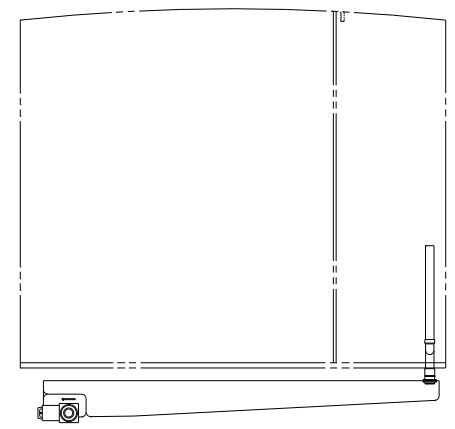
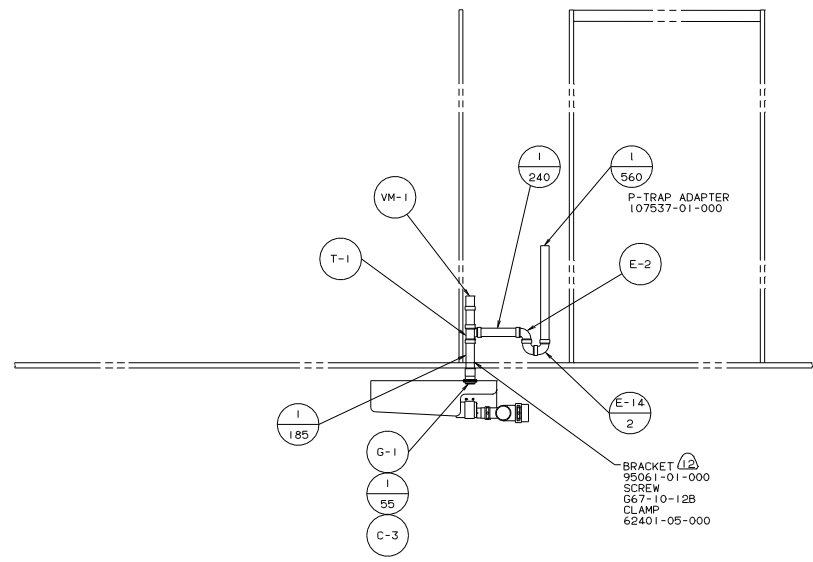


- (15) LOCATE SUPPORT ASM IN HORIZONTAL PLANE.
- (14) USE WITH CSA.
- (13) USE WITH US.
- (12) SECURE TUBE TO FLOOR.
- (11) USE WITH DISHWASHER.

- 10 SECURE VENT TUBES TO FLOOR WITH BRACKET 95061-01-000(2). CLAMP 62401-02-000. PLATE COVER 94346-03-000. SCREW G57-10-12B(2). AND STAPLE 5403-03-000.
- (9) VENT PIPE MUST PROJECT 51 MM MIN AND 63.5 MM MAX ABOVE ROOF FOR PROPER FIT AND FUNCTION.
8. SEE DWG 61607-01-000 FOR INSTL OF GROMMETS.
7. SEAL ALL AROUND SHOWER WITH SILICONE.
6. FOR CAN UNITS EACH HOLDING TANK SHALL HAVE A CSA APPROVAL STAMPED NEAR THE IAMPO APPROVAL.
5. EXPOSED PIPE ABOVE ROOF TO BE PAINTED 37163-01-000.
4. ALL EXTERIOR OPENINGS AROUND PIPE TO BE SEALED WITH 69637-01-000.
3. ALL PIPE AND FITTINGS TO BE ASSEMBLED WITH SOLVENT 4020-01-000.
2. SLOPE OF TRAP ARM MUST BE 6 PER 305.
1. SLOPE OF HORIZONTAL PIPING TO BE 6 PER 305 MIN.



WINNAGO		94 M36WQ
DATE	UNSPECIFIED TOLERANCES ARE	MATERIAL
CHRP	FRILE DIM (X)	+
P/E	ONE-PLACE (X, H)	+
N/E	TWO-PLACE (X, H)	+
CSR	ANGLE	+
CSR	SHARP ANGLE	+
CSR	PROJECTION	+
LAYOUT M36W04	TITLE:	DRAINAGE SYSTEM INSTL
ED #	SCALE	NAME
ALL DIMENSIONS ARE IN MILLIMETERS	SHEET	1 OF 2
	NO	112913



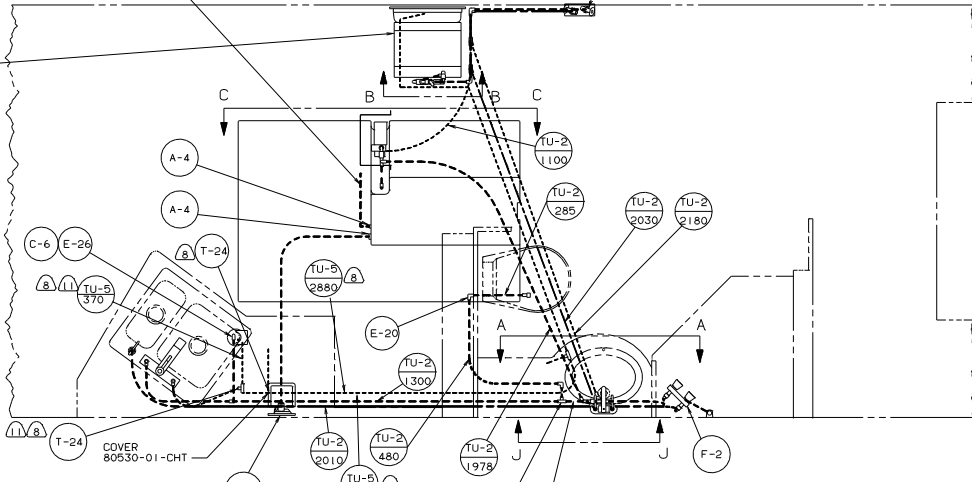
WASHER/DRYER OPTION
94 M36WQ

TITLE:		DRAWING NO.	
DRAINAGE SYSTEM INSTL		112913	
30 NET SCALE DRAWING	SHEET 2 OF 2	DATE	1.1

WATER HEATER
 51391-03-000
 51391-01-000
 DOOR
 78506-01-CHT
 GARNISH
 2726-01-210
 2726-01-212(2)
 SCREW
 639-10-(69)(18)
 SEALANT
 69637-01-000
 PLYWOOD
 860-51-282
 (270 X 270)

(TU-4) CH-1
 750 2

FAUCET-WASHER, 90°
 98419-01-000(2)
 BRACKET-FAUCET
 11842-01-CHT



SCREW
 666-08-12U(4)
 SEALANT
 LOCK ASM
 110506-02-000

FAUCET-SINK, W/STOP
 113373-01-CHT
 HANDLE-COLD
 113373-02-000
 HANDLE-HOT
 113373-03-000
 FAUCET
 103548-01-CHT(10)
 STOP
 110760-01-CHT

SHOWER HEAD
 113466-01-CHT
 BAR-GUIDE, SHOWER HEAD
 113463-01-CHT
 HOSE-SHOWER HEAD
 113465-01-CHT
 RING
 115363-01-CHT

FAUCET-SHOWER, W/CRYSTAL
 113467-01-CHT

FAUCET-GALLEY
 84101-02-CHT

FAUCET
 103635-01-000

FILTER
 87200-01-000
 SCREW
 667-10-12U(12)
 CARTRIDGE
 78200-02-000
 (LOCATED 380
 FROM EDGE OF
 SIDEWALL)

E-22
 2

TU-2
 570

TU-2
 425

TU-5
 1060

TU-2
 650

TU-2
 730

TU-5
 250

E-20

CH-1 TU-4
 2 1759

E-20

TU-2
 30

TU-2
 480

TU-5
 3250

TU-2
 2010

TU-2
 2010

TU-2
 1978

TU-2
 640

TU-2
 1100

TU-2
 285

TU-2
 2030

TU-2
 2180

TU-5
 2880

E-20

TU-5
 370

TU-5
 370

TU-5
 370

TU-5
 370

TU-5
 370

TU-5
 370

TU-5
 370

TU-5
 370

TU-5
 370

TU-5
 370

TU-5
 370

TU-5
 370

TU-5
 370

TU-5
 370

TU-5
 370

TU-5
 370

TU-5
 370

TU-5
 370

TU-5
 370

TU-5
 370

TU-5
 370

TU-5
 370

TU-5
 370

TU-5
 370

TU-5
 370

TU-5
 370

TU-5
 370

TU-5
 370

TU-5
 370

TU-5
 370

TU-5
 370

TU-5
 370

TU-5
 370

TU-5
 370

TU-5
 370

TU-5
 370

TU-5
 370

TU-5
 370

TU-5
 370

TU-5
 370

TU-5
 370

TU-5
 370

TU-5
 370

TU-5
 370

TU-5
 370

TU-5
 370

TU-5
 370

TU-5
 370

TU-5
 370

TU-5
 370

TU-5
 370

TU-5
 370

TU-5
 370

TU-5
 370

TU-5
 370

TU-5
 370

TU-5
 370

TU-5
 370

TU-5
 370

TU-5
 370

TU-5
 370

TU-5
 370

TU-5
 370

TU-5
 370

TU-5
 370

TU-5
 370

TU-5
 370

TU-5
 370

TU-5
 370

TU-5
 370

TU-5
 370

TU-5
 370

TU-5
 370

TU-5
 370

TU-5
 370

TU-5
 370

TU-5
 370

TU-5
 370

TU-5
 370

TU-5
 370

TU-5
 370

TU-5
 370

TU-5
 370

TU-5
 370

TU-5
 370

TU-5
 370

TU-5
 370

TU-5
 370

TU-5
 370

TU-5
 370

TU-5
 370

TU-5
 370

TU-5
 370

TU-5
 370

TU-5
 370

TU-5
 370

TU-5
 370

TU-5
 370

TU-5
 370

TU-5
 370

TU-5
 370

TU-5
 370

TU-5
 370

TU-5
 370

TU-5
 370

TU-5
 370

TU-5
 370

TU-5
 370

TU-5
 370

TU-5
 370

TU-5
 370

TU-5
 370

TU-5
 370

TU-5
 370

TU-5
 370

TU-5
 370

TU-5
 370

TU-5
 370

TU-5
 370

TU-5
 370

TU-5
 370

TU-5
 370

TU-5
 370

TU-5
 370

TU-5
 370

TU-5
 370

TU-5
 370

TU-5
 370

TU-5
 370

TU-5
 370

TU-5
 370

TU-5
 370

TU-5
 370

TU-5
 370

TU-5
 370

TU-5
 370

TU-5
 370

TU-5
 370

TU-5
 370

TU-5
 370

TU-5
 370

TU-5
 370

TU-5
 370

TU-5
 370

TU-5
 370

TU-5
 370

TU-5
 370

TU-5
 370

TU-5
 370

TU-5
 370

TU-5
 370

TU-5
 370

TU-5
 370

TU-5
 370

TU-5
 370

TU-5
 370

TU-5
 370

TU-5
 370

TU-5
 370

TU-5
 370

TU-5
 370

TU-5
 370

TU-5
 370

TU-5
 370

TU-5
 370

TU-5
 370

TU-5
 370

TU-5
 370

TU-5
 370

TU-5
 370

TU-5
 370

TU-5
 370

TU-5
 370

TU-5
 370

TU-5
 370

TU-5
 370

TU-5
 370

TU-5
 370

TU-5
 370

TU-5
 370

TU-5
 370

TU-5
 370

TU-5
 370

TU-5
 370

TU-5
 370

TU-5
 370

TU-5
 370

TU-5
 370

TU-5
 370

TU-5
 370

TU-5
 370

TU-5
 370

TU-5
 370

TU-5
 370

TU-5
 370

TU-5
 370

TU-5
 370

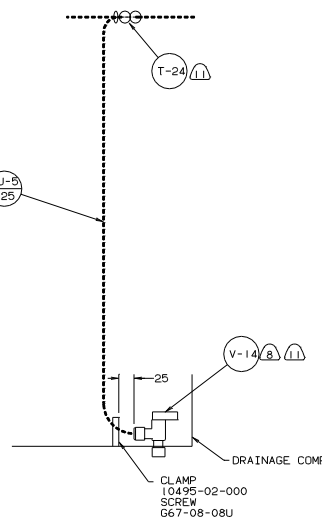
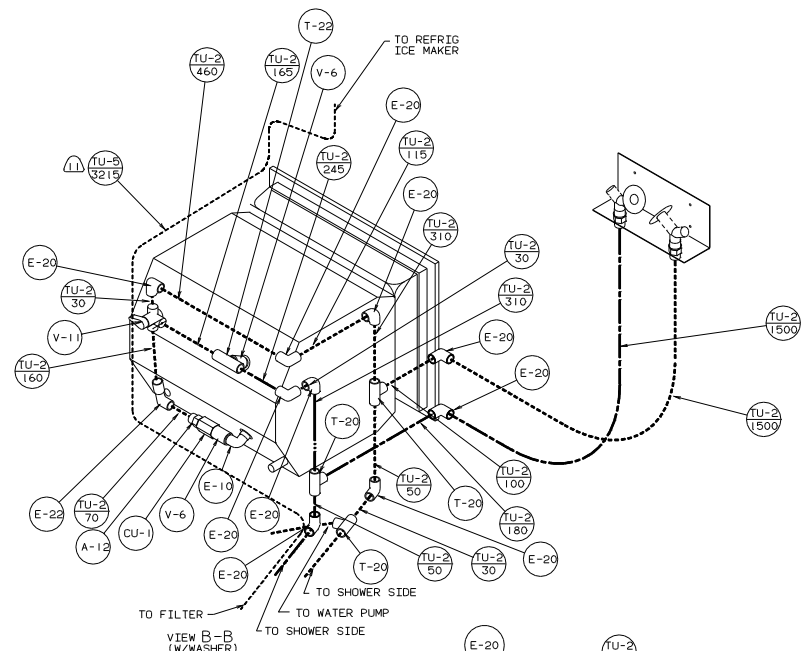
TU-5
 370

TU-5
 370

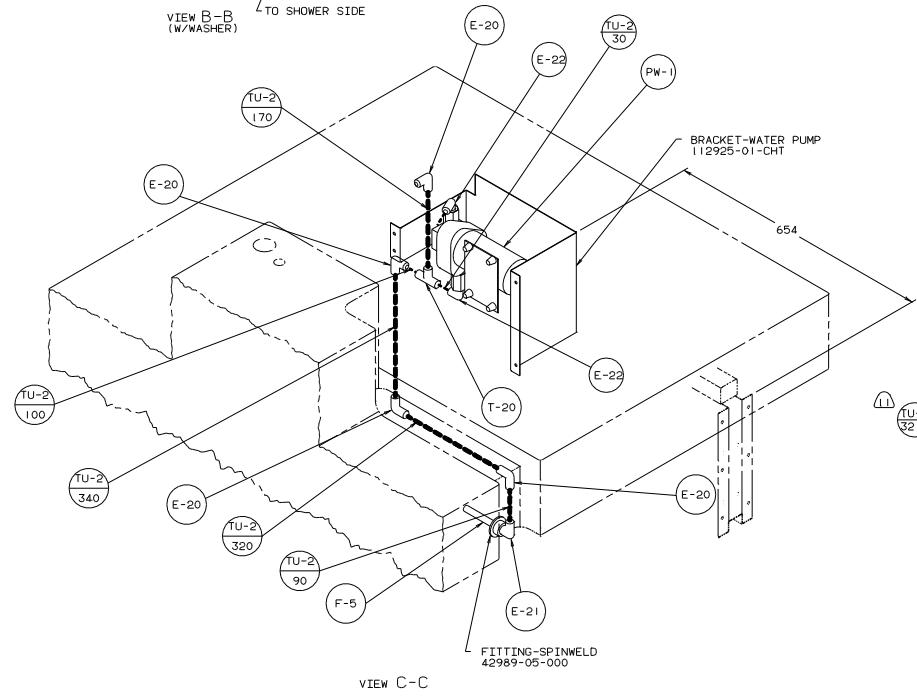
TU-5
 370

TU-5
 370

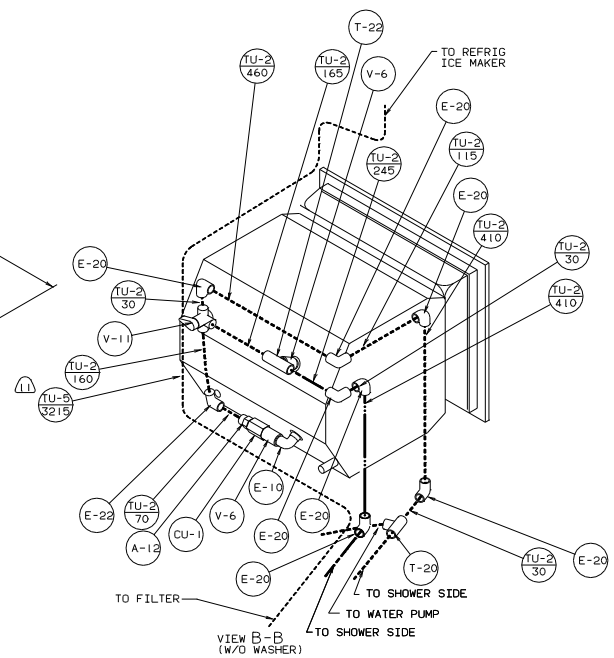
TU-5



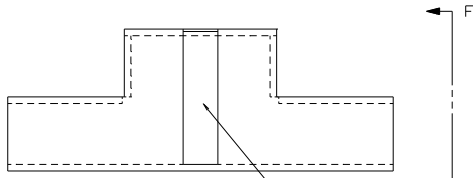
VIEW J-J



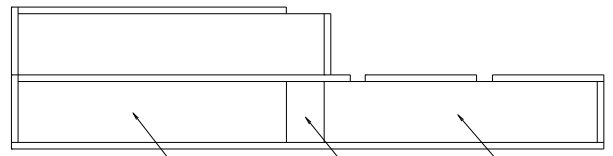
VIEW C-C



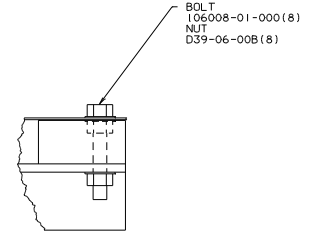
VIEW B-B (W/O WASHER)



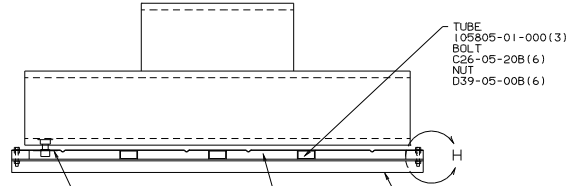
VIEW E-E
 PLATE-DOOR 105582-02-000
 SCREW G39-08-08U(4)
 STYROFOAM 868-51-009



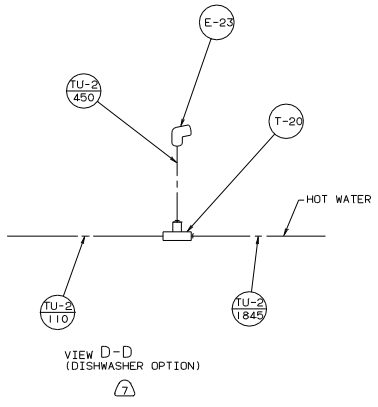
VIEW F-F
 STYROFOAM 868-51-010
 PLATE 105582-01-000
 SCREW G39-08-08U(4)
 STYROFOAM 868-51-011



DETAIL H



VIEW G-G
 PLATE 112960-01-CHT
 SCREW G11-06-06U(4)
 PLATE-BOTTOM 105536-01-000
 BOLT C12-06-16B(14)
 NUT D39-06-00B(14)
 BOLT C12-10-24B(2)
 D39-10-00B(2)
 TUBE 105805-01-000(3)
 BOLT C26-05-20B(6)
 NUT D39-05-00B(6)
 SUPPORT ASM 112961-01-CHT(4)



VIEW D-D
 (DISHWASHER OPTION)

