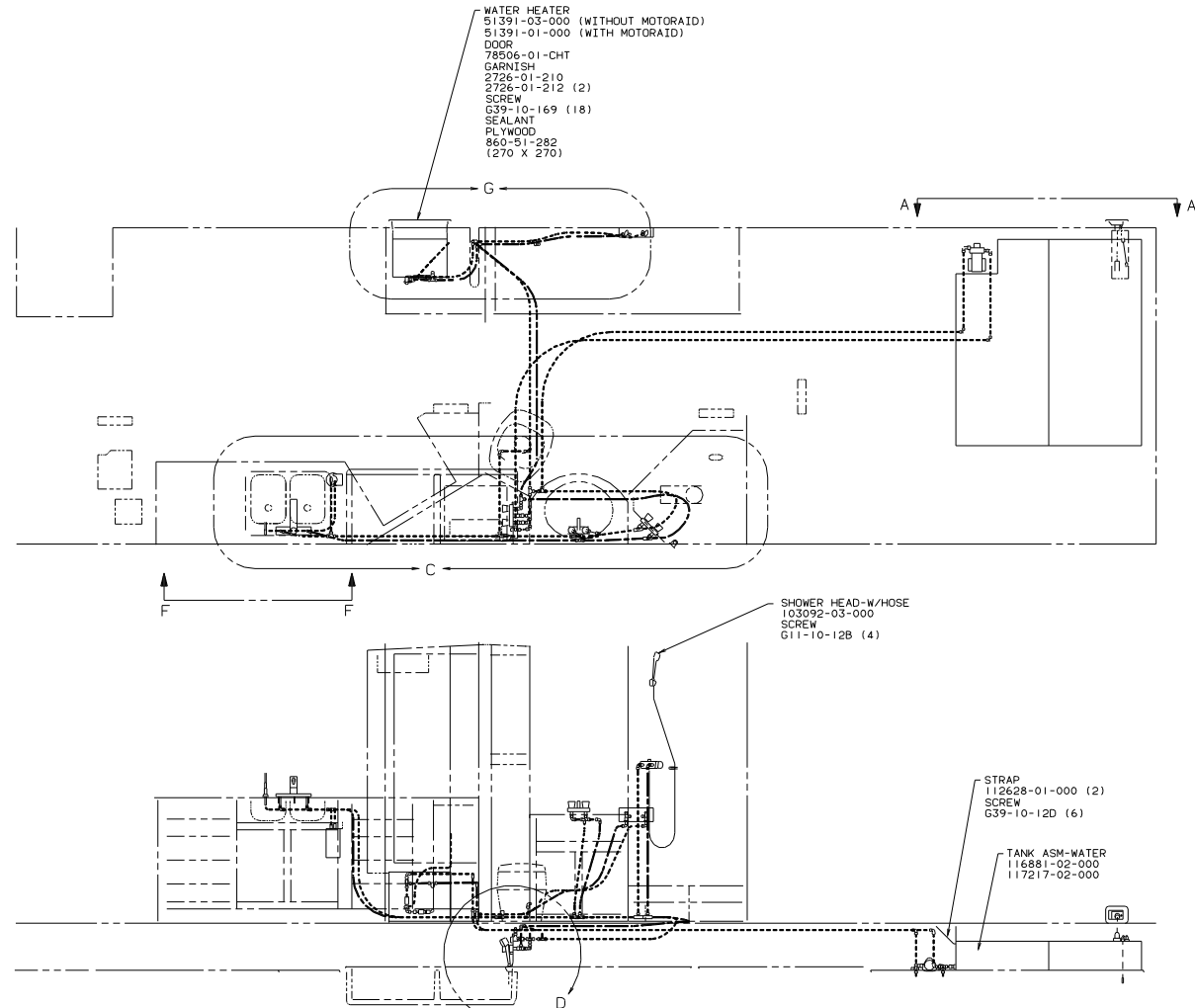


DETAIL B

WITH WASHER/DRYER

94 M37RW

TITLE: DRAINAGE SYSTEM INSIL		DATE: 11/15/06
30 NET SCALE DRAWING	FILE NO: 111556	DATE: 11/15/06
SHEET 2 OF 2		1



- 15 CLAMP MUST BE ON BARBS.
- 14 USE WITHOUT WASHER-DRYER.
- 13 USE WITH WASHER-DRYER.
- 12 USE WITHOUT REFRIGERATOR ICEMAKER.
- 11 USE WITH MOTORAID.
- 10 USE WITHOUT MOTORAID.
- 9 NOT USED WITH ICEMAKER APPLIANCE.
- 8 NOT USED WITH DISHWASHER.
- 7 SPLICE INTO COLD WATER LINE.
- 6 USE WITH REFRIGERATOR ICEMAKER.
- 5 USE WITH DISHWASHER.
- 4 USE WITH ICEMAKER APPLIANCE.

3. ALL TUBING TO BE SECURED AT 1200 INTERVALS MAX WITH CLAMP 10495-01-000 OR CLIP 91951-01-000 AND SCREW G67-10-12B.
2. TUBING TO BE INSTALLED WITH SUFFICIENT SLOPE TO PROVIDE DRAINAGE TO NEAREST VALVE.
1. PLASTIC FITTINGS TO BE SEALED WITH SEALANT 84456-01-000.

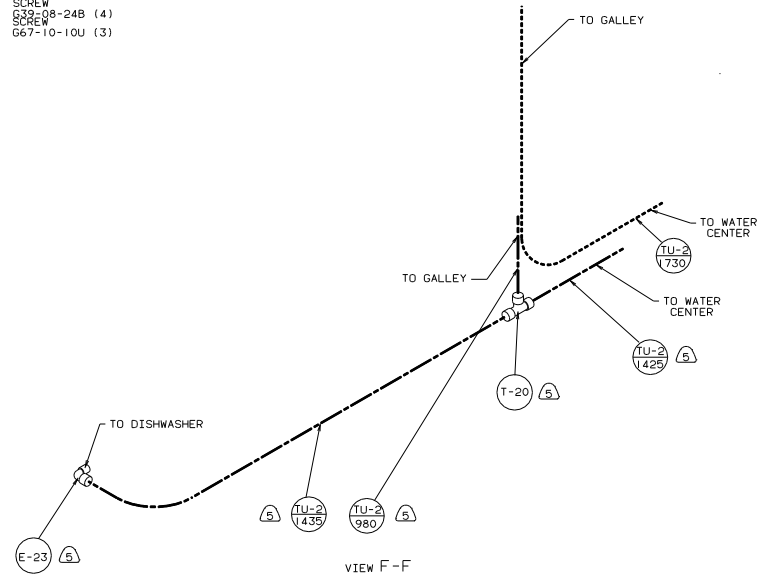
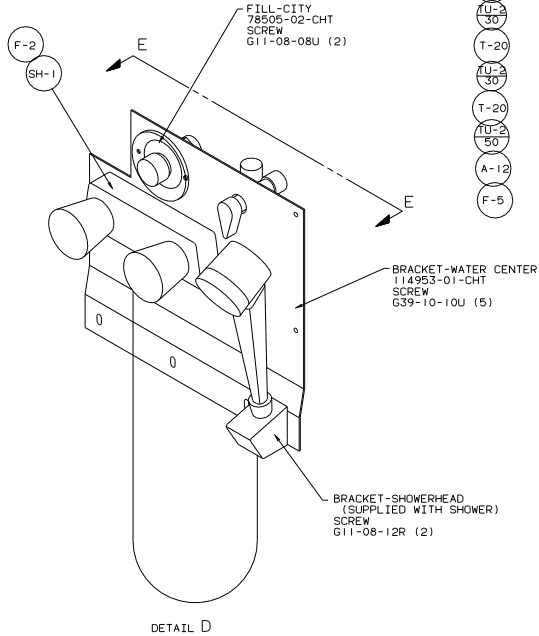
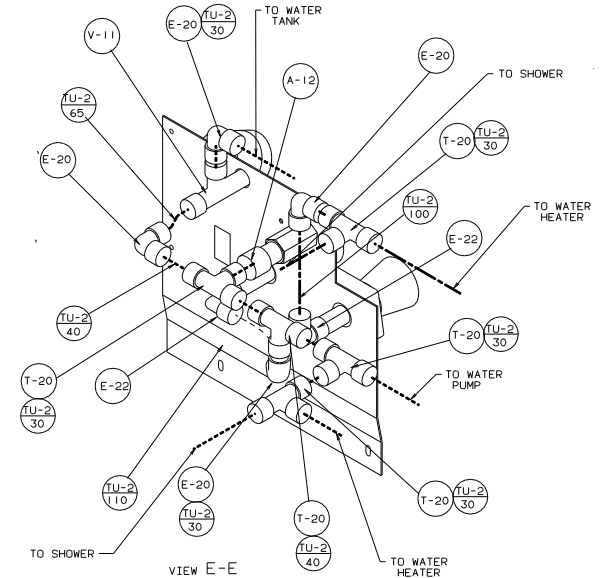
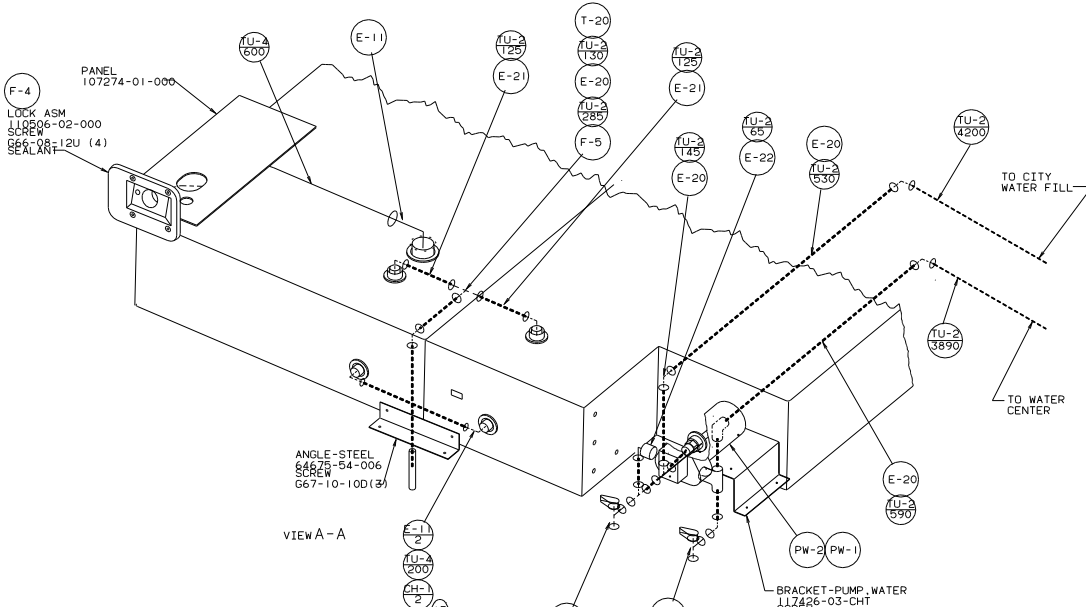
X-X FOR WATER CALLOUTS SEE DWG NO. 116230-01-000

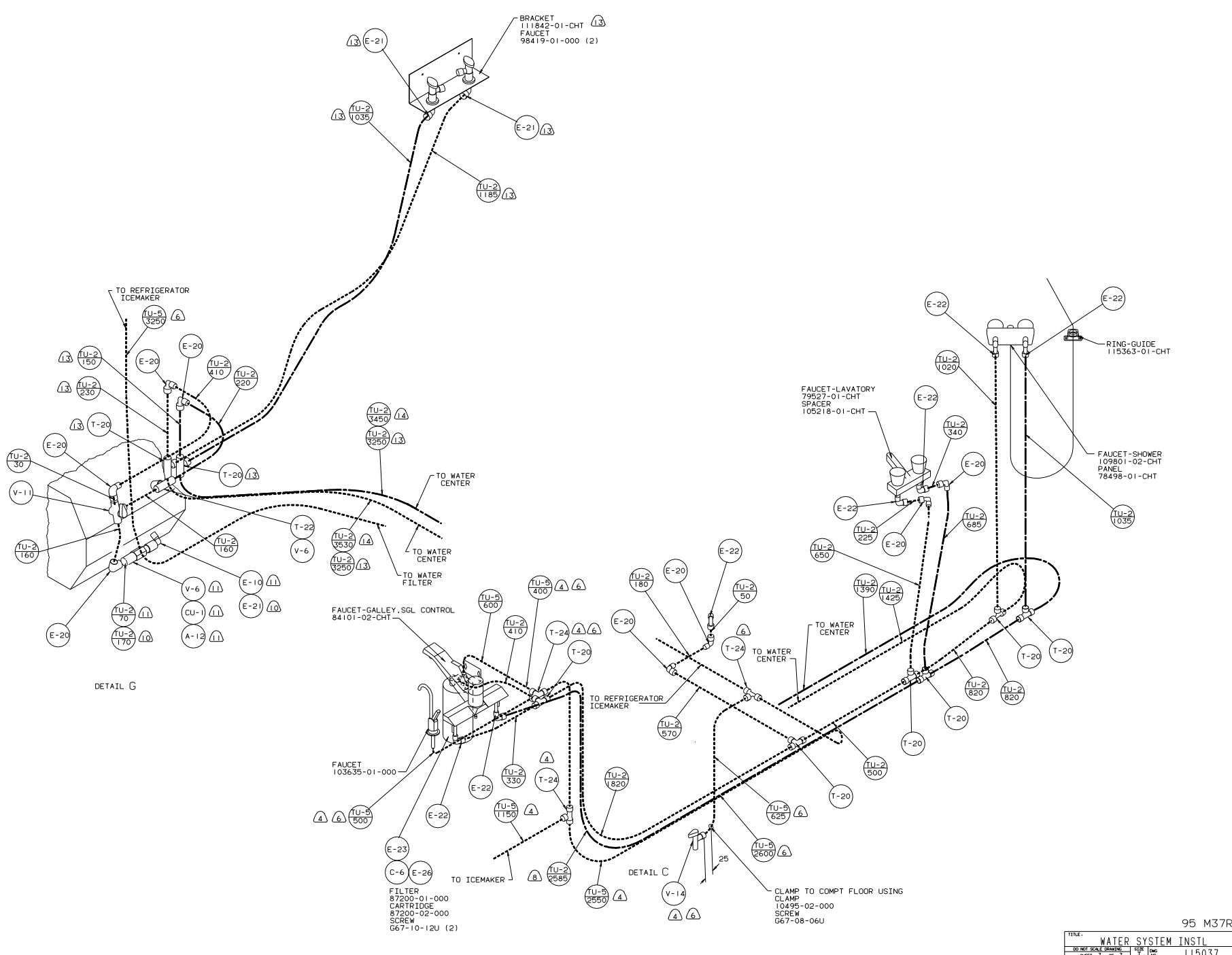
LEGEND	
HOT	—————
COLD	-----

WINNERAGO 95 M37RW

DATE	UNSPECIFIED TOLERANCES ARE:	MATERIAL
CHRP	WHOLE DIM 1/8"	
F/F	ONE-PLACE 1/8"	
F/E	TWO-PLACE 1/8"	
F/C	ANGLE	
CDR	THRU HOLE PROJECTION	

LANE# M37RW5 TITLE: WATER SYSTEM INSTL
 DIA # SCALE: NONE 3D NET SCALE DRAWING SHEET 1 OF 3
 ALL DIMENSIONS ARE IN MILLIMETERS REF: 111623 115037





BRACKET
111842-01-CHT
FAUCET
98419-01-000 (2)

FAUCET-LAVATORY
79527-01-CHT
SPACER
105218-01-CHT

RING-GUIDE
115363-01-CHT

FAUCET-SHOWER
109801-02-CHT
PANEL
78498-01-CHT

FAUCET-GALLEY, SGL CONTROL
84101-02-CHT

FAUCET
103635-01-000

FILTER
87200-01-000
CARTRIDGE
87200-02-000
SCREW
G67-10-12U (2)

CLAMP TO COMPT FLOOR USING
CLAMP
10495-02-000
SCREW
G67-08-06U