

- (9) OPTIONAL TOILET.
  - (8) SECURE VENT TUBES TO FLOOR.
  - (7) VENT PIPE MUST BE PROJECTED 51 TO 64 MAXIMUM ABOVE ROOF FOR PROPER FIT AND FUNCTION.
  - (6) SEE DRAWING 61607-01-000 FOR INSTALLATION OF GROMMET.
5. SEAL ALL AROUND SHOWER WITH SILICONE 78474-01-CHT.
  4. FOR CANADIAN UNITS EACH HOLDING TANK SHALL HAVE A CSA APPROVAL STAMPED NEAR IAPMO APPROVAL.
  3. ALL PIPE AND FITTINGS TO BE ASSEMBLED WITH SOLVENT 4020-01-000.
  2. SLOPE OF TRAP MUST BE 6 PER 300 MINIMUM.
  1. SLOPE OF HORIZONTAL PIPING TO BE 6 PER 300 MINIMUM.

(X-X) FOR DRAINAGE CALLOUTS SEE DWG NO. 116229-01-000

<b>WINNEBAGO</b>		94 M35RQ
DATE	UNSPECIFIED TOLERANCES ARE	MATERIAL
CHP	WHILE SHIP	3
P/E	ONE-PLACE OR 21	
M/E	TWO-PLACE OR 2001	
W/E	ASSEMBLY	
CDR	SHIP-WARE PROTECTION	
LAYOUT M35R03	TITLE: DRAINAGE SYSTEM INSTL	
ED #	SCALE	NAME
NO	DO NOT SCALE DIMENSIONS	DATE
ALL DIMENSIONS ARE IN MILLIMETERS	SHEET 1	OF 2
	REV	NO
	1	111815

FRONT AXLE

C

C

TANK

DETAIL B

40 C-3 55

E-6

170

E-15

VM-1

330

440

T-1

100

G-1

765

P-4

30

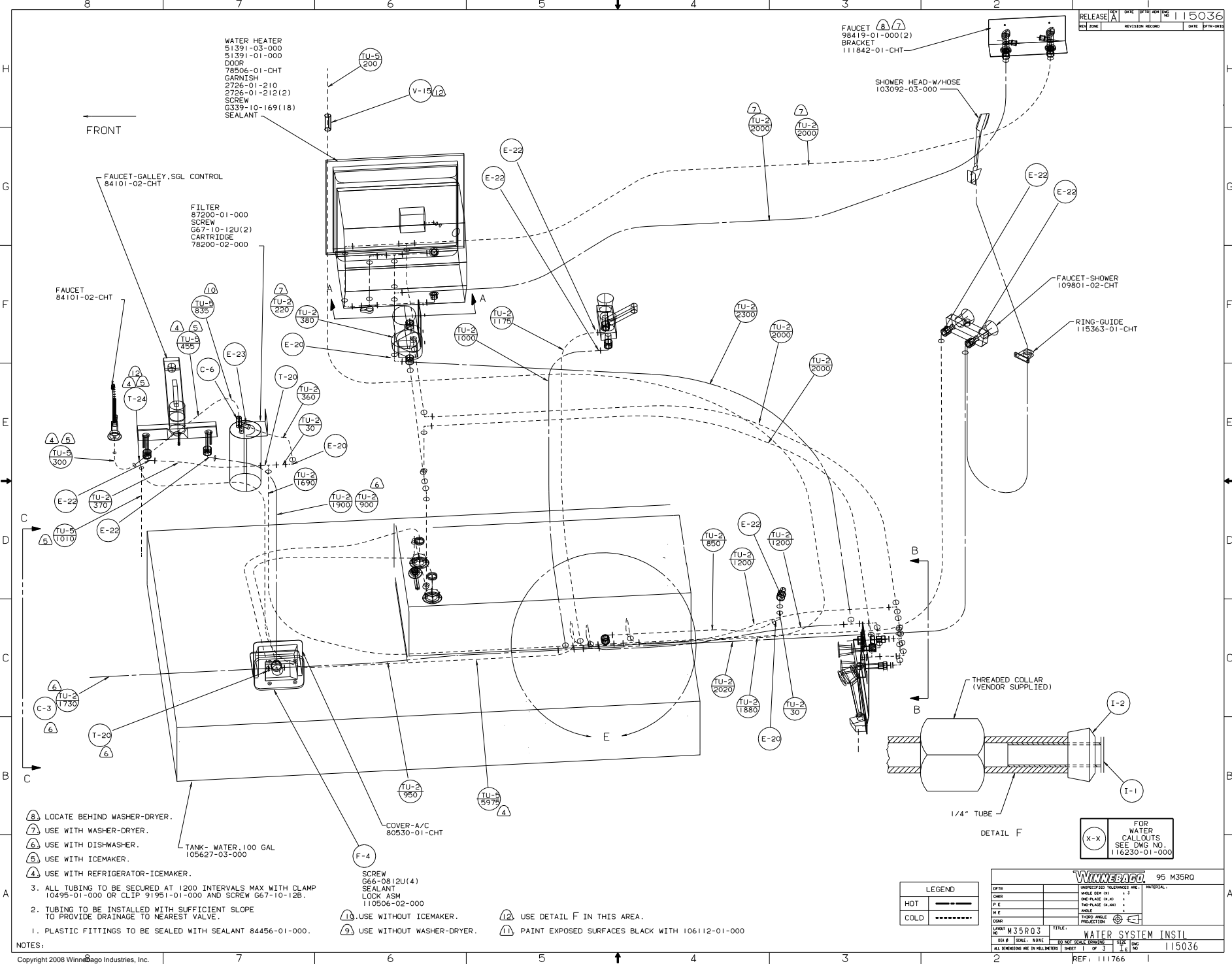
E-6

WITH WASHER/DRYER

94 M37RW

VIEW C-C

TITLE: DRAINAGE SYSTEM INSTL		DATE: 11/11/08
30 NET SCALE DRAWING	FILE NO: 111815	DATE: 11/11/08
SHEET 2 OF 2	1 E	



WATER HEATER  
 51391-03-000  
 51391-01-000  
 DOOR  
 78506-01-CHT  
 GARNISH  
 2726-01-210  
 2726-01-212(2)  
 SCREW  
 G339-10-169(18)  
 SEALANT

FAUCET (8, 7)  
 98419-01-000(2)  
 BRACKET  
 111842-01-CHT

SHOWER HEAD-W/HOSE  
 103092-03-000

FILTER  
 87200-01-000  
 SCREW  
 G67-10-12U(2)  
 CARTRIDGE  
 78200-02-000

FAUCET  
 84101-02-CHT

FAUCET-SHOWER  
 109801-02-CHT

RING-GUIDE  
 115363-01-CHT

TANK- WATER, 100 GAL  
 105627-03-000

COVER-A/C  
 80530-01-CHT

THREADED COLLAR  
 (VENDOR SUPPLIED)

1/4" TUBE

(X-X) FOR WATER CALLOUTS SEE DWG NO. 116230-01-000

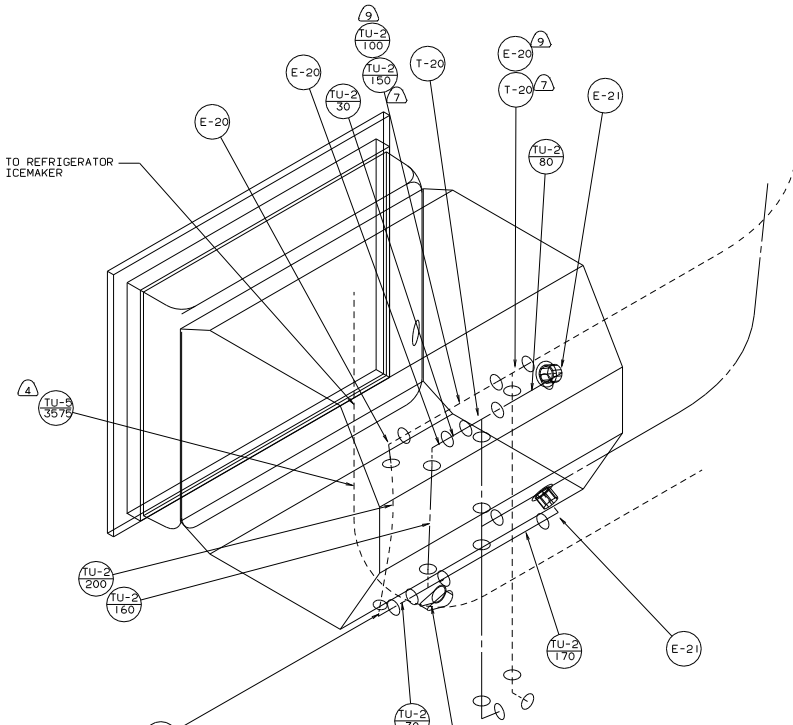
LEGEND	
HOT	-----
COLD	-----

1. PLASTIC FITTINGS TO BE SEALED WITH SEALANT 84456-01-000.
2. TUBING TO BE INSTALLED WITH SUFFICIENT SLOPE TO PROVIDE DRAINAGE TO NEAREST VALVE.
3. ALL TUBING TO BE SECURED AT 1200 INTERVALS MAX WITH CLAMP 10495-01-000 OR CLIP 91951-01-000 AND SCREW G67-10-12B.

SCREW  
 G66-0812U(4)  
 SEALANT  
 LOCK ASM  
 110506-02-000

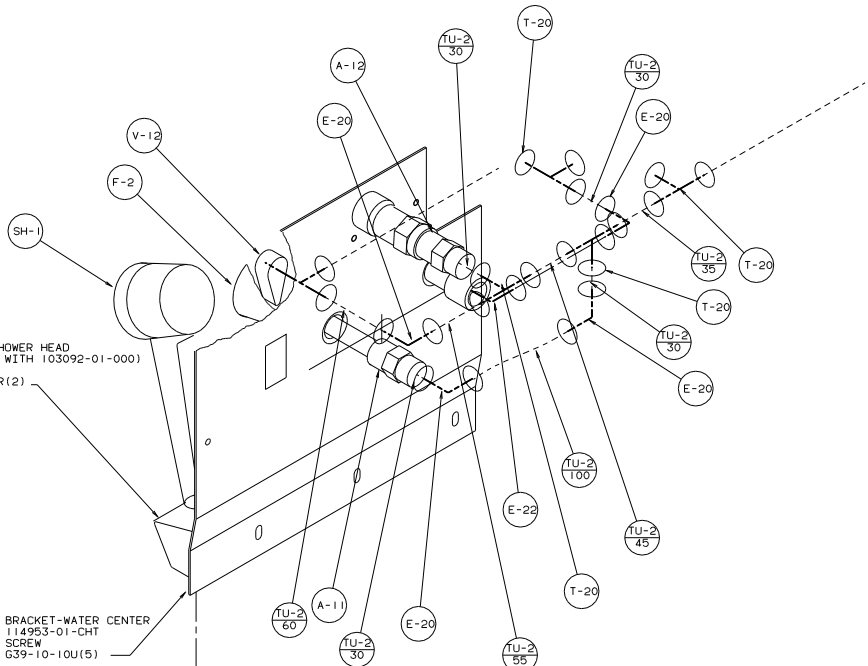
- (10) USE WITHOUT ICEMAKER.
- (11) PAINT EXPOSED SURFACES BLACK WITH 106112-01-000
- (12) USE DETAIL F IN THIS AREA.

WINNENAGO 95 M35R0	
UNPROCESSED TOLERANCES ARE:	MATERIAL:
DRYER	ANGLE SHIP (1) + 3
COND	ONE-PIECE (1) 1.01 +
P.F.E	TWO-PIECE (1) 1.01 +
P.L.E	ANGLE
COND	THIRD ANGLE PROJECTION
LAYER# M35R03	TITLE# WATER SYSTEM INSTL
ISS #	SCALE: NONE
ALL DIMENSIONS ARE IN MILLIMETERS	SHEET 1 OF 3
REF: 111766	115036



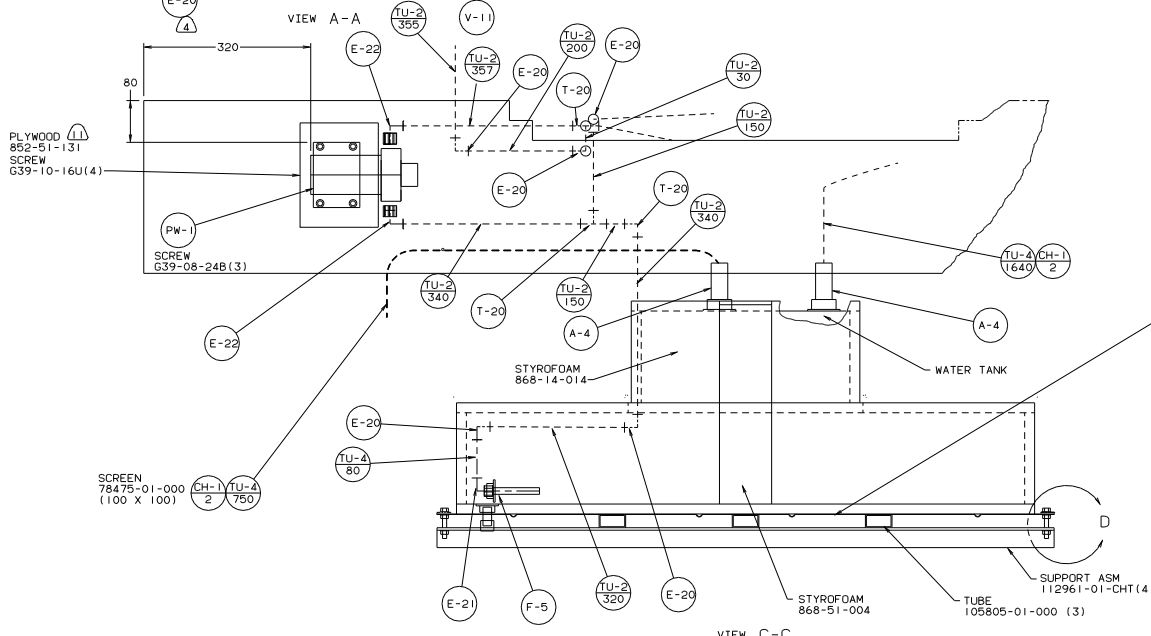
BRACKET-SHOWER HEAD  
(SUPPLIED WITH 103092-01-000)  
SCREW  
G11-08-12R(2)

BRACKET-WATER CENTER  
114953-01-CHT  
SCREW  
G39-10-10U(5)

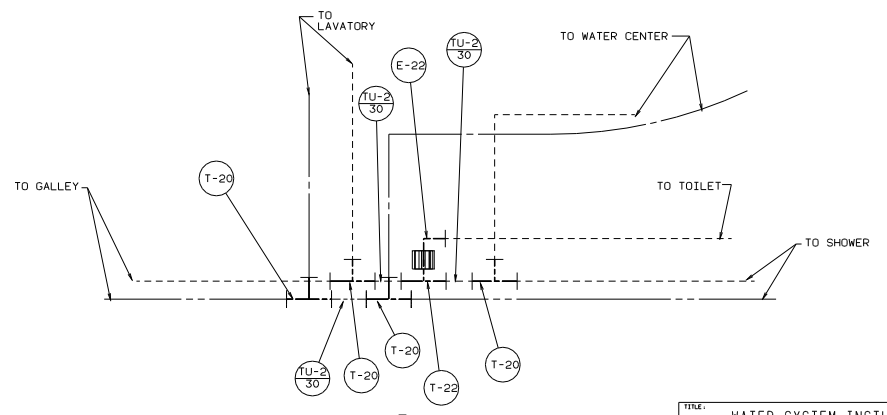
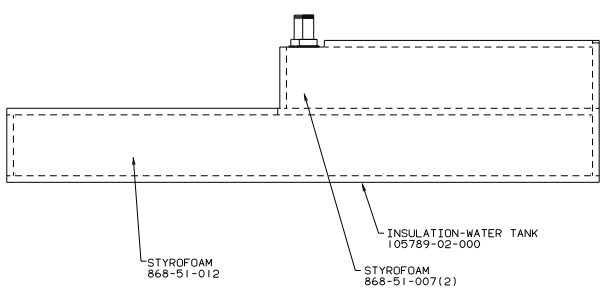
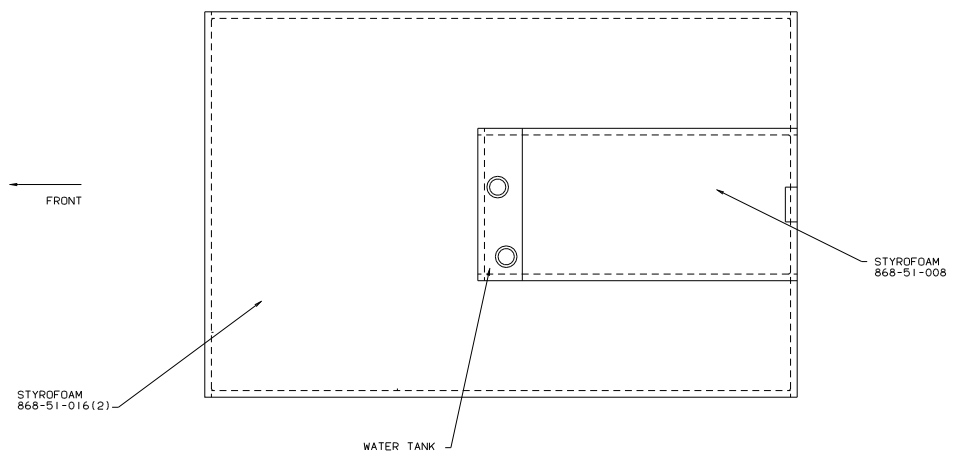
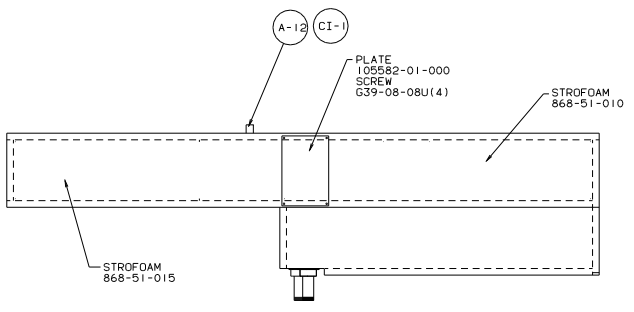


VIEW B-B

VIEW A-A



TITLE: WATER SYSTEM INSTL	
30 MIL SCALE DRAWING	REV 1
SHEET 2 OF 3	DATE 11/03/06



DETAIL E

TITLE: WATER SYSTEM INSTL	
30 NET SCALE DRAWING	SIZE 11E
SHEET 3 OF 3	NO 115036