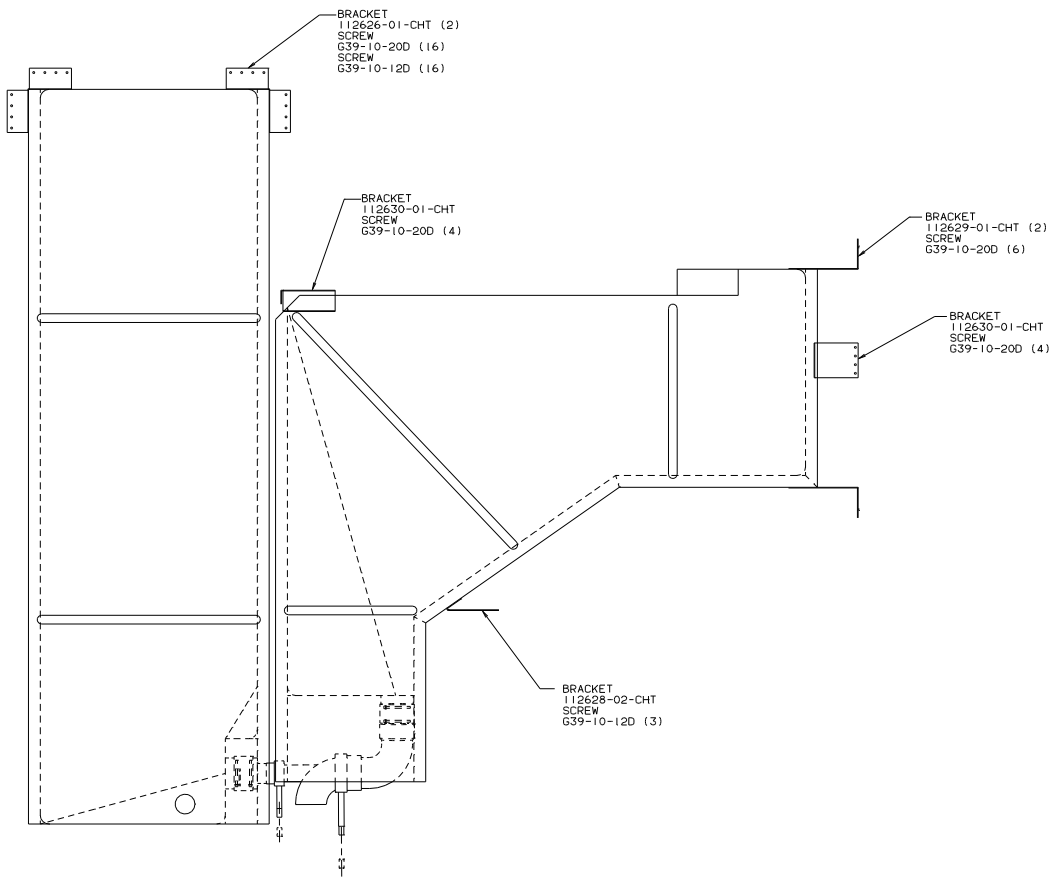
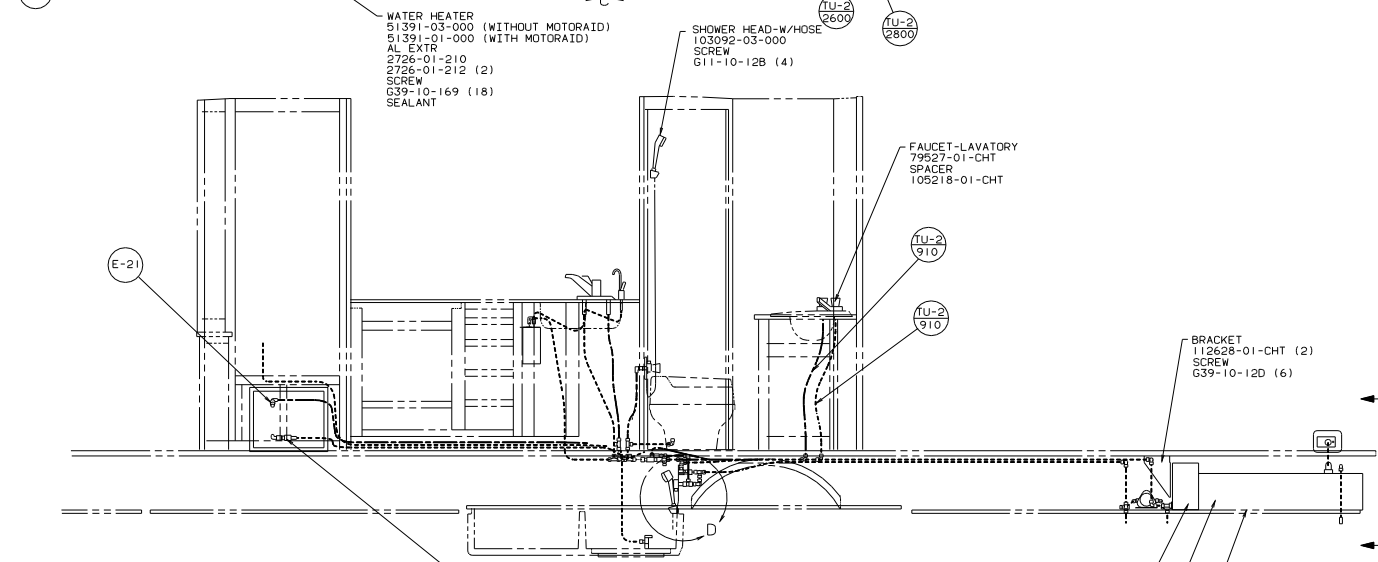
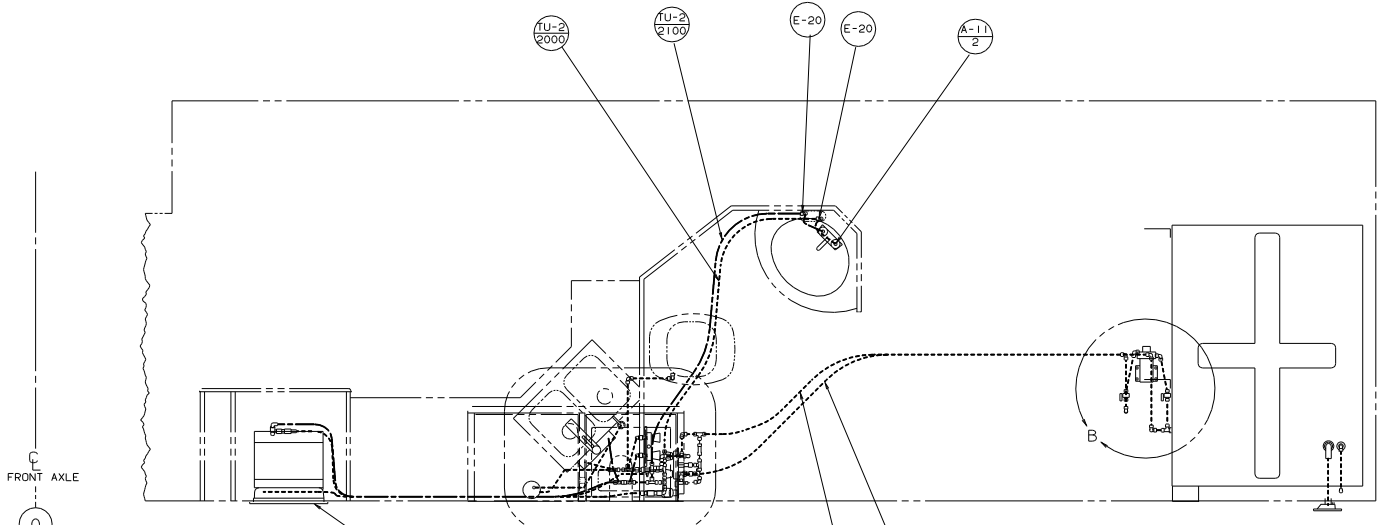


NO	PART NUMBER	DESCRIPTION
2	010197-01-000	PIPE-3"
	010197-02-000	PIPE-3" BLK CSA
1	010195-01-000	PIPE-1 1/2"
	010195-02-000	PIPE-1 1/2" CSA
Y-1	010073-01-000	WYE-1 1/2" X 45" H X H X H
W-3	011091-03-000	CONTINUOUS WASTE 1 1/4" CSA
W-2	011091-02-000	CONTINUOUS WASTE 1 1/4"
W-1	011091-01-000	CONTINUOUS WASTE 1 1/4"
VM-1	079968-01-000	VENT-MECHANICAL
V-8	070916-02-000	VALVE-DUAL 3" & 1 1/2"
V-7	062418-01-000	VALVE-3", W/HANDLE
V-6	062418-02-000	VALVE-3" W/O HANDLE
V-5	082696-01-000	VALVE-3"
V-4	062421-02-000	VALVE-1 1/2" W/O HANDLE
V-3	062421-01-000	VALVE-1 1/2" W/HANDLE
V-2	082695-01-000	VALVE-1 1/2"
V-1	070916-01-000	VALVE-DUAL 3" & 1 1/2"
T-3	010071-02-000	TEE-PLAS 1 1/2 W/BAFFLE
T-2	031365-01-000	TEE-PLAS, 3X3X1 1/2 EXT LG TUR
T-1	010071-01-000	TEE-1 1/2" X 1 1/2" X 1 1/2"
PL-3	010168-01-000	PLUG-1 1/2
PL-2	010166-02-000	PLUG-1 1/4" MPT CSA
PL-1	010166-01-000	PLUG-1 1/4" MPT
P-3	011071-01-000	P-TRAP-CANADA-GALLEY
P-2	107538-01-000	P-TRAP-PLAS 1/2" W/EXT ARM
P-1	011066-01-000	P-TRAP-1 1/4" & 1 1/2" CSA
N-4	010129-04-000	NIPPLE-PLAS 3" X 7 5/8" TOE
N-3	010129-03-000	NIPPLE-PLAS 3" X 3" TOE
N-2	010129-01-000	NIPPLE-PLAS 3" X 2 5/8" TOE
N-1	102024-01-000	NIPPLE-PLAS 1 1/2" X 2 5/8" TOE
H-2	010201-02-000	HOSE SEWER 3" ID X 20 FT
H-1	010201-01-000	HOSE SEWER 3" ID X 10 FT
G-2	061607-02-000	GROMMET
G-1	061607-01-000	GROMMET
F-6	063641-02-000	FLANGE-CLOSET 4" X 3"
F-5	063641-01-000	FLANGE-CLOSET 4" X 3"
F-4	024676-02-000	FLANGE-CLOSET 4" X 3"
F-3	024676-01-000	FLANGE-CLOSET 4" X 3"
F-2	010147-02-000	FLANGE-CLOSET 4" X 3" FPT
F-1	010147-01-000	FLANGE-CLOSET 4" X 3" FPT
E-5	010005-01-000	ELBOW-PLAS 1/16 BD 1 1/2X22 1/2
E-14	010009-01-000	ELBOW-ST-PLAS 1/4 BD 1 1/2 X 90
E-13	031126-01-000	ELBOW 3" X EXTRA LONG TURN
E-12	037101-01-000	ELBOW-90" SHORT TURN
E-11	041956-01-000	ELBOW-3" X 90 EXTRA LONG TURN
E-10	010061-01-000	ELBOW-3" X 45" S
E-9	010024-01-000	ELBOW-3" X 45"
E-8	010025-01-000	ELBOW-3" X LONG TURN
E-7	010023-01-000	ELBOW-PLAS, ST 1/16BD 3 X 22.5"
E-6	010008-01-000	ELBOW-1 1/2" X 90 EXT LG TURN
E-5	010051-01-000	ELBOW-1 1/2" X 45" S
E-3	033761-01-000	ELBOW-1 1/2" X 90 EXT LG STREET
E-2	034250-01-000	ELBOW-1 1/2" X 90" LONG TURN
E-1	010006-01-000	ELBOW-PLAS-1/8BD 1 1/2X45 HHX
CP-2	089069-01-CHT	CAP ASM-VENT PIPE, ROOF
CP-1	062415-01-000	CAP-SEWER 3"
C-3	010115-01-000	COUPLING-1 1/2" X 1 1/2"
C-2	078406-01-000	COUPLER-RUBBER 3" X 3"
C-1	010117-01-000	COUPLER-3 H X H
B-1	010123-01-000	BUSHING-2" X 1 1/2"
A-8	019571-01-000	ADAPTER-1 1/2" X 1 1/4" MPT
A-6	062416-01-000	HOSE-ADAPTER-3"
A-5	033302-01-000	ADAPTER 1 1/2"
A-4	062417-01-000	ADAPTER-3"
A-3	093592-01-000	ADAPTER-SEWER HOSE 45°
A-2	109450-01-000	ADAPTER-PLAS HOSE, SEWER
A-1	062422-01-000	ADAPTER-OFFSET REDUCER 3 X 1 1/2"

- OPTIONAL TOILET.
- SECURE VENT TUBES TO FLOOR WITH BRACKET 95061-01-000(2), CLAMP 62401-02-000, PLATE COVER 9436-03-000, SCREW G67-10-12B(2), AND STAPLE 5403-03-000.
  - VENT PIPE MUST PROJECT 51 MM MIN AND 63.5 MM MAX ABOVE ROOF FOR PROPER FIT AND FUNCTION.
  - SEE DWG 61607-01-000 FOR INSTL OF GROMMETS.
  - SEAL ALL AROUND SHOWER WITH SILICONE.
  - FOR CAN UNITS EACH HOLDING TANK SHALL HAVE A CSA APPROVAL STAMPED NEAR THE IAMPO APPROVAL.
  - EXPOSED PIPE ABOVE ROOF TO BE PAINTED 37163-01-000.
  - ALL EXTERIOR OPENINGS AROUND PIPE TO BE SEALED WITH 110744-01-000.
  - ALL PIPE AND FITTINGS TO BE ASSEMBLED WITH SOLVENT 4020-01-000.
  - SLOPE OF TRAP ARM MUST BE 6 PER 300 MINIMUM.
  - SLOPE OF HORIZONTAL PIPING TO BE 6 PER 300 MINIMUM.



VIEW C-C



- ⑩ PRESS INTO FITTING AND THREAD IN TANK.
  - ⑨ USE WITH REFRIGERATOR ICEMAKER.
  - ⑧ USE WITHOUT REFRIGERATOR ICEMAKER.
  - ⑦ USE WITHOUT MOTOR AID.
  - ⑥ USE WITH MOTOR AID.
  - ⑤ USE WITHOUT EXTERIOR SHOWER.
  - ④ USE WITH EXTERIOR SHOWER.
3. ALL TUBING TO BE SECURED AT 1200 INTERVALS MAX WITH CLAMP 10495-01-000 OR CLIP 91951-01-000 AND SCREW G67-10-12B.
2. TUBING TO BE INSTALLED WITH SUFFICIENT SLOPE TO PROVIDE DRAINAGE TO NEAREST VALVE.
1. PLASTIC FITTINGS TO BE SEALED WITH SEALANT 84456-01-000.

- E-21 ⑦
- E-10 ⑥
- V-6 ⑥
- CU-1 ⑥
- A-12 ⑥

LEGEND	
HOT	—————
COLD	-----

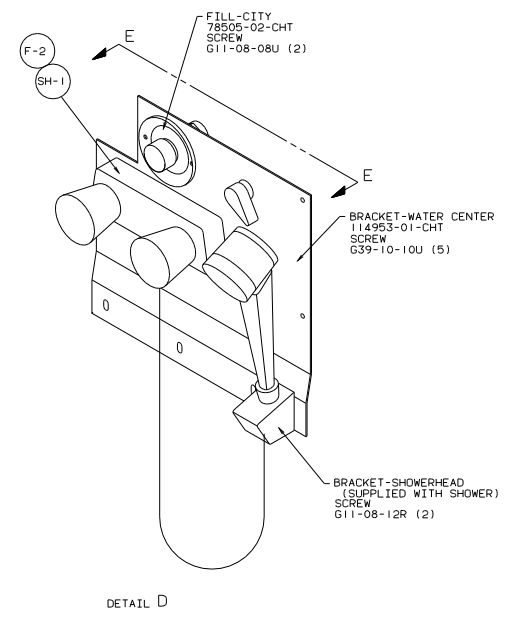
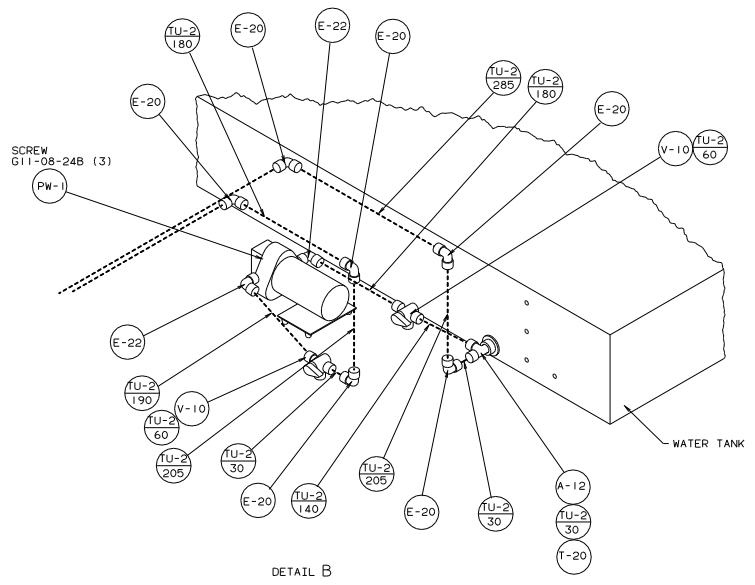
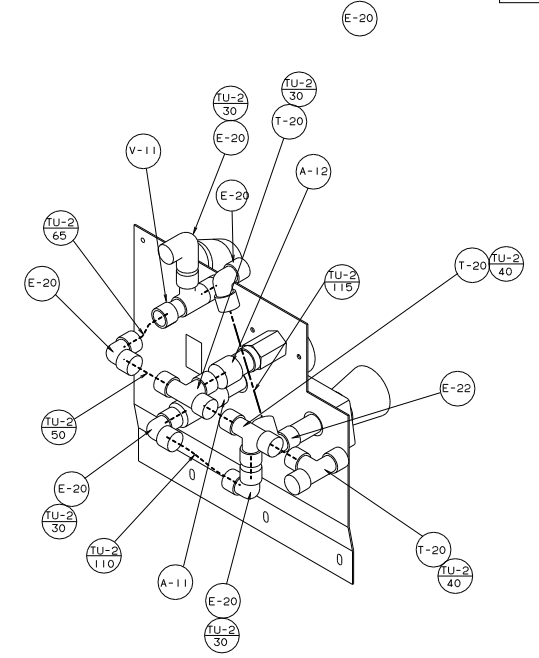
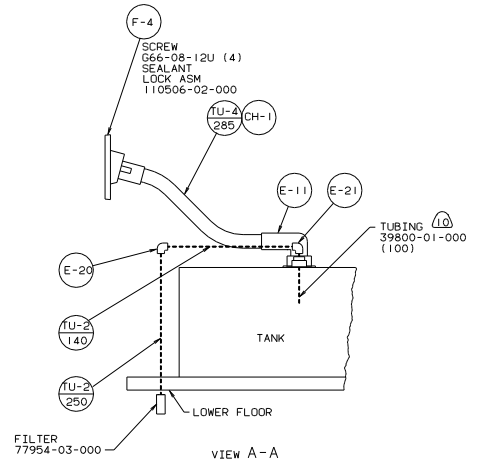


**WINNEGAGO** 95 M34RA

DATE	UNSPECIFIED TOLERANCES ARE:	MATERIAL
CHG#	WHOLE DIM (IN)	1/4
DATE	ONE-PLACE (IN.XI)	1/16
DATE	TWO-PLACE (IN.XXX)	1/32
DATE	THREE-PLACE (IN.XXXX)	1/64
DATE	FOUR-PLACE (IN.XXXXX)	1/128
DATE	FIVE-PLACE (IN.XXXXXX)	1/256
DATE	SIX-PLACE (IN.XXXXXXX)	1/512
DATE	SEVEN-PLACE (IN.XXXXXXX)	1/1024
DATE	EIGHT-PLACE (IN.XXXXXXX)	1/2048
DATE	NINE-PLACE (IN.XXXXXXX)	1/4096
DATE	TEN-PLACE (IN.XXXXXXX)	1/8192
DATE	ELEVEN-PLACE (IN.XXXXXXX)	1/16384
DATE	TWELVE-PLACE (IN.XXXXXXX)	1/32768

LANE# M34RA5 TITLE: WATER SYSTEM INSTL  
 DIA # SCALE: NONE 30 NET SCALE DRAWING SHEET 1 OF 3  
 ALL DIMENSIONS ARE IN MILLIMETERS SHEET 1 OF 3

REF: 109949 | 115035



TITLE		95 M34RA	
WATER SYSTEM INSTL			
30 NET SCALE DRAWING	SIZE	DATE	REV
SHEET 2 OF 3	1.6		115035

FAUCET-GALLEY, SGL CONTROL  
84101-02-000

FAUCET  
103635-01-000

FAUCET-SHOWER  
109801-02-CHT

RING-GUIDE  
115363-01-CHT

FILTER  
87200-01-000  
CARTRIDGE  
87200-02-000  
SCREW  
G67-10-12U (2)

TO REFRIGERATOR  
ICEMAKER

TO WATER  
HEATER

CLAMP TO COMPT FLOOR USING  
CLAMP  
10495-02-000  
SCREW  
667-08-06U

DETAIL C

TO EXTERIOR SHOWER

TO EXTERIOR SHOWER  
AND WATER PUMP

TO LAVATORY SINK

TITLE: WATER SYSTEM INSTL	
30 MIL SCALE DRAWING	REV 1.0
SHEET 3 OF 3	DATE 115035