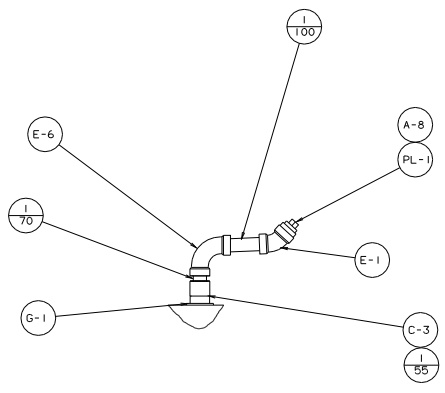


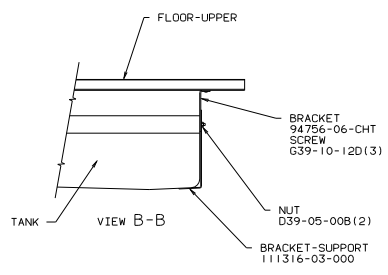
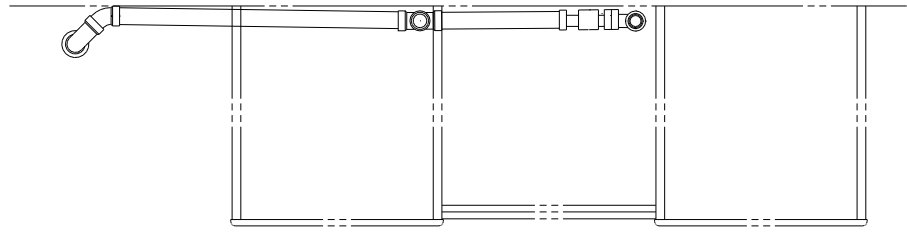
- ⑫ NOT USED ON CSA UNIT.
 ⑪ STAPLE TO TOP OF FLOOR.
 10. SECURE VENT TUBES TO FLOOR WITH BRACKET 95061-01-000(2), CLAMP 62401-02-000, PLATE COVER 94346-03-000, SCREW 667-10-12B(2), AND STAPLE 5403-03-000.
 ⑬ VENT PIPE MUST PROJECT 51 MM MIN AND 63.5 MM MAX ABOVE ROOF FOR PROPER FIT AND FUNCTION.
 8. SEE DWG 61607-01-000 FOR INSTL OF GROMMETS.
 7. SEAL ALL AROUND SHOWER WITH SILICONE.
 6. FOR CAN UNITS EACH HOLDING TANK SHALL HAVE A CSA APPROVAL STAMPED NEAR THE IAMPO APPROVAL.
 5. EXPOSED PIPE ABOVE ROOF TO BE PAINTED 37163-01-000.
 4. ALL EXTERIOR OPENINGS AROUND PIPE TO BE SEALED WITH 110744-01-000.
 3. ALL PIPE AND FITTINGS TO BE ASSEMBLED WITH SOLVENT 4020-01-000.
 2. SLOPE OF TRAP ARM MUST BE 6 PER 305.
 1. SLOPE OF HORIZONTAL PIPING TO BE 6 PER 305 MIN.

FOR DRAINAGE CALLOUTS SEE DWG NO. 116229-01-000
 X-X

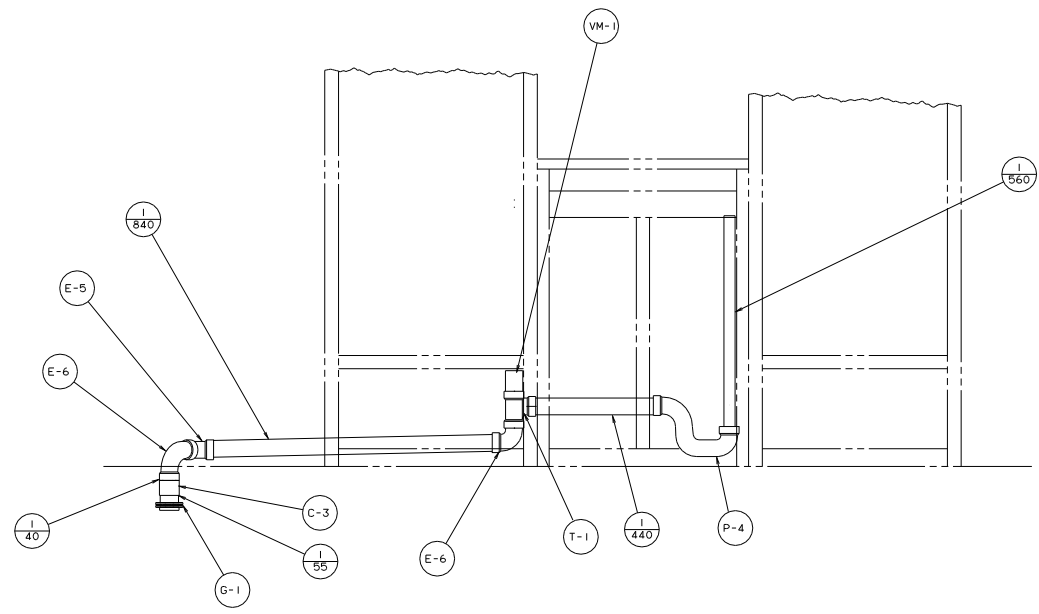
WINNEGAGO 95 G37RW UNSPECIFIED TOLERANCES ARE: WHOLE DIM (Ø) .125 ONE-PLACE (Ø, .Ø) .125 TWO-PLACE (Ø, .Ø) .125 HOLE .005 THRU HOLE PROJECTION .005		TITLE: DRAINAGE SYSTEM INSTL	
		REF: 111801	
PART NO: GGEN94 ALL DIMENSIONS ARE IN MILLIMETERS	SHEET 1 OF 2	DRAWING NO: 116533	DATE:



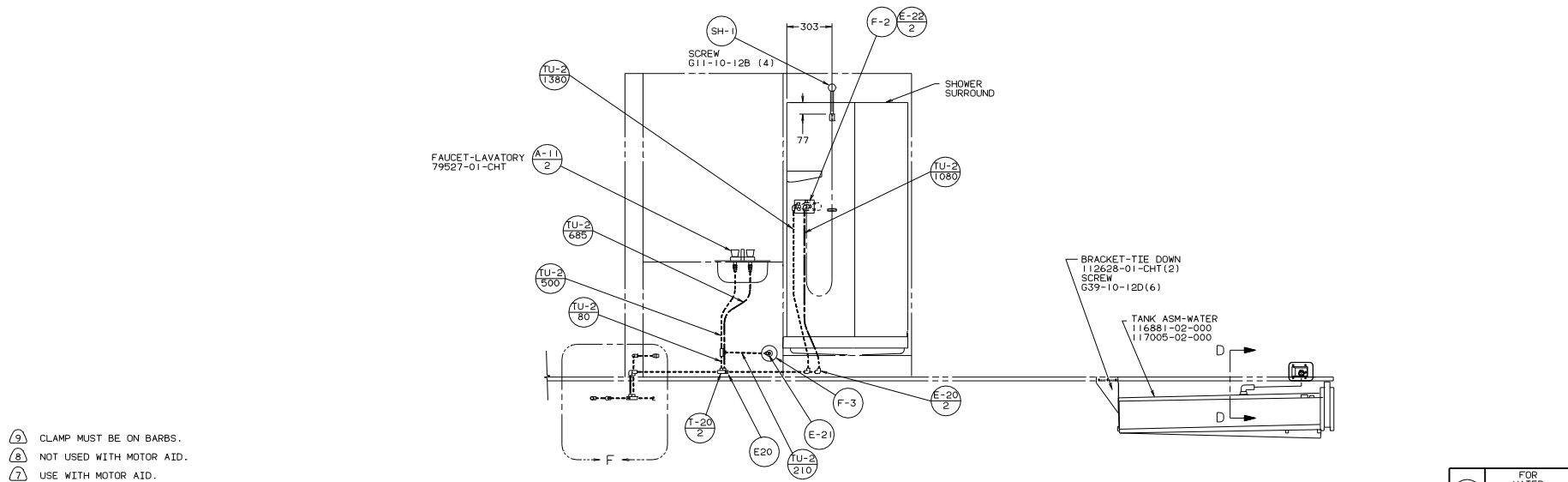
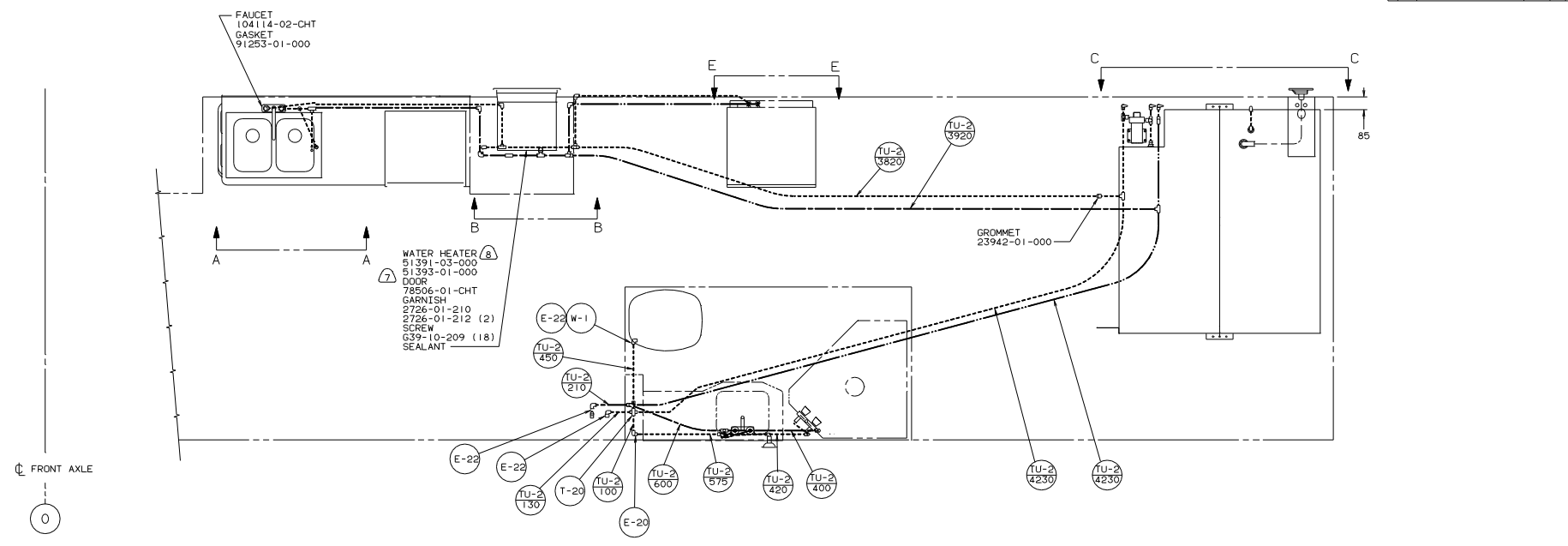
VIEW A-A
WITHOUT WASHER/DRYER



VIEW B-B



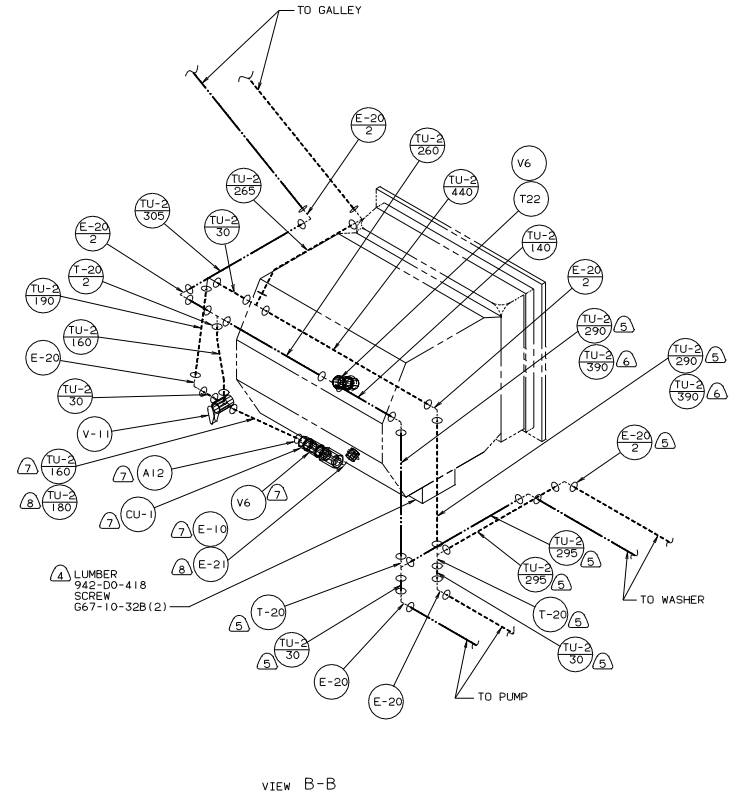
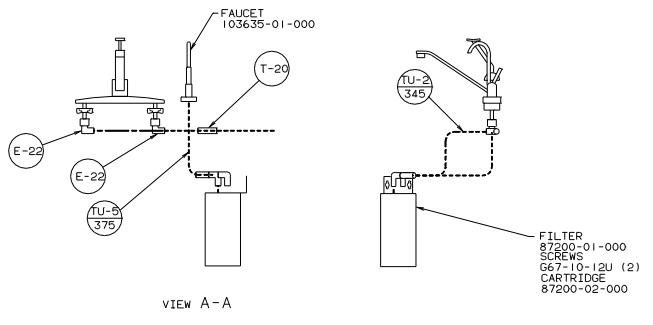
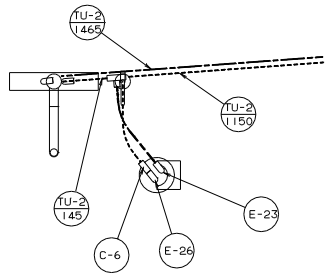
VIEW C-C
WITH WASHER/DRYER



- (9) CLAMP MUST BE ON BARBS.
 (8) NOT USED WITH MOTOR AID.
 (7) USE WITH MOTOR AID.
 (6) USE WITHOUT WASHER/DRYER.
 (5) USE WITH WASHER/DRYER.
 (4) LOCATE LUMBER TO SUPPORT WATER HEATER.
 3. ALL TUBING TO BE SECURED AT 1200 INTERFALS MAX WITH CLIP 91951-01-000 AND SCREW G13-06-16U.
 2. TUBING TO BE INSTALLED WITH SUFFICIENT SLOPE TO PROVIDE DRAINAGE TO NEAREST VALVE.
 1. PLASTIC FITTINGS TO BE SEALED WITH SEALANT 84456-01-000.

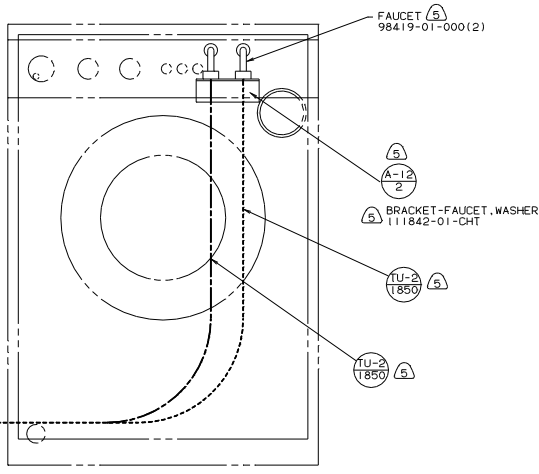
LEGEND	
HOT	—————
COLD	-----

		95 G37RW
PART NO. G6EN94 REV. 1 SCALE NONE SHEET 1 OF 3	TITLE: WATER SYSTEM INSTL DATE 11/16/45 DRAWN BY J.E.	FOR WATER CALLOUTS SEE DWG NO. 116230-01-000

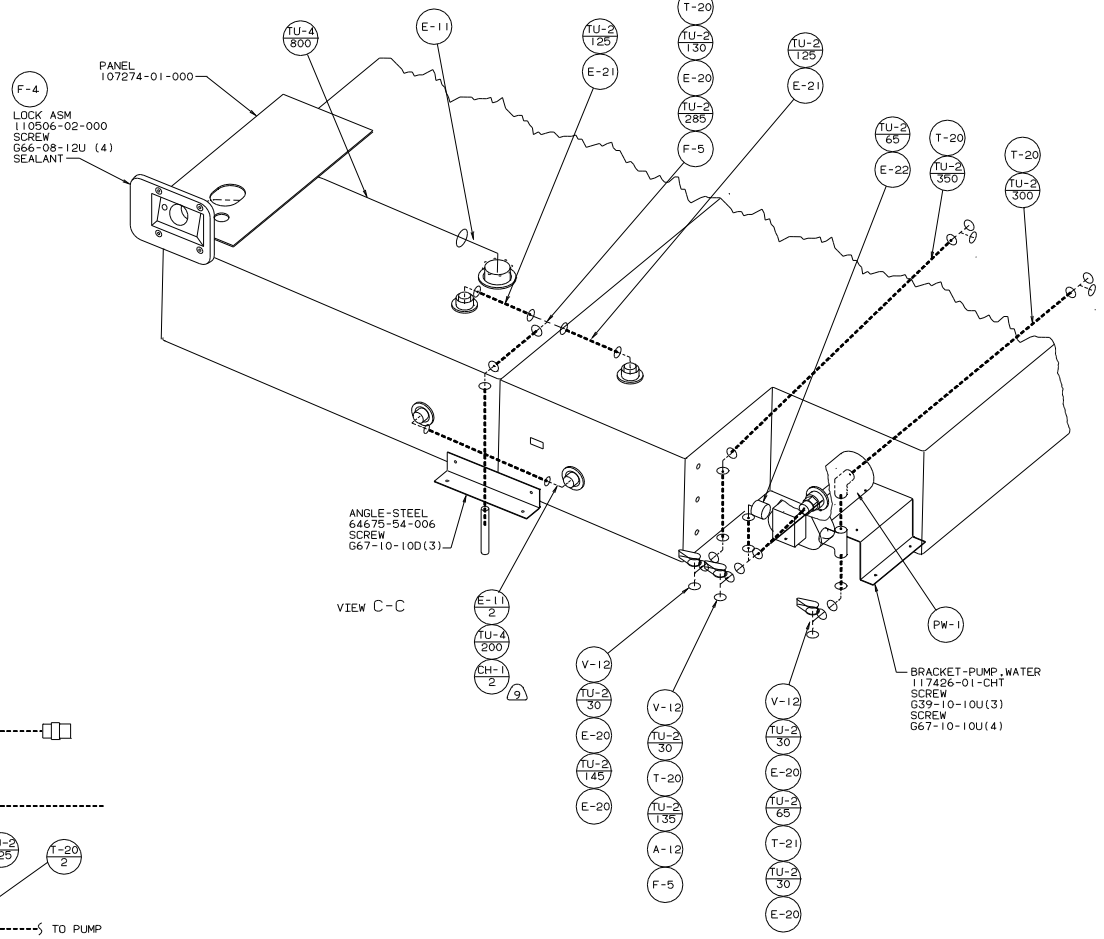


VIEW B-B

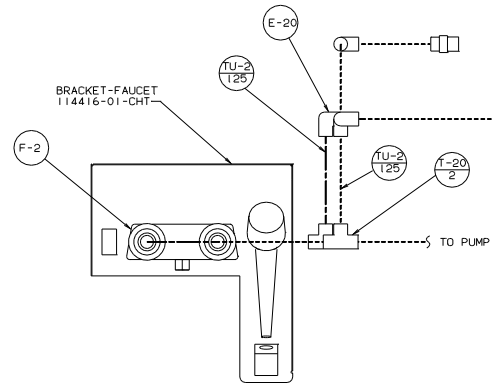
TITLE: WATER SYSTEM INSTL			
30 NET SCALE DRAWING	REV	DATE	NO
SHEET 2 OF 3	1	11	116445



VIEW E-E



VIEW C-C



DETAIL

TITLE		95 G37RW	
WATER SYSTEM INSTL		116445	
30 NET SCALE DRAWING	3 OF 3	1 E	1