

TANK-HOLDING, 50 GAL
 104352-14-000
 PLATFORM ASM-HOLDING TANK
 105193-01-000
 105193-02-000

SINK-SST, DOUBLE
 110654-01-000 (US/CAN)
 STRAINER
 92303-01-000 (2)
 SEAL
 69640-01-000
 RETAINER
 105497-01-000 (2)
 105497-02-000 (4)
 SCREW
 G67-06-10U (22)

TANK-HOLDING, 46 GALLON
 112789-03-000
 PLATFORM ASM-HOLDING TANK
 112784-01-XXX
 112784-02-XXX

BRACKET
 95061-01-000 (10)
 SCREW
 G67-10-12B

BRACKET
 95061-01-000 (10)
 SCREW
 G67-10-12B

BRACKET
 95061-01-000 (2) (10)
 SCREW
 G67-10-12B (2)
 CLAMP
 62401-02-000

BRACKET (10)
 95061-01-000 (2)
 SCREW
 G67-10-12B (2)
 CLAMP
 62401-02-000

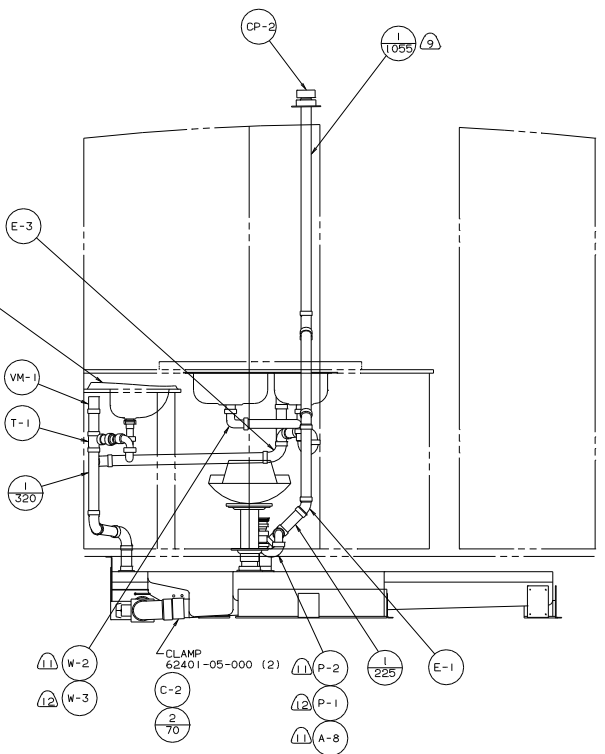
BRACKET
 94756-03-XXX
 SCREW
 G39-10-12D (3)
 NUT
 D39-05-00B (2)
 BRACKET
 111316-01-000

X-X FOR DRAINAGE CALLOUTS SEE DWG NO. 116229-01-000

- CSA ONLY.
- US ONLY.
- SECURE VENT TUBES TO FLOOR WITH BRACKET.
- VENT PIPE MUST PROJECT 51 MM MIN AND 63.5 MM MAX ABOVE ROOF FOR PROPER FIT AND FUNCTION.
- SEE DWG 61607-01-000 FOR INSTL OF GROMMETS.
- SEAL ALL AROUND SHOWER WITH SILICONE.
- FOR CAN UNITS EACH HOLDING TANK SHALL HAVE A CSA APPROVAL STAMPED NEAR THE IAMPO APPROVAL.
- EXPOSED PIPE ABOVE ROOF TO BE PAINTED 37163-01-000.
- ALL EXTERIOR OPENINGS AROUND PIPE TO BE SEALED WITH 110744-01-000.
- ALL PIPE AND FITTINGS TO BE ASSEMBLED WITH SOLVENT 4020-01-000.
- SLOPE OF TRAP ARM MUST BE 6 PER 305.
- SLOPE OF HORIZONTAL PIPING TO BE 6 PER 305 MIN.

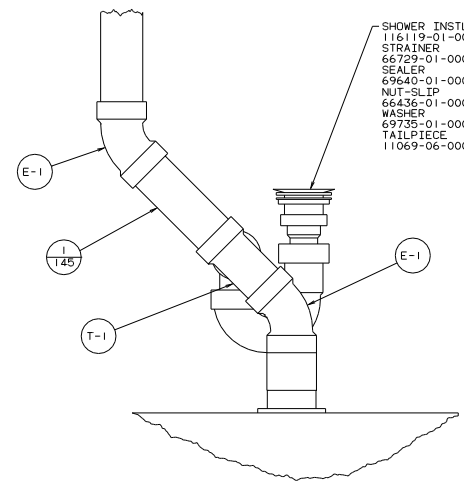
WINNERAGO		95 G34W0	
DATE	UNSPECIFIED TOLERANCES ARE:	MATERIAL	
CHG#	WHOLE OR 1/2	.	
REV	ONE-PLACE (1/8)	.	
BY	TWO-PLACE (1/8)	.	
CHK	ANGLE	.	
DATE	THREE-PLACE	.	
CHK	PROJECTION	.	
PART NO: GW3405 TITLE: DRAINAGE SYSTEM INSTL REV: 1 SCALE: NONE 2D NET SCALE: DIMING: 1/16"=1'-0" ALL DIMENSIONS ARE IN MILLIMETERS SHEET 1 OF 2 11610			

SINK-LAVATORY
105921-01-CHT
SPACER-SINK
105218-01-CHT
STRAINER
106116-01-CHT
SEALER
69640-01-000



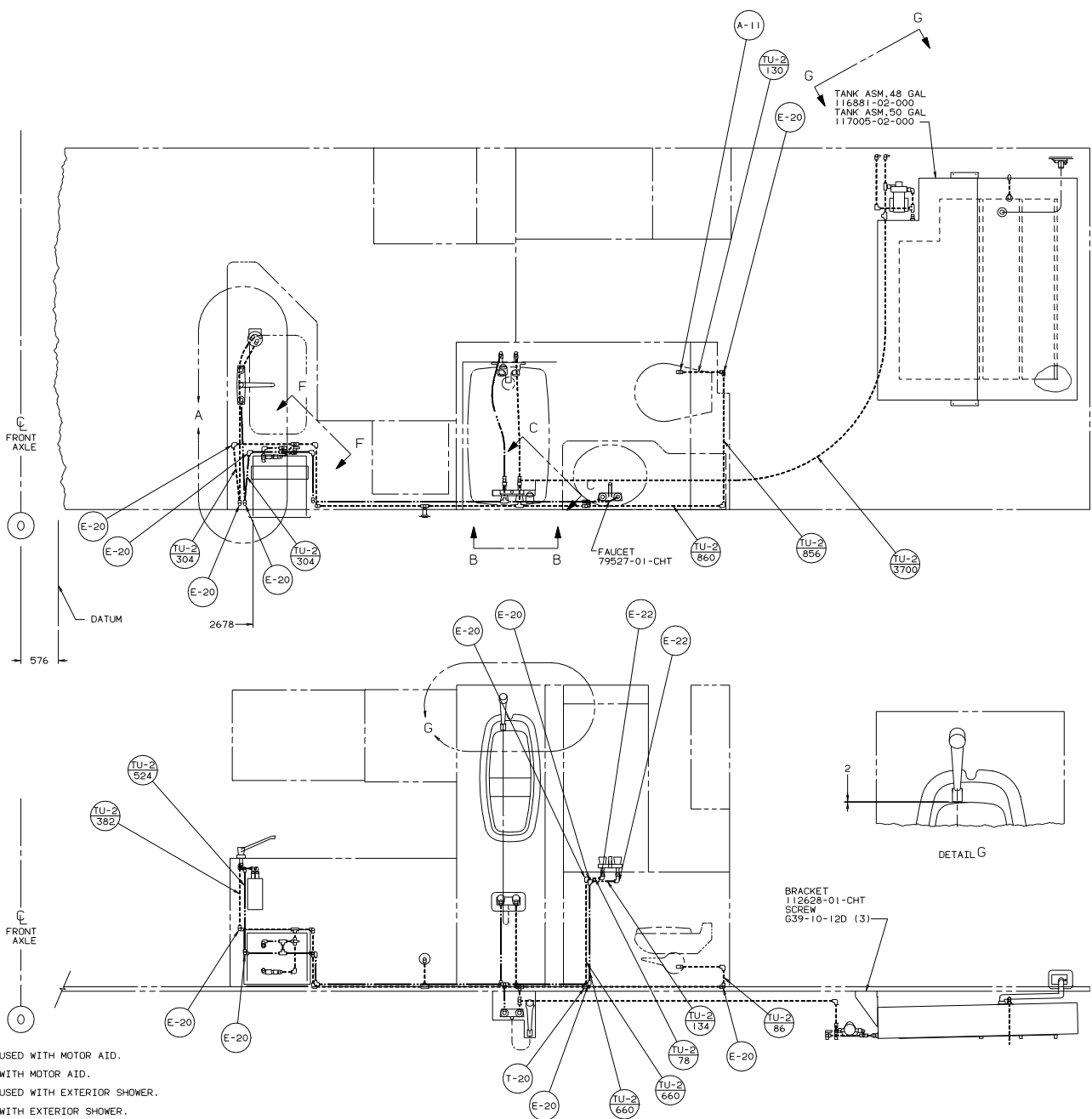
VIEW A-A

SHOWER INSTL-ENCLOSURE
116119-01-000
STRAINER
66729-01-000
SEALER
69640-01-000
NUT-SLIP
66436-01-000
WASHER
69735-01-000
TAILPIECE
11069-06-000



VIEW B-B

TITLE: DRAINAGE SYSTEM INSTL	
30 NET SCALE DRAWING	FILE NO 116010
SHEET 2 OF 2	1 E



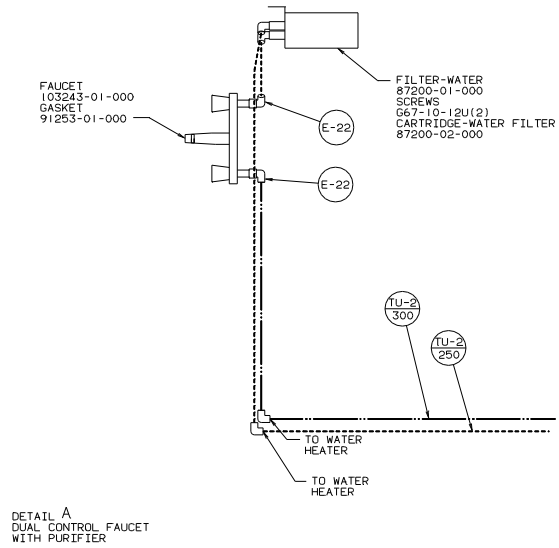
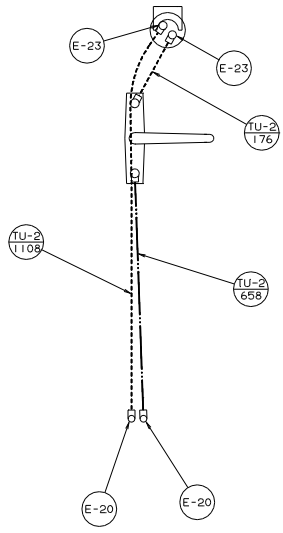
- NOTES:
1. PLASTIC FITTINGS TO BE SEALED WITH SEALANT 84456-01-000.
 2. TUBING TO BE INSTALLED WITH SUFFICIENT SLOPE TO PROVIDE DRAINAGE TO NEAREST VALVE.
 3. ALL TUBING TO BE SECURED AT 1200 INTERVALS MAX WITH CLAMP 10495-01-000 OR CLIP 91951-01-000 AND SCREW G67-10-12B.

CLAMP MUST BE ON BARBS.

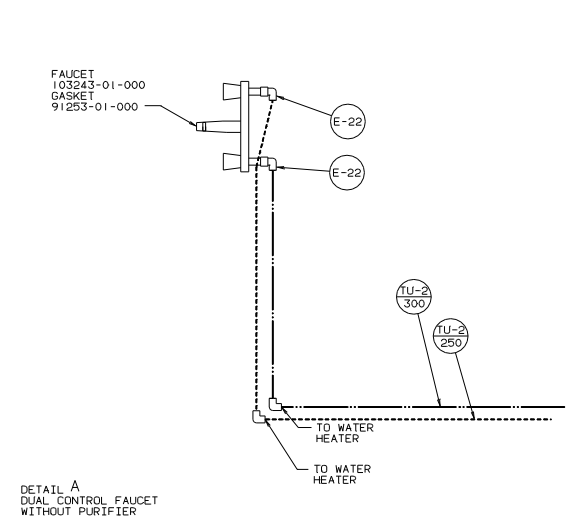
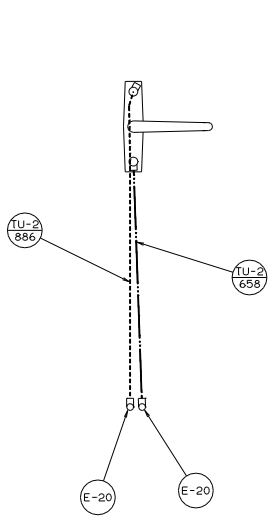
LEGEND	
HOT	—————
COLD	-----

X-X FOR WATER CALLOUTS SEE DWG NO. 116230-01-000

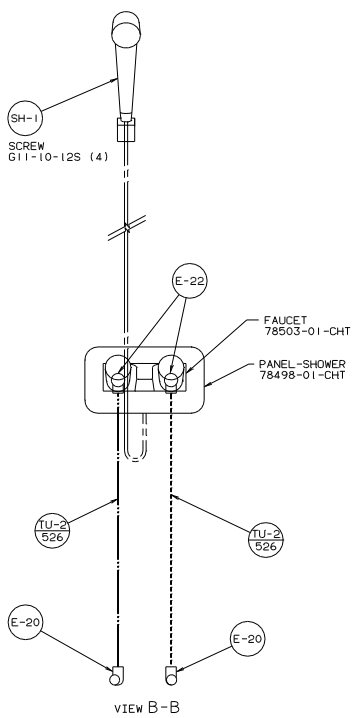
WINNERAGO 95 G34W0	
QTY:	UNSPECIFIED TOLERANCES ARE MATERIAL
CHP:	WHOLE OR 1/2
FR:	ONE-PLACE 1/4 X 1/2
FL:	TWO-PLACE 1/4 X 1/2
DR:	ANGLE
CDR:	TUBING: WHOLE PRODUCTION
LARGEST SIZE: GW3405	TITLE: WATER SYSTEM INSTL
DATE: 11/16/29	SHEET: 1 OF 3
SCALE: 1/4" = 1'-0"	DATE: 11/16/29



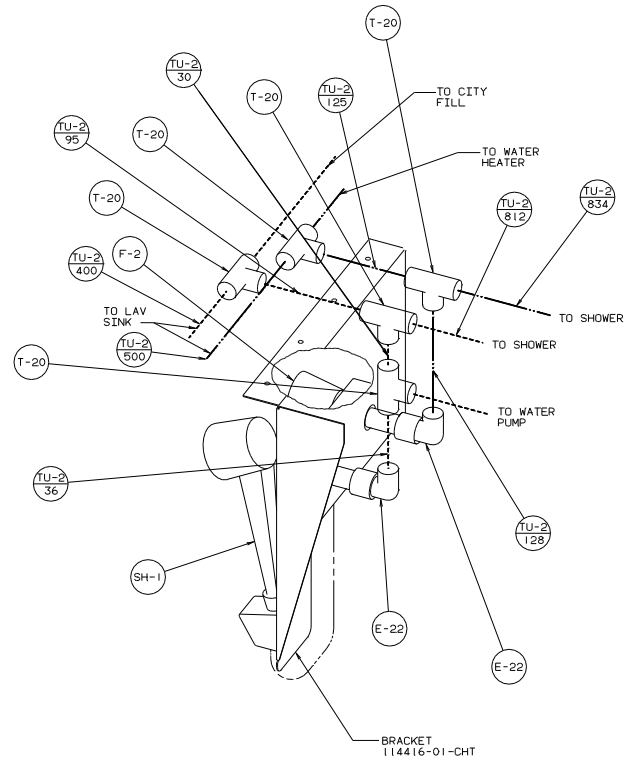
DETAIL A
DUAL CONTROL FAUCET
WITH PURIFIER



DETAIL A
DUAL CONTROL FAUCET
WITHOUT PURIFIER



VIEW B-B



VIEW C-C
EXTERIOR SHOWER

TITLE		95 G34WQ	
WATER SYSTEM INSTL			
30 NET SCALE DRAWING	SHEET 2 OF 3	DATE	116129

F-4
 LOCK ASM
 110506-02-000
 SCREW
 G66-08-12U (4)
 SEALANT

PANEL
 107274-01-000

ANGLE-STEEL
 64675-54-006
 SCREW
 G67-10-10D(3)

VIEW G-G

WATER HEATER
 51391-03-000
 51391-01-000
 DOOR
 78506-01-CHT
 EXTR
 2726-01-210 (2)
 2726-01-212 (2)
 SCREW
 G39-10-20G (18)

BRACKET-PUMP_WATER
 117426-01-CHT
 SCREW
 G39-10-10U(3)
 SCREW
 G67-10-10U(4)

FILL
 87720-02-CHT

LUMBER
 942-D0-418
 SCREW
 G67-10-32B(2)

VIEW F-F

95 G34WQ

TITLE		WATER SYSTEM INSTL	
30 NET SCALE DRAWING	1/8" = 1'-0"	DATE	116129
SHEET 3 OF 3	1/8"	DESIGNER	