

TANK-HOLDING, 50 GAL  
 104352-14-000  
 PLATFORM ASM-HOLDING TANK  
 105193-01-000  
 105193-02-000

SINK-SST, DOUBLE  
 110654-01-000 (US/CAN)  
 STRAINER  
 92303-01-000 (2)  
 SEAL  
 69640-01-000  
 RETAINER  
 105497-01-000 (2)  
 105497-02-000 (4)  
 SCREW  
 G67-06-10U (22)

TANK-HOLDING, 46 GALLON  
 112789-03-000  
 PLATFORM ASM-HOLDING TANK  
 112784-01-XXX  
 112784-02-XXX

BRACKET  
 95061-01-000 (10)  
 SCREW  
 G67-10-12B  
 G-1 C-3 55 40

BRACKET  
 95061-01-000 (10)  
 SCREW  
 G67-10-12B  
 G-1 C-3 55 40

BRACKET  
 95061-01-000 (2) (10)  
 SCREW  
 G67-10-12B (2)  
 CLAMP  
 62401-02-000  
 C-3 G-1 55

BRACKET (10)  
 95061-01-000 (2)  
 SCREW  
 G67-10-12B (2)  
 CLAMP  
 62401-02-000  
 C-3 40 50 6-1

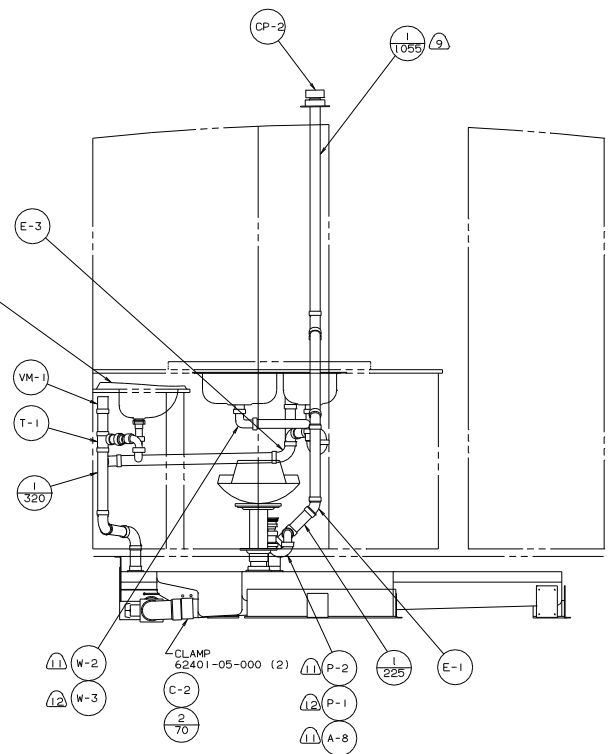
BRACKET  
 94756-03-XXX  
 SCREW  
 G39-10-12D (3)  
 NUT  
 D39-05-00B (2)  
 BRACKET  
 111316-01-000

FOR DRAINAGE CALLOUTS SEE DWG NO. 116229-01-000

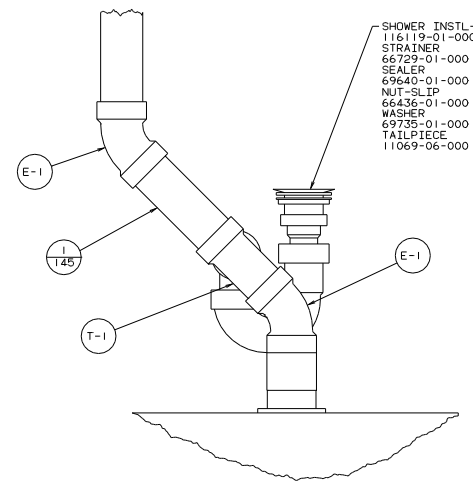
- (12) CSA ONLY.
- (11) US ONLY.
- (10) SECURE VENT TUBES TO FLOOR WITH BRACKET.
- (9) VENT PIPE MUST PROJECT 51 MM MIN AND 63.5 MM MAX ABOVE ROOF FOR PROPER FIT AND FUNCTION.
- 8. SEE DWG 61607-01-000 FOR INSTL OF GROMMETS.
- 7. SEAL ALL AROUND SHOWER WITH SILICONE.
- 6. FOR CAN UNITS EACH HOLDING TANK SHALL HAVE A CSA APPROVAL STAMPED NEAR THE IAMPO APPROVAL.
- 5. EXPOSED PIPE ABOVE ROOF TO BE PAINTED 37163-01-000.
- 4. ALL EXTERIOR OPENINGS AROUND PIPE TO BE SEALED WITH 110744-01-000.
- 3. ALL PIPE AND FITTINGS TO BE ASSEMBLED WITH SOLVENT 4020-01-000.
- 2. SLOPE OF TRAP ARM MUST BE 6 PER 305.
- 1. SLOPE OF HORIZONTAL PIPING TO BE 6 PER 305 MIN.

LAWRENCE		TITLE: DRAINAGE SYSTEM INSTL	
REV	SCALE	NO	DATE
1	1:1	1	11/16/10
SHEET 1 OF 2		DWG NO. 116010	

SINK-LAVATORY  
105921-01-CHT  
SPACER-SINK  
105218-01-CHT  
STRAINER  
106116-01-CHT  
SEALER  
69640-01-000



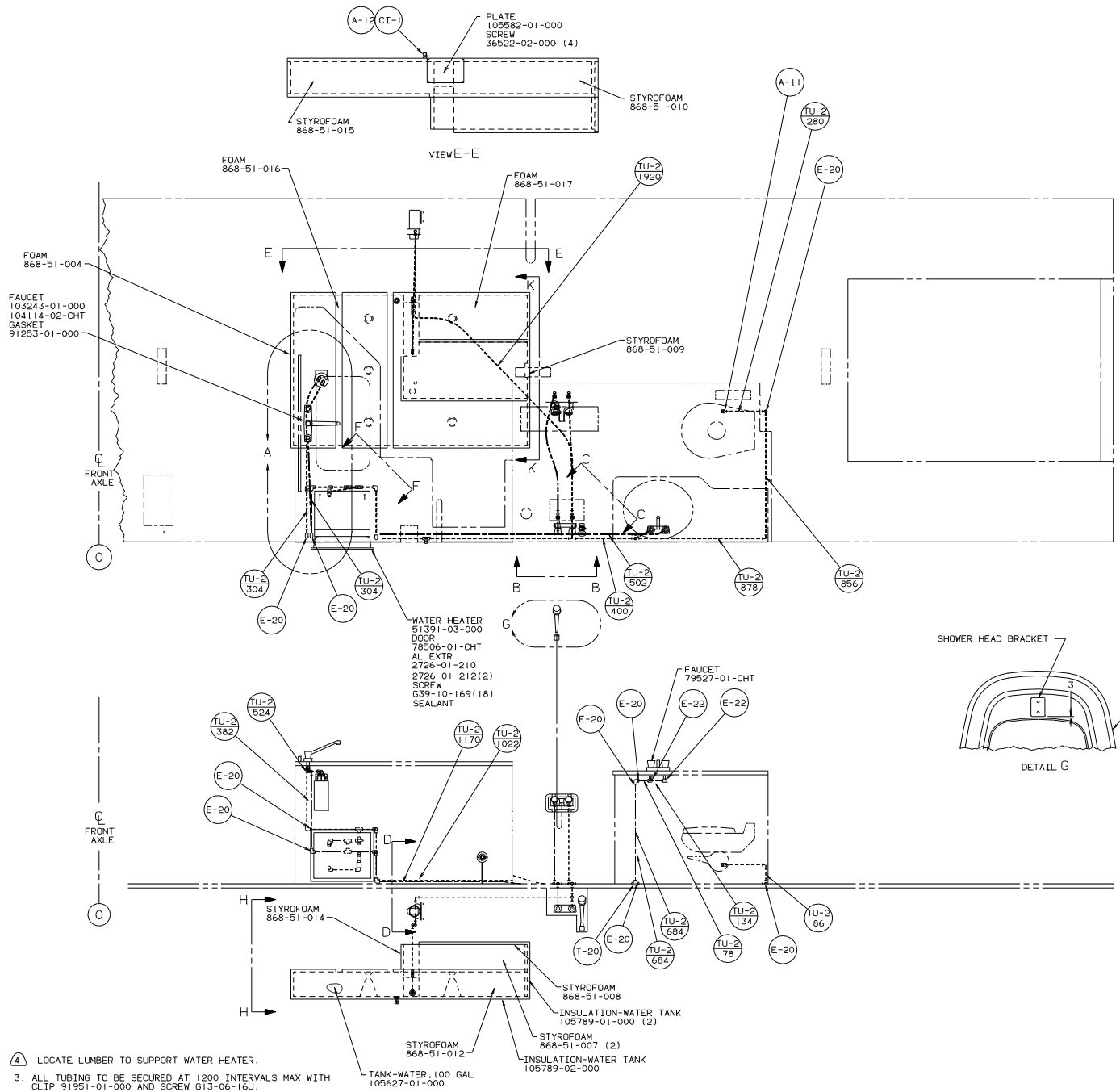
VIEW A-A



SHOWER INSTL-ENCLOSURE  
116119-01-000  
STRAINER  
66729-01-000  
SEALER  
69640-01-000  
NUT-SLIP  
66436-01-000  
WASHER  
69735-01-000  
TAILPIECE  
11069-06-000

VIEW B-B

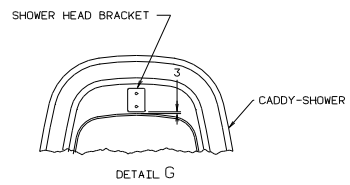
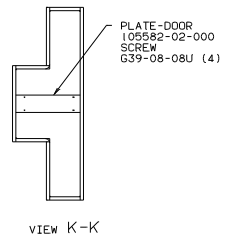
TITLE: DRAINAGE SYSTEM INSTL	
30 NET SCALE DRAWING	FILE NO 116010
SHEET 2 OF 2	DATE



- NOTES:
1. PLASTIC FITTINGS TO BE SEALED WITH SEALANT 84456-01-000.
  2. TUBING TO BE INSTALLED WITH SUFFICIENT SLOPE TO PROVIDE DRAINAGE TO NEAREST VALVE.
  3. ALL TUBING TO BE SECURED AT 1200 INTERVALS MAX WITH CLIP 91951-01-000 AND SCREW 613-06-16U.
  4. LOCATE LUMBER TO SUPPORT WATER HEATER.

LEGEND

HOT	-----
COLD	-----

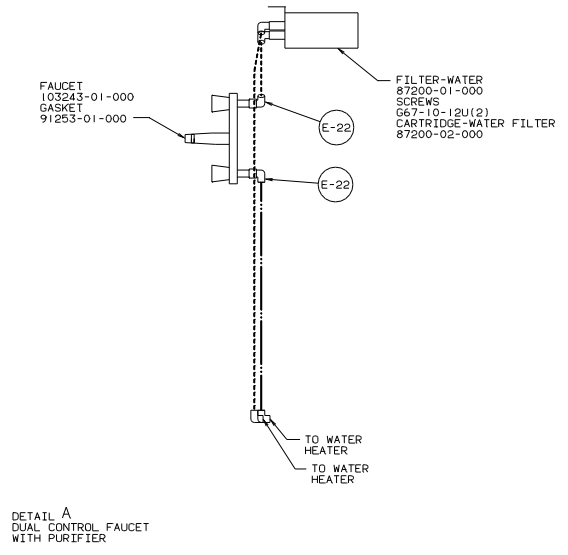
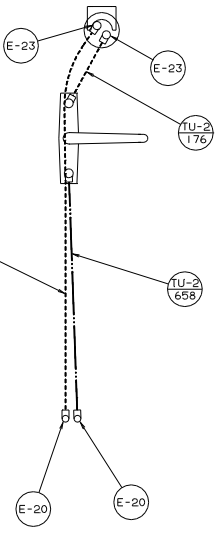


X-X FOR WATER CALLOUTS SEE DWG NO. 116230-01-000

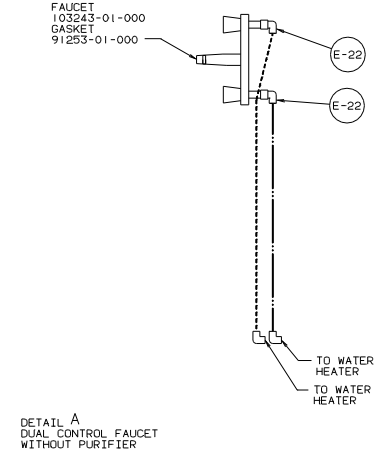
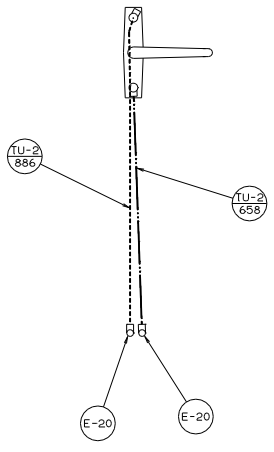
**WINNERAGO** 95 G34WD.W PUSH

DATE	UNSPECIFIED TOLERANCES ARE	MATERIAL
CHG	HALF DIM (X)	1/4
REV	ONE-PLACE (X.X)	1/8
DATE	TWO-PLACE (X.XX)	1/16
CHG	THREE-PLACE (X.XXX)	1/32
DATE	FOUR-PLACE (X.XXXX)	1/64
CHG	FIVE-PLACE (X.XXXXX)	1/128

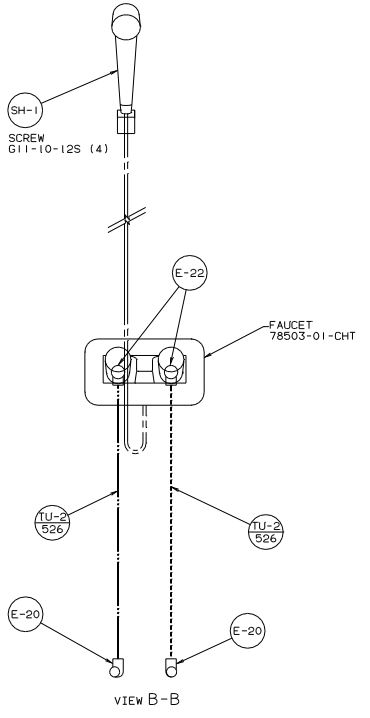
LANSET NO. G34WK5 TITLE: WATER SYSTEM INSTL  
 DIA OF SCALE NONE 30 NET SCALE DRAWING SIZE 1/8" x 1/8" 116369  
 ALL DIMENSIONS ARE IN MILLIMETERS SHEET 1 OF 3



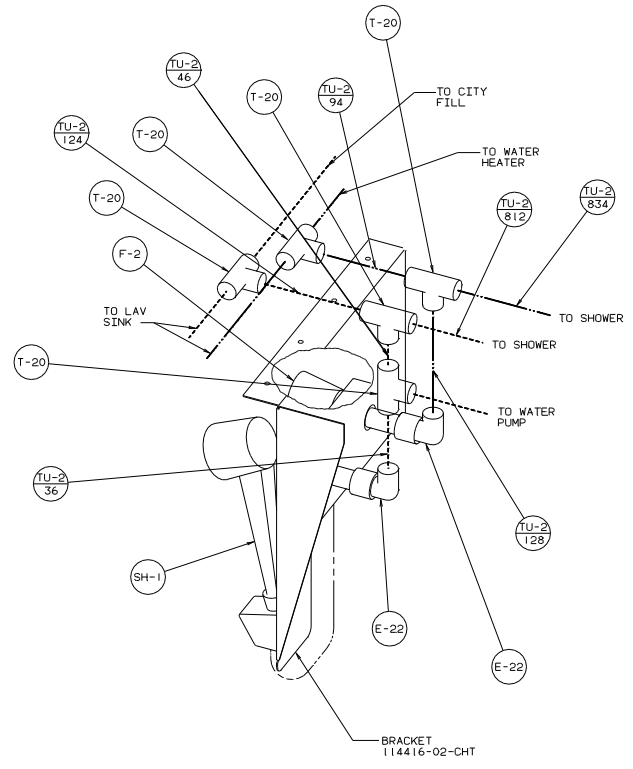
DETAIL A  
DUAL CONTROL FAUCET  
WITH PURIFIER



DETAIL A  
DUAL CONTROL FAUCET  
WITHOUT PURIFIER



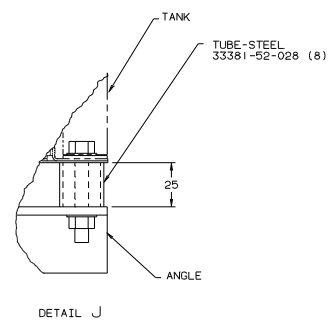
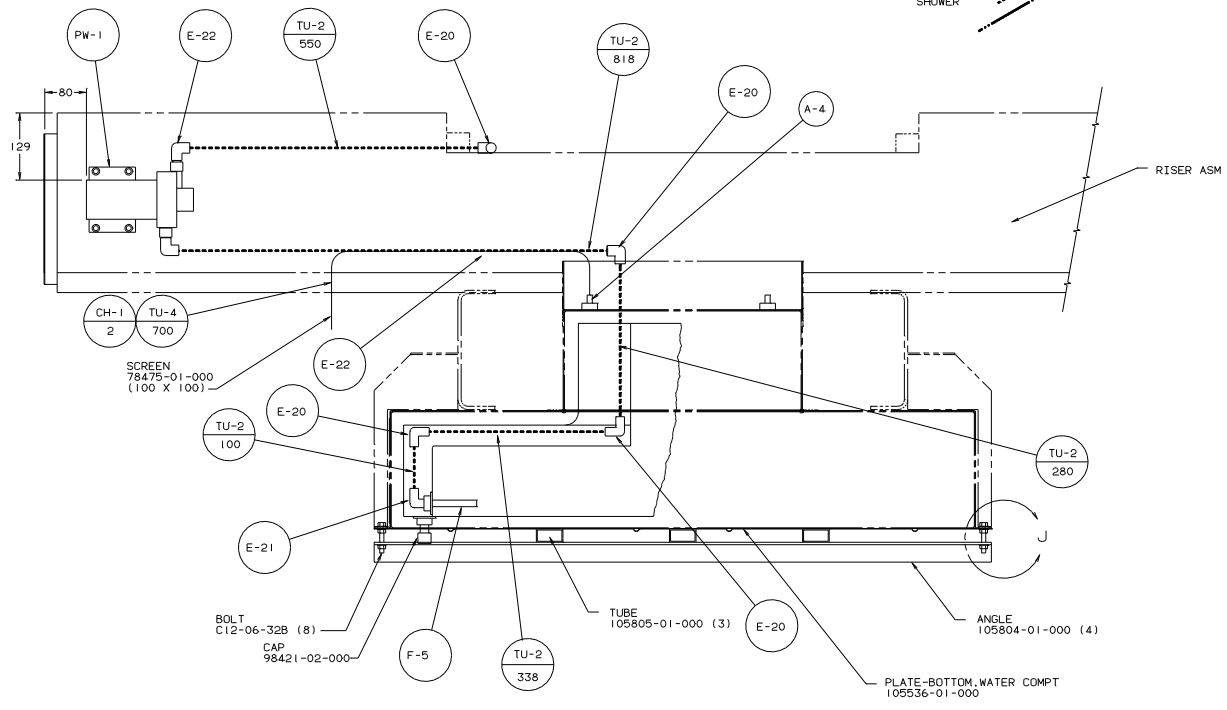
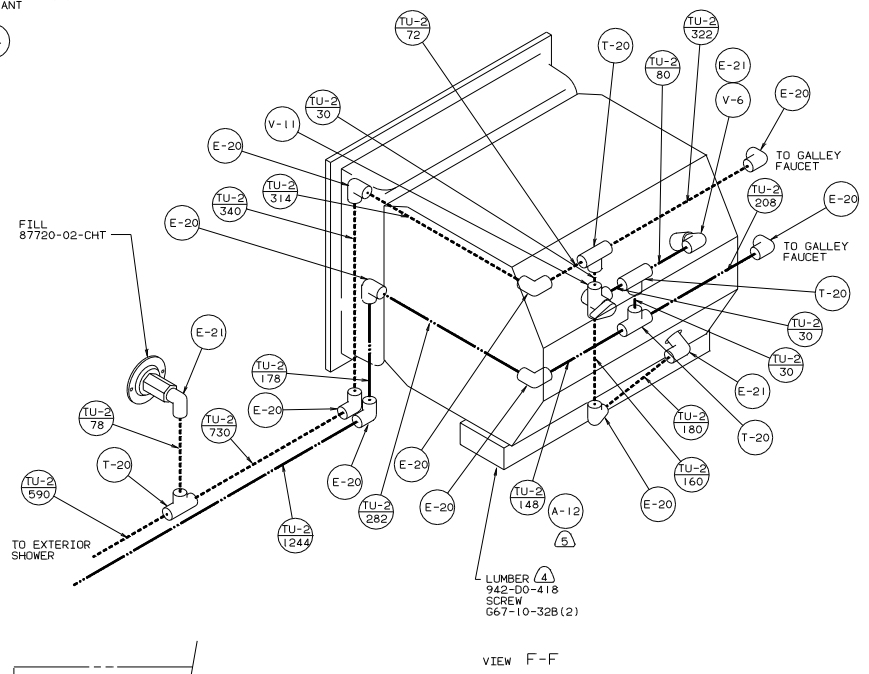
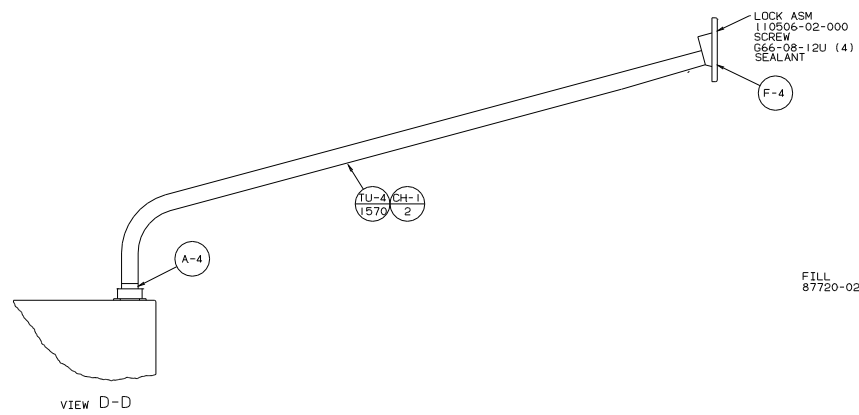
VIEW B-B



VIEW C-C  
EXTERIOR SHOWER

95 G34WQ.W PUSH

TITLE:		WATER SYSTEM INSTL	
30 NET SCALE DRAWING	DATE	1/1	NO
SHEET 2 OF 3	DATE	1/1	NO
		116369	



TITLE		95 G34WQ, W PUSH	
WATER SYSTEM INSTL			
30	NO. SHEET	3	OF 3
1	REV	1	DATE
		116369	