

SINK-SST, DOUBLE  
 110654-01-000 (US/CAN)  
 STRAINER  
 92303-01-000 (2)  
 SEAL  
 69640-01-000  
 RETAINER  
 105497-01-000 (2)  
 105497-02-000 (4)  
 SCREW  
 G67-06-10U (22)

TANK-HOLDING, 50 GALLON  
 104352-16-000  
 PLATFORM ASM-HOLDING TANK  
 105193-01-000  
 105193-02-000

TANK-HOLDING, 46 GALLON  
 112789-03-000  
 PLATFORM ASM-HOLDING TANK  
 112784-01-XXX  
 112784-02-XXX

BRACKET  
 95061-01-000 (2)  
 SCREW  
 G67-10-12B (2)  
 CLAMP  
 62401-02-000

BRACKET  
 95061-01-000 (2)  
 SCREW  
 G67-10-12B (2)  
 CLAMP  
 62401-02-000

BRACKET  
 95061-01-000 (10)  
 SCREW  
 G67-10-12B

BRACKET  
 95061-01-000 (10)  
 SCREW  
 G67-10-12B

FRONT AXLE  
 DATUM FRONT EDGE OF FLOOR

TOP FLOOR TUBE

TOILET-CHINA  
 85321-04-CHT

BRACKET  
 94756-03-XXX  
 SCREW  
 G39-10-12D (3)  
 NUT  
 D39-05-00B (2)  
 BRACKET  
 111316-01-000

CLAMP  
 62401-05-000

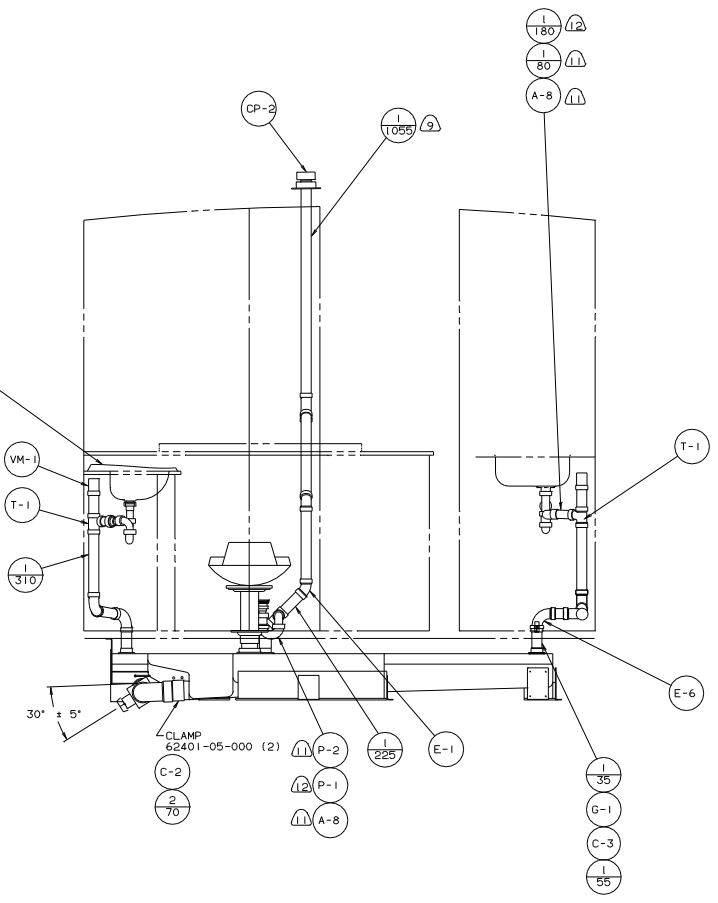
CLAMP  
 62401-05-000 (2)

- (12) CSA ONLY.
- (11) US ONLY.
- (10) SECURE VENT TUBES TO FLOOR WITH BRACKET.
- (9) VENT PIPE MUST PROJECT 51 MM MIN AND 63.5 MM MAX ABOVE ROOF FOR PROPER FIT AND FUNCTION.
- 8. SEE DWG 61607-01-000 FOR INSTL OF GROMMETS.
- 7. SEAL ALL AROUND SHOWER WITH SILICONE.
- 6. FOR CAN UNITS EACH HOLDING TANK SHALL HAVE A CSA APPROVAL STAMPED NEAR THE IAMPO APPROVAL.
- 5. EXPOSED PIPE ABOVE ROOF TO BE PAINTED 37163-01-000.
- 4. ALL EXTERIOR OPENINGS AROUND PIPE TO BE SEALED WITH 110744-01-000.
- 3. ALL PIPE AND FITTINGS TO BE ASSEMBLED WITH SOLVENT 4020-01-000.
- 2. SLOPE OF TRAP ARM MUST BE 6 PER 305.
- 1. SLOPE OF HORIZONTAL PIPING TO BE 6 PER 305 MIN.

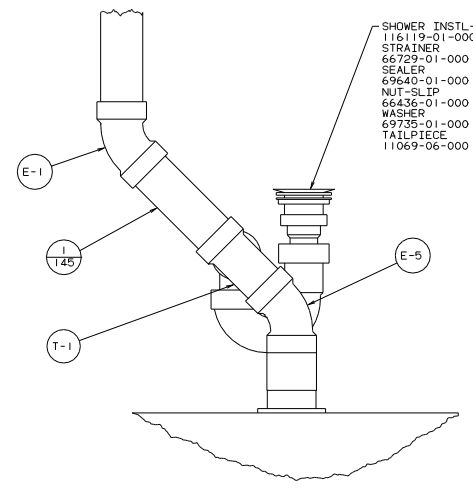
(X-X) FOR DRAINAGE CALLOUTS SEE DWG NO. 116229-01-000

WINNERAGO		95 G34WK
DATE	UNSPECIFIED TOLERANCES ARE:	MATERIAL
CHGR	WHOLE DIM (1)	F.F.
DR	ONE-PLACE (19.3)	F.F.
FR	TWO-PLACE (19.3)	F.F.
FIN	ANGLE	F.F.
CON	TRUSS W/ANGLE PROJECTION	F.F.
LAHRT NO: GW4RK5	TITLE: DRAINAGE SYSTEM INSTL	REF: 116010
REV #	SCALE	NO
1	1 OF 2	1 E NO
ALL DIMENSIONS ARE IN MILLIMETERS		117209

SINK-LAVATORY  
105921-01-CHT  
STRAINER  
106116-01-CHT  
SEALER  
69640-01-000  
SPACER-SINK  
105218-01-CHT

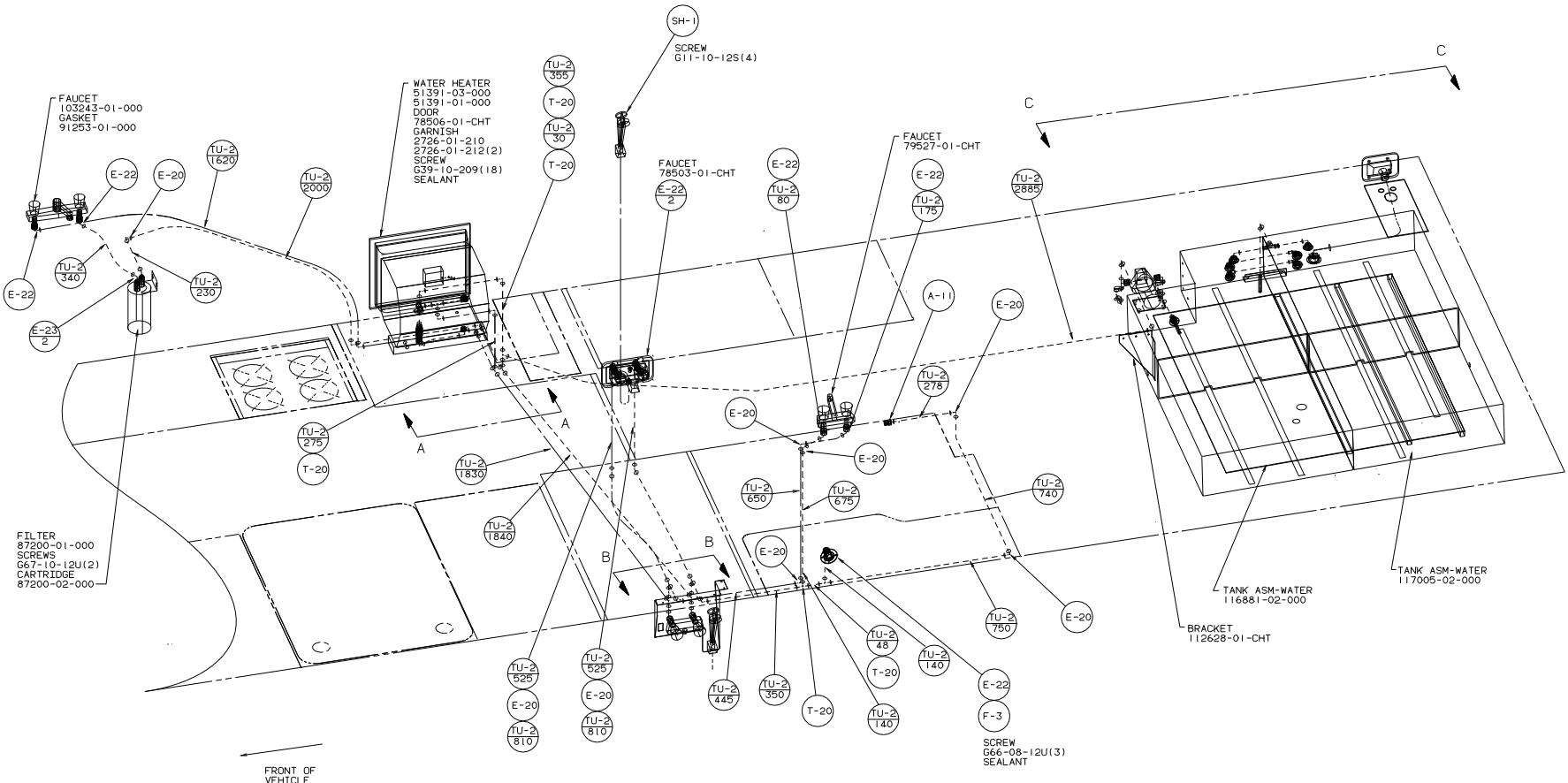


VIEW A-A



VIEW B-B

TITLE: DRAINAGE SYSTEM INSTL		95 G34WK	
30 NET SCALE DRAWING	FILE NO	2 OF 2	117209



FAUCET  
103243-01-000  
GASKET  
91253-01-000

WATER HEATER  
51391-03-000  
51391-01-000  
DOOR  
78506-01-CHT  
GARNISH  
2726-01-210  
2726-01-212(2)  
SCREW  
G39-10-209(18)  
SEALANT

FAUCET  
78503-01-CHT

FAUCET  
79527-01-CHT

FILTER  
87200-01-000  
SCREWS  
G67-10-12U(2)  
CARTRIDGE  
87200-02-000

TANK ASM-WATER  
116881-02-000

TANK ASM-WATER  
117005-02-000

BRACKET  
112628-01-CHT

SCREW  
G66-08-12U(3)  
SEALANT

FRONT OF  
VEHICLE

- 7. CLAMP MUST BE ON BARBS.
- 6. USE WITHOUT MOTOR AID.
- 5. USE WITH MOTOR AID.
- 4. LOCATE LUMBER TO SUPPORT WATER HEATER.
- 3. ALL TUBING TO BE SECURED AT 1200 INTERFALS MAX WITH CLIP 91951-01-000 AND SCREW G13-06-16U.
- 2. TUBING TO BE INSTALLED WITH SUFFICIENT SLOPE TO PROVIDE DRAINAGE TO NEAREST VALVE.
- 1. PLASTIC FITTINGS TO BE SEALED WITH SEALANT 84456-01-000.

X-X FOR WATER CALLOUTS SEE DWG NO. 116230-01-000

LEGEND	
HOT	-----
COLD	-----

WINNEBAGO 95 G34WK	
DATE	UNAPPROVED TOLERANCES ARE MATERIAL
DRW	WHOLE SIZE (X1) 7
P.E.	ONE-PHASE (X.001) +
T.W.E.	TWO-PHASE (X.001) +
DATE	WHOLE
DRW	THIRD ANGLE PROJECTION
LAYER #	TITLE
GM4RK5	WATER SYSTEM INSTL
DATE #	SCALE
NO. 7	NO. 7
ALL DIMENSIONS ARE IN MILLIMETERS	SHEET 1 OF 2
REF: 111402	117169

