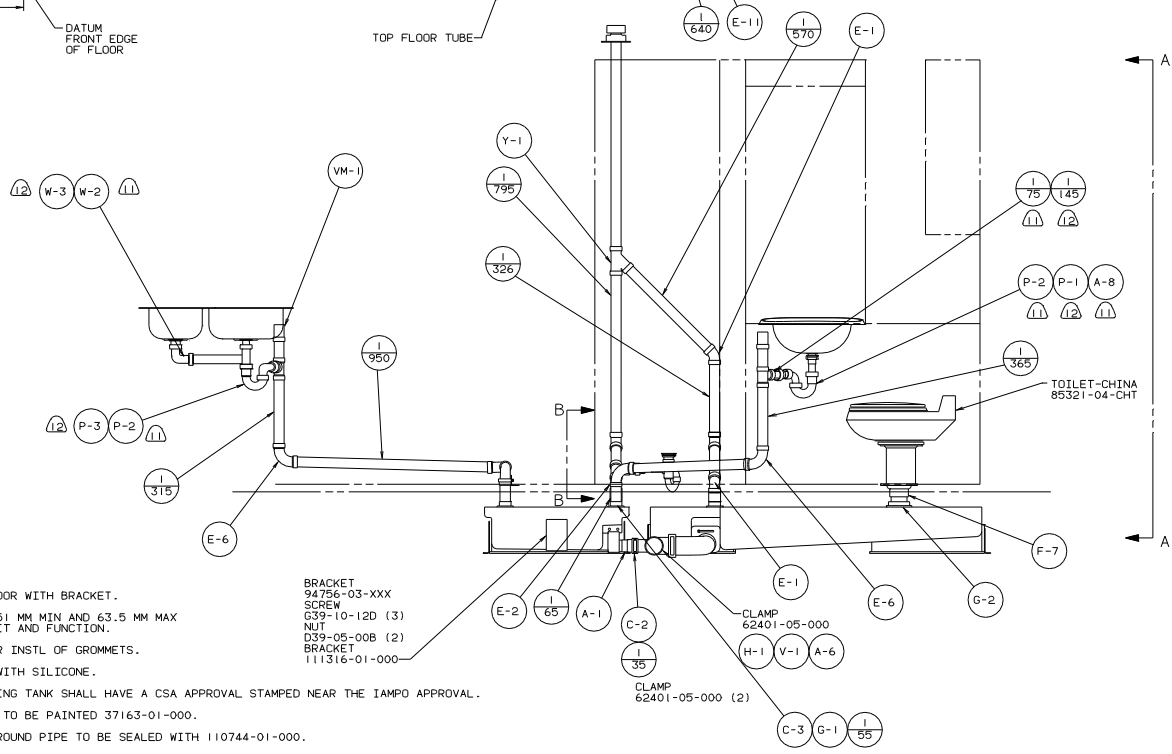
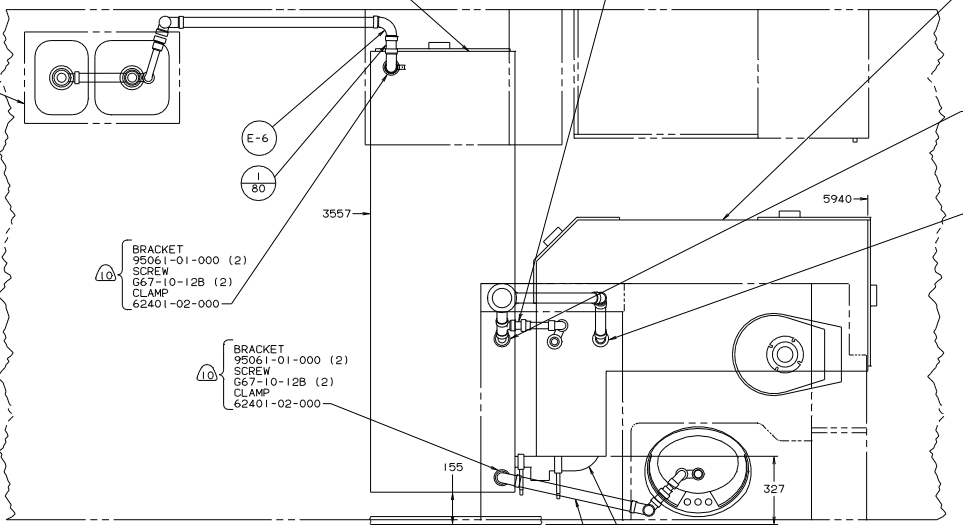


SINK-SST, DOUBLE  
 110654-01-000 (US/CAN)  
 STRAINER  
 92303-01-000 (2)  
 SEAL  
 69640-01-000  
 RETAINER  
 105497-01-000 (2)  
 105497-02-000 (4)  
 SCREW  
 G67-06-10U (22)

TANK-HOLDING, 50 GALLON  
 104352-16-000  
 PLATFORM ASM-HOLDING TANK  
 105193-01-000  
 105193-02-000

TANK-HOLDING, 46 GALLON  
 112789-03-000  
 PLATFORM ASM-HOLDING TANK  
 112784-01-XXX  
 112784-02-XXX



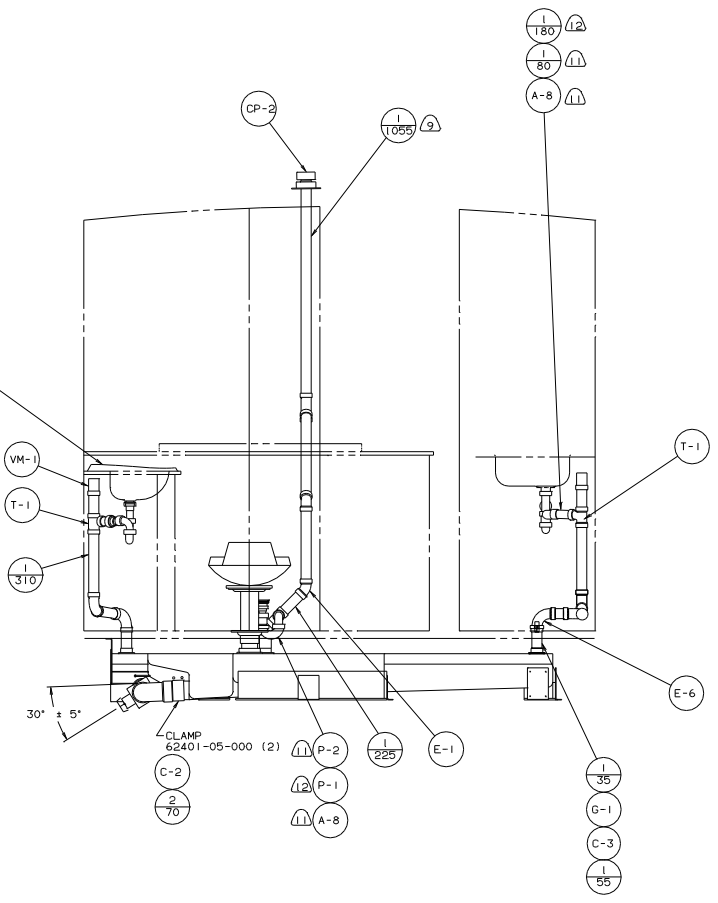
- (12) CSA ONLY.
  - (11) US ONLY.
  - (10) SECURE VENT TUBES TO FLOOR WITH BRACKET.
  - (9) VENT PIPE MUST PROJECT 51 MM MIN AND 63.5 MM MAX ABOVE ROOF FOR PROPER FIT AND FUNCTION.
8. SEE DWG 61607-01-000 FOR INSTL OF GROMMETS.
  7. SEAL ALL AROUND SHOWER WITH SILICONE.
  6. FOR CAN UNITS EACH HOLDING TANK SHALL HAVE A CSA APPROVAL STAMPED NEAR THE IAMPO APPROVAL.
  5. EXPOSED PIPE ABOVE ROOF TO BE PAINTED 37163-01-000.
  4. ALL EXTERIOR OPENINGS AROUND PIPE TO BE SEALED WITH 110744-01-000.
  3. ALL PIPE AND FITTINGS TO BE ASSEMBLED WITH SOLVENT 4020-01-000.
  2. SLOPE OF TRAP ARM MUST BE 6 PER 305.
  1. SLOPE OF HORIZONTAL PIPING TO BE 6 PER 305 MIN.

BRACKET  
 94756-03-XXX  
 SCREW  
 G39-10-12D (3)  
 NUT  
 D39-05-00B (2)  
 BRACKET  
 111316-01-000

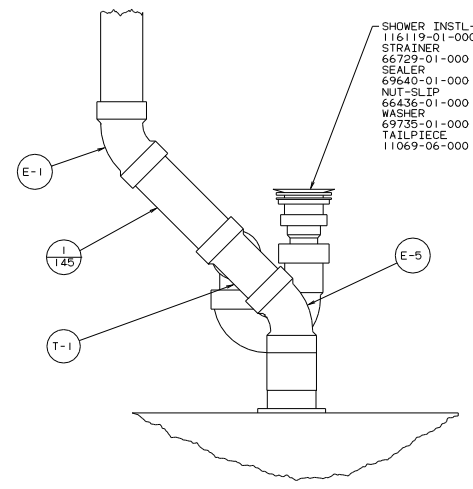
(X-X) FOR DRAINAGE CALLOUTS SEE DWG NO. 116229-01-000

WINNERAGO		95 G34WK
DATE	UNSPECIFIED TOLERANCES ARE	MATERIAL
CHG	WHOLE DIM 1/8"	
REV	ONE PLACE 1/8"	
DATE	TWO PLACE 1/8"	
DATE	THREE PLACE 1/8"	
DATE	ALL DIMENSIONS ARE IN MILLIMETERS	
LAYOUT NO. GW4RK5	TITLE: DRAINAGE SYSTEM INSTL	
REV #	SCALE	NO. OF SHEETS
1	1:1	2
117209		

SINK-LAVATORY  
 105921-01-CHT  
 STRAINER  
 106116-01-CHT  
 SEALER  
 69640-01-000  
 SPACER-SINK  
 105218-01-CHT



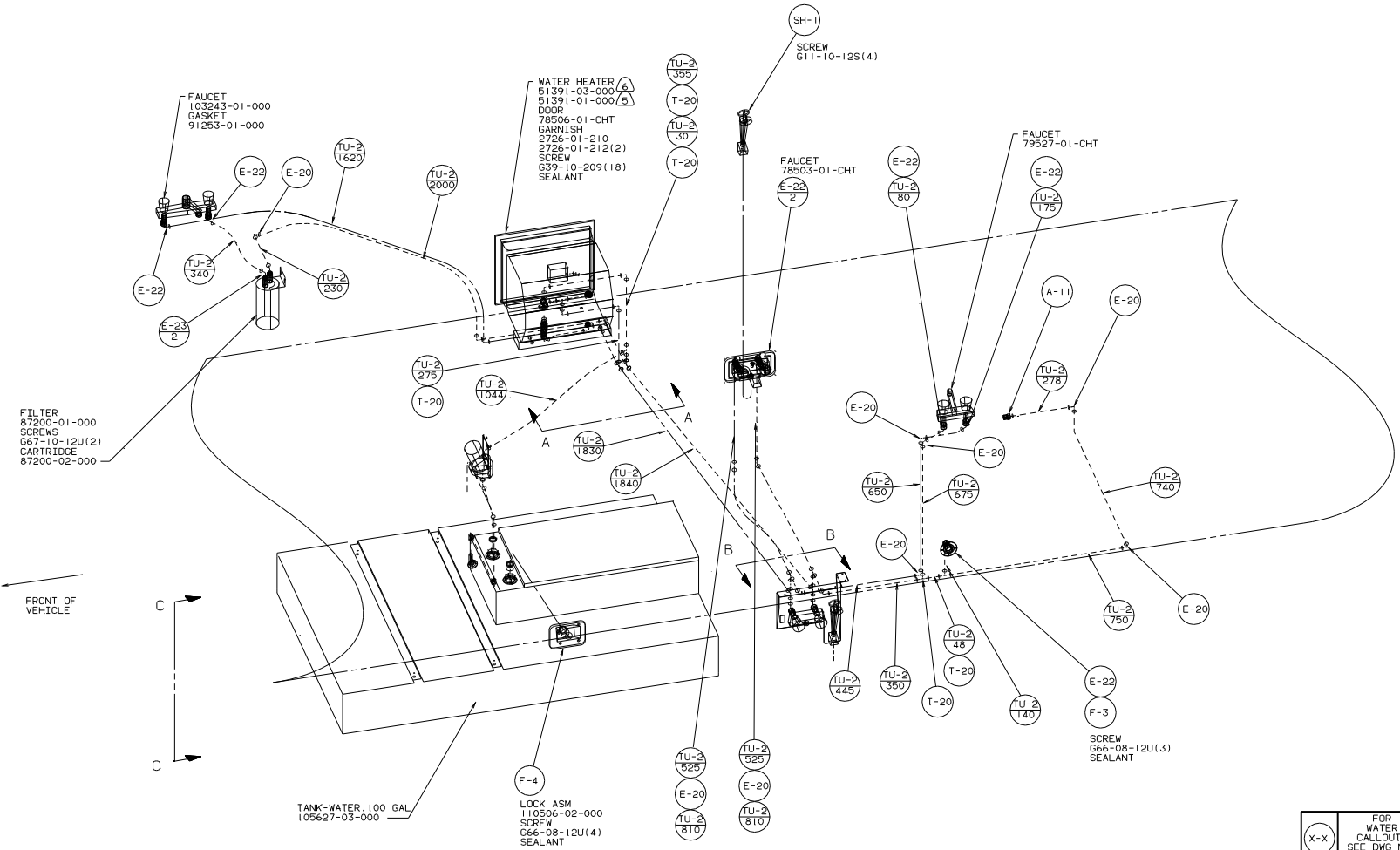
VIEW A-A



VIEW B-B

SHOWER INSTL-ENCLOSURE  
 116119-01-000  
 STRAINER  
 66729-01-000  
 SEALER  
 69640-01-000  
 NUT-SLIP  
 66436-01-000  
 WASHER  
 69735-01-000  
 TAILPIECE  
 11069-06-000

TITLE: DRAINAGE SYSTEM INSTL		FIG NO: 1	
30 NET SCALE DRAWING	SHEET 2 OF 2	DATE	NO



- Ⓐ USE WITHOUT MOTOR AID.
- Ⓑ USE WITH MOTOR AID.
- Ⓓ LOCATE LUMBER TO SUPPORT WATER HEATER.
- 3. ALL TUBING TO BE SECURED AT 1200 INTERFALS MAX WITH CLIP 91951-01-000 AND SCREW G13-06-16U.
- 2. TUBING TO BE INSTALLED WITH SUFFICIENT SLOPE TO PROVIDE DRAINAGE TO NEAREST VALVE.
- 1. PLASTIC FITTINGS TO BE SEALED WITH SEALANT 84456-01-000.

(X-X) FOR WATER CALLOUTS SEE DWG NO. 116230-01-000

LEGEND

HOT	-----
COLD	-----

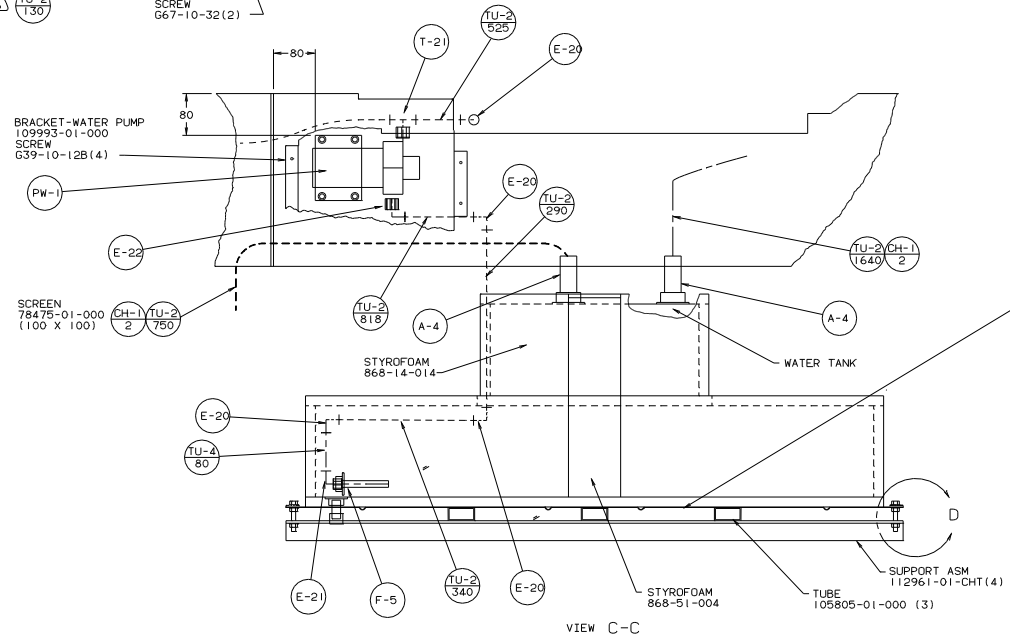
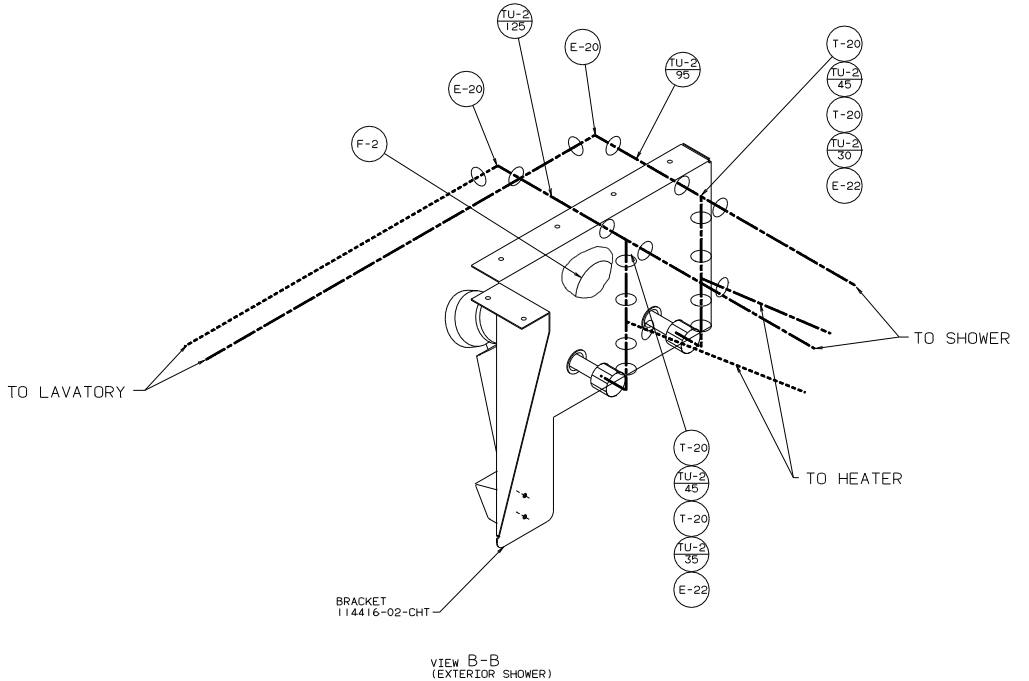
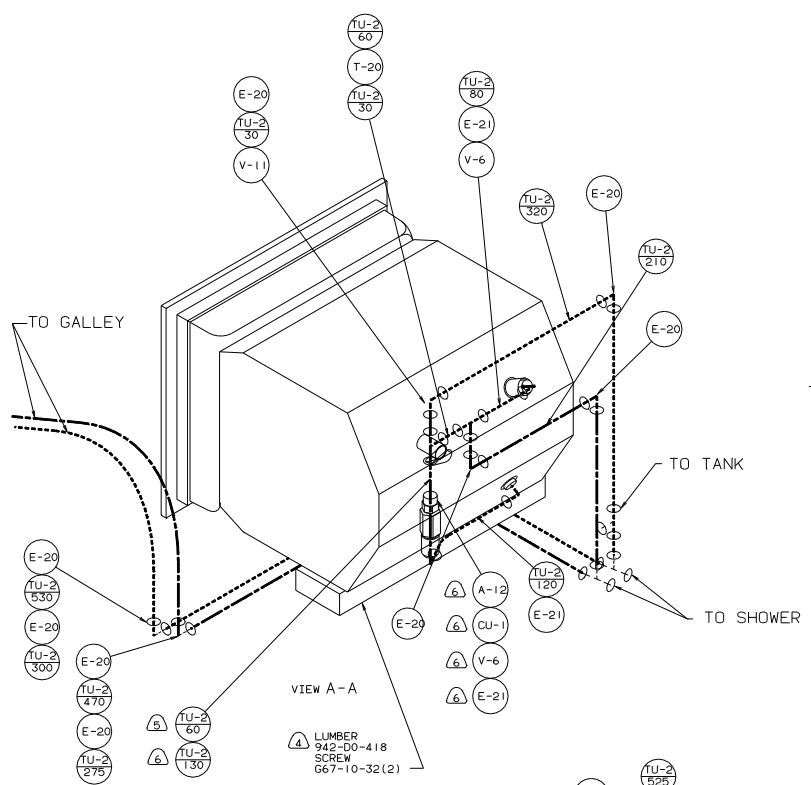
**WINNEBAGO** 95 G34WK.PUSH

DATE	UNSPECIFIED TOLERANCES ARE	MATERIAL
CHKD	WHOLE BOX (X)	7
P.E.	END-PLATE (X)	+
TR.E.	ANGLE	
CON.	THIRD ANGLE PROJECTION	

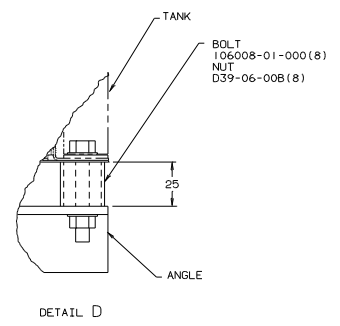
FORM **GMARK5** TITLE: **WATER SYSTEM INSTL**

DRG # SCALE NONE DO NOT SCALE DIMENSIONS SHEET 1 OF 3 REF: 117169 117280

ALL DIMENSIONS ARE IN MILLIMETERS



- PLATE-BOTTOM, WATER COMPT  
 105536-01-000  
 BOLT C12-06-16B(14)  
 NUT D39-06-00B(14)  
 BOLT C12-10-24B(2)  
 NUT D39-10-00B(2)  
 BOLT C26-05-24B(6)  
 NUT D39-05-00B(6)



TITLE		95 G34WK, PUSH	
WATER SYSTEM INSTL		117280	
30 NET SCALE DRAWING	SHEET 2 OF 3	DATE	1/1

