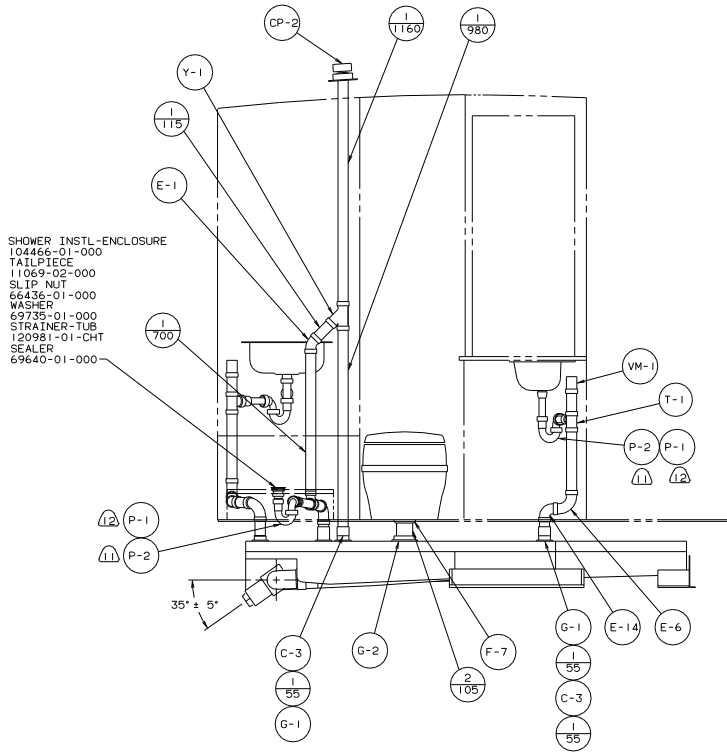


- 12 CSA ONLY.  
 11 US ONLY.
- 10 SECURE VENT TUBES TO FLOOR WITH BRACKET 95061-01-000(2), CLAMP 62401-02-000, PLATE COVER 94346-03-000, SCREW G67-10-12B(2), AND STAPLE 5403-03-000.
  - 9 VENT PIPE MUST PROJECT 51 MM MIN AND 63.5 MM MAX ABOVE ROOF FOR PROPER FIT AND FUNCTION.
  8. SEE DWG 61607-01-000 FOR INSTL OF GROMMETS.
  7. SEAL ALL AROUND SHOWER WITH SILICONE.
  6. FOR CAN UNITS EACH HOLDING TANK SHALL HAVE A CSA APPROVAL STAMPED NEAR THE TAMPO APPROVAL.
  5. EXPOSED PIPE ABOVE ROOF TO BE PAINTED 37163-01-000.
  4. ALL EXTERIOR OPENINGS AROUND PIPE TO BE SEALED WITH 110744-01-000.
  3. ALL PIPE AND FITTINGS TO BE ASSEMBLED WITH SOLVENT 4020-01-000.
  2. SLOPE OF TRAP ARM MUST BE 6 PER 305.
  1. SLOPE OF HORIZONTAL PIPING TO BE 6 PER 305 MIN.

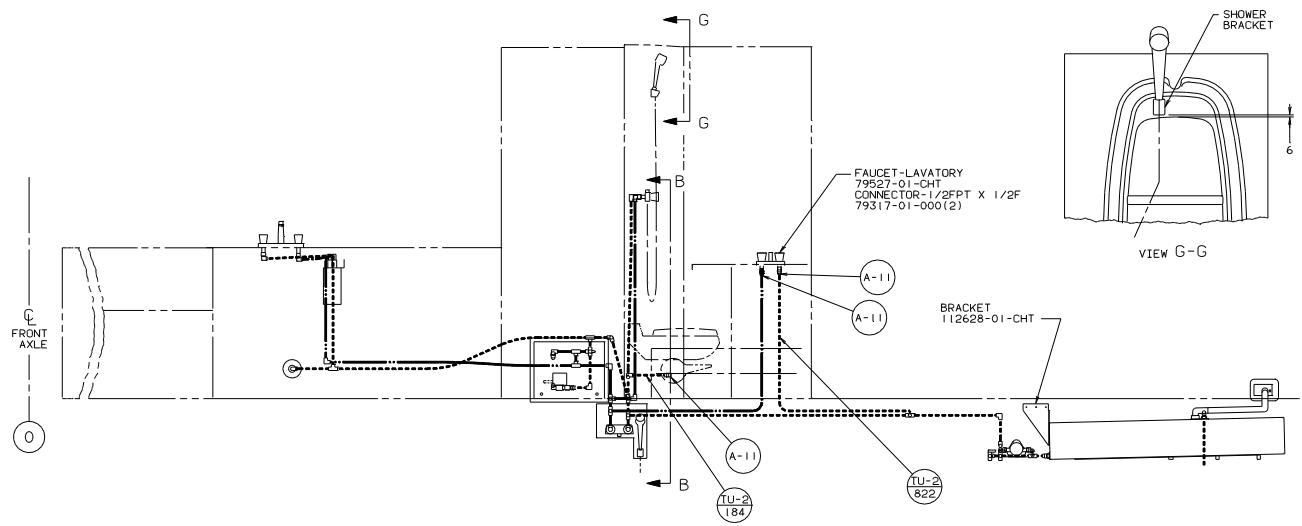
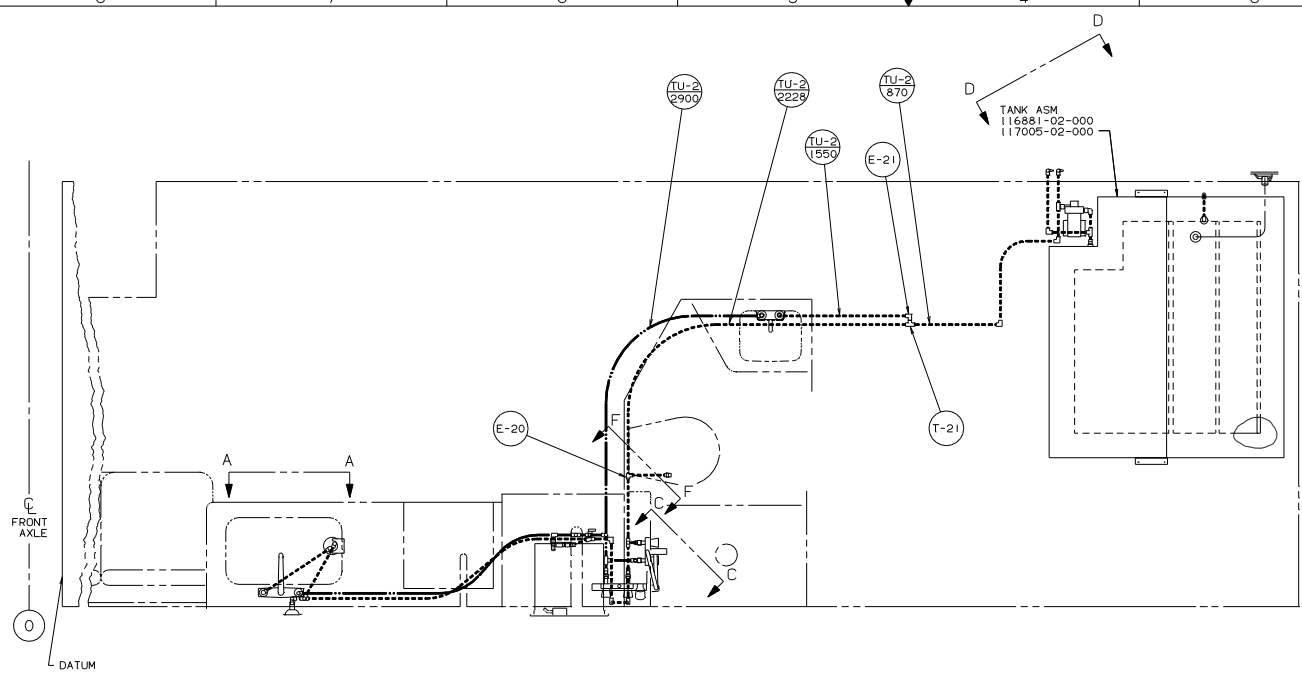
NOTES:

FOR DRAINAGE CALLOUTS SEE DWG NO. 116229-01-000

		95 G34WA	
QTY	UNSPECIFIED TOLERANCES ARE:	MATERIAL:	
CHP	HOLES: DRILL	+	
PL	ONE-PLATE (9.21)	+	
PL	TWO-PLATE (9.200)	+	
PL	ANGLE	+	
CDR	INDICATED PROJECTION	+	
LAND NO.	GW34A5	TITLE:	DRAINAGE SYSTEM INSTL
REV	SCALE: NONE	300 MET SCALE DRAWING	16
ALL DIMENSIONS ARE IN MILLIMETERS		SHEET	1 OF 2
Copyright 2008 Winnebago Industries, Inc.		REF:	111675
115550		115550	



VIEW A-A



- ⑦ CLAMP MUST BE ON BARBS.
- ⑥ USE WITHOUT MOTOR AID.
- ⑤ WITH MOTOR AID.
- ④ LOCATE LUMBER TO SUPPORT WATER HEATER.
- 3. ALL TUBING TO BE SECURED AT 1200 INTERVALS MAX WITH CLIP 91951-01-000 AND SCREW G13-06-16U.
- 2. TUBING TO BE INSTALLED WITH SUFFICIENT SLOPE TO PROVIDE DRAINAGE TO NEAREST VALVE.
- 1. PLASTIC FITTINGS TO BE SEALED WITH SEALANT 84456-01-000.

LEGEND

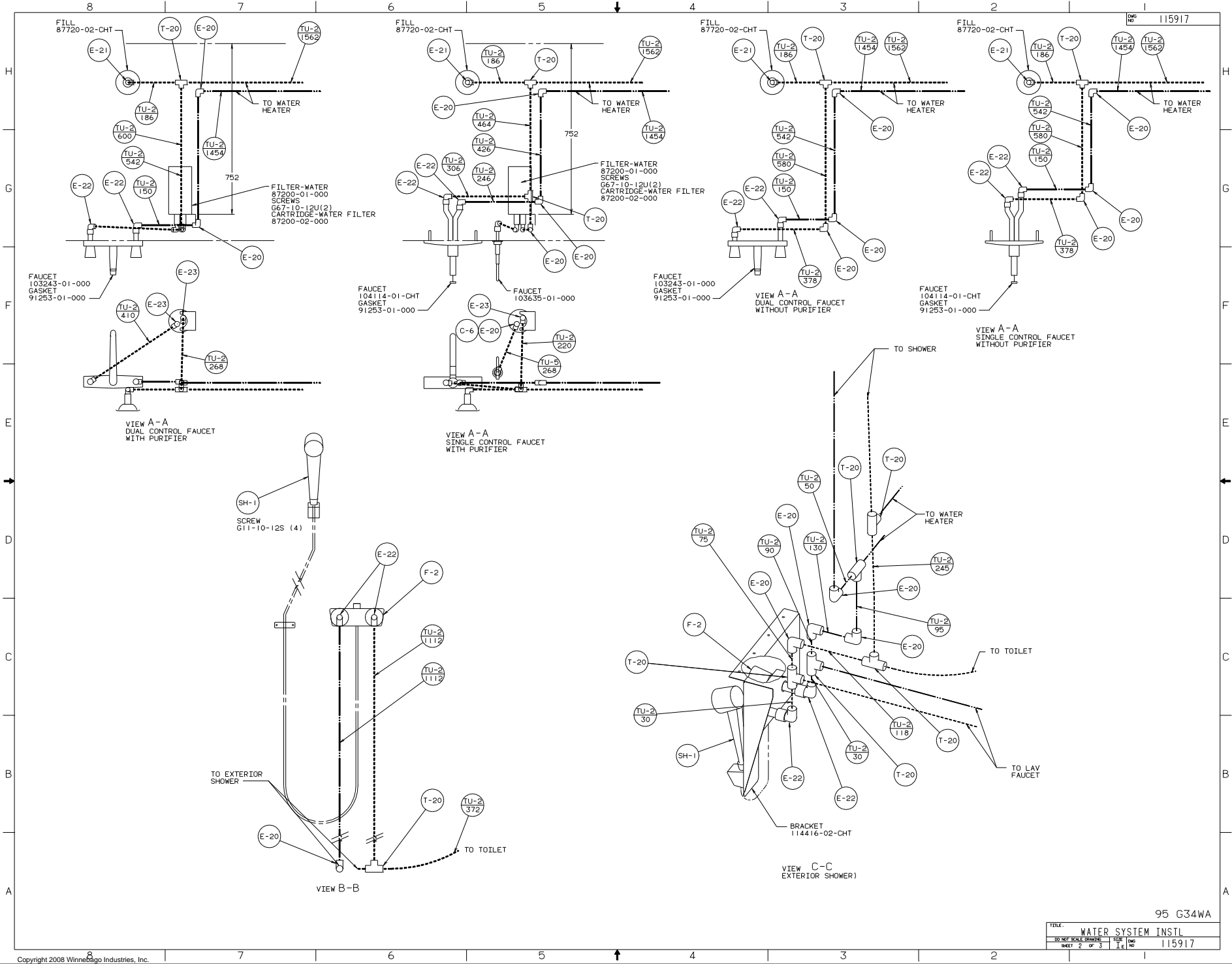
HOT	—————
COLD	-----

X-X FOR WATER CALLOUTS SEE DWS NO. 116230-01-000

**WINNERAGO** 95 G34WA

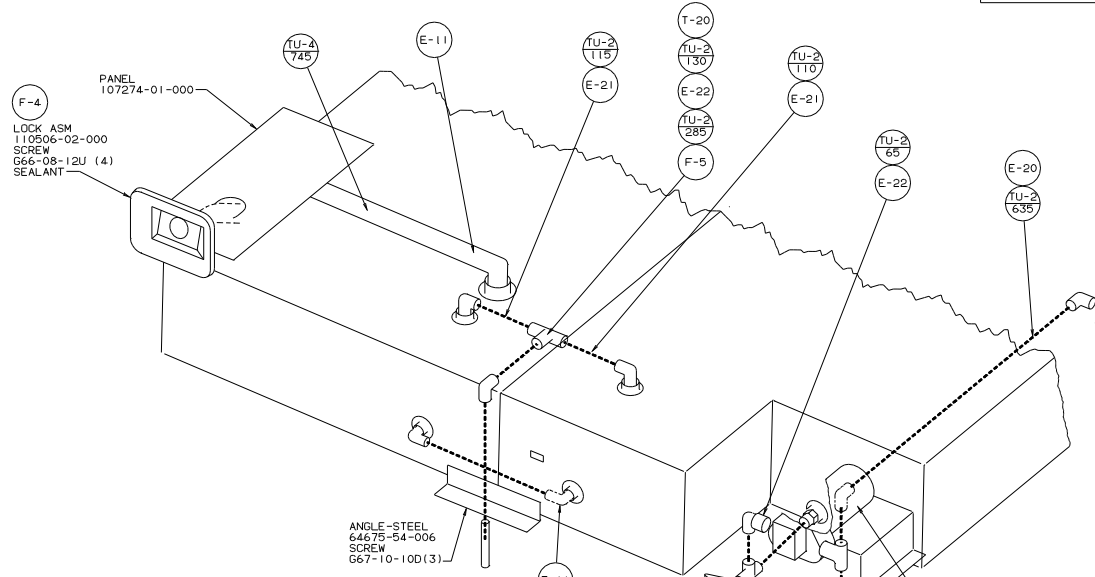
Q/PT	UNSPECIFIED TOLERANCES ARE	MATERIAL
CHP	WHOLE DIM. (IN)	F. F.
F/F	ONE-PLACE (IN. X) .1	
F/E	TWO-PLACE (IN. X) .1	
F/E	WHOLE	
CDR	TRUSS W/ANGLE	PRODUCTION

LABOR: GW34A5 TITLE: WATER SYSTEM INSTL  
 DWS NO. 116230-01-000 SHEET 1 OF 3

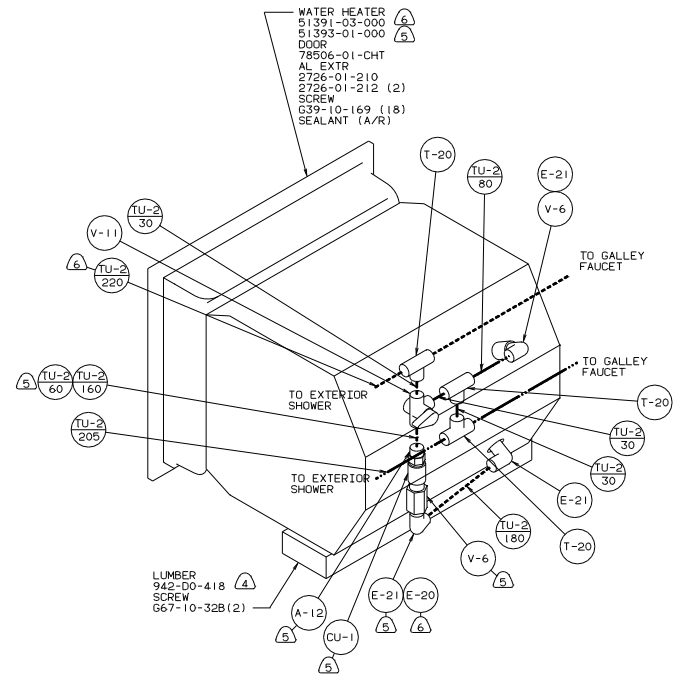


95 G34WA

TITLE		DWG NO	
WATER SYSTEM INSTL		115917	
30 NET SCALE DRAWING	SHEET 2 OF 3	DATE	11/11/08



VIEW G-G



VIEW F-F

TITLE: WATER SYSTEM INSTL	
30 NET SCALE DRAWING	SIZE 1/4" = 1'-0"
SHEET 3 OF 3	DATE 115917