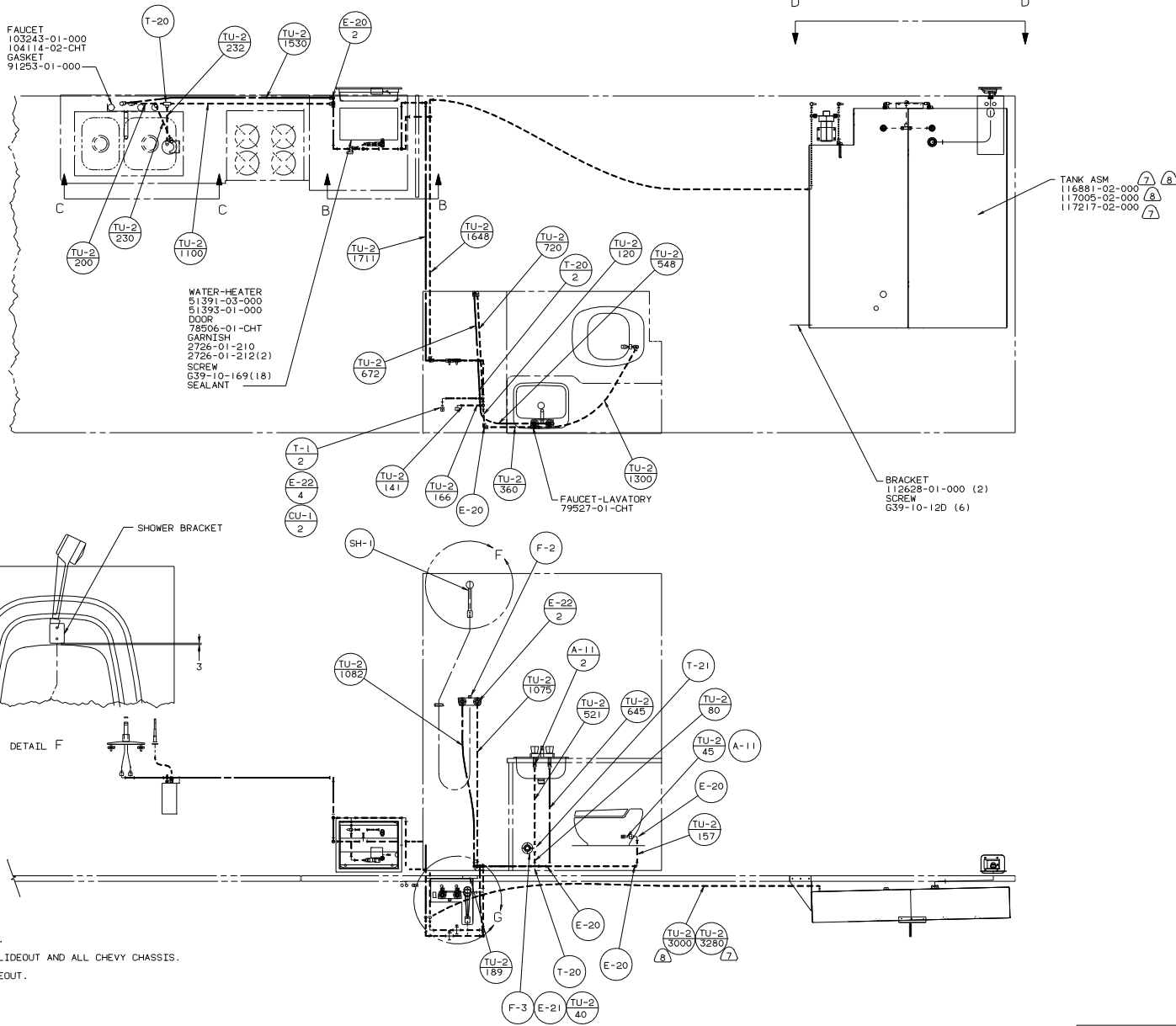


- 10 SECURE VENT TUBES TO FLOOR WITH BRACKET 95061-01-000(2), CLAMP 62401-02-000, PLATE COVER 94346-03-000, SCREW G67-10-12B(2), AND STAPLE 5403-03-000.
- 11 VENT PIPE MUST PROJECT 51 MM MIN AND 63.5 MM MAX ABOVE ROOF FOR PROPER FIT AND FUNCTION.
- 8. SEE DWG 61607-01-000 FOR INSTL OF GROMMETS.
- 7. SEAL ALL AROUND SHOWER WITH SILICONE.
- 6. FOR CAN UNITS EACH HOLDING TANK SHALL HAVE A CSA APPROVAL STAMPED NEAR THE IAPMO APPROVAL.
- 5. EXPOSED PIPE ABOVE ROOF TO BE PAINTED 37163-01-000.
- 4. ALL EXTERIOR OPENINGS AROUND PIPE TO BE SEALED WITH 110744-01-000.
- 3. ALL PIPE AND FITTINGS TO BE ASSEMBLED WITH SOLVENT 4020-01-000.
- 2. SLOPE OF TRAP ARM MUST BE 6 PER 305.
- 1. SLOPE OF HORIZONTAL PIPING TO BE 6 PER 305 MIN.

- 13 NOT USED ON CANADIAN UNITS.
- 12 USE WITH NONPUSHER.
- 11 USE WITH PUSHER

FOR DRAINAGE CALLOUTS SEE DWG NO. 116229-01-000

WINNERAGO 95 G34RQ.I			
DRN	UNSPECIFIED TOLERANCES ARE	MATERIAL	
CHP	WHOLE DIM IN	FRACTIONS	
FIN	ONE PLACE IN 10	TWO PLACE IN 100	
ENG	FRACTIONS		
DRAWING MADE FROM PROJECT			
LAYOUT NO. G34R05	TITLE: DRAINAGE SYSTEM INSTL	DRAWING NO. 115054	
REV. SCALE	NO. REV. SCALE	TITLE	DATE
1	2	1	1



FAUCET
 103243-01-000
 104114-02-CHT
 GASKET
 91253-01-000

WATER-HEATER
 51391-03-000
 51392-01-000
 DOOR
 79506-01-CHT
 GARNISH
 2726-01-210
 2726-01-212(2)
 SCREW
 G39-10-169(18)
 SEALANT

TANK ASM
 116881-02-000
 117005-02-000
 117217-02-000

FAUCET-LAVATORY
 79527-01-CHT

BRACKET
 112528-01-000 (2)
 SCREW
 G39-10-12D (6)

SHOWER BRACKET

DETAIL F

LEGEND

HOT	—————
COLD	-----

(X-X) FOR WATER CALLOUTS SEE DWG NO. 116230-01-000

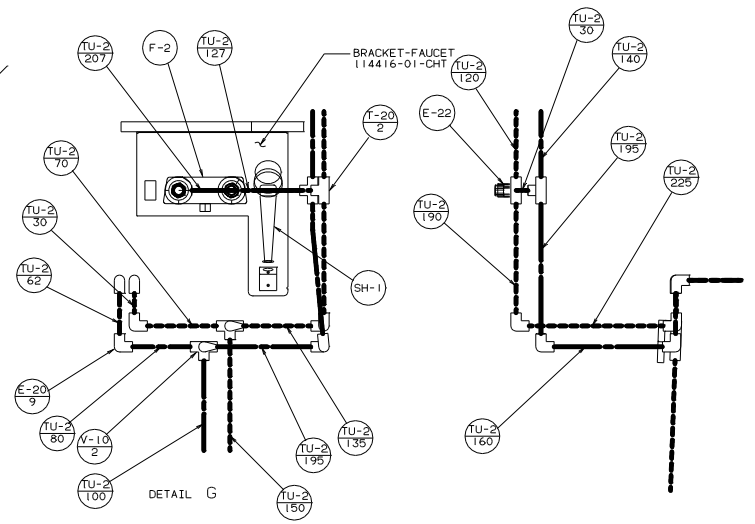
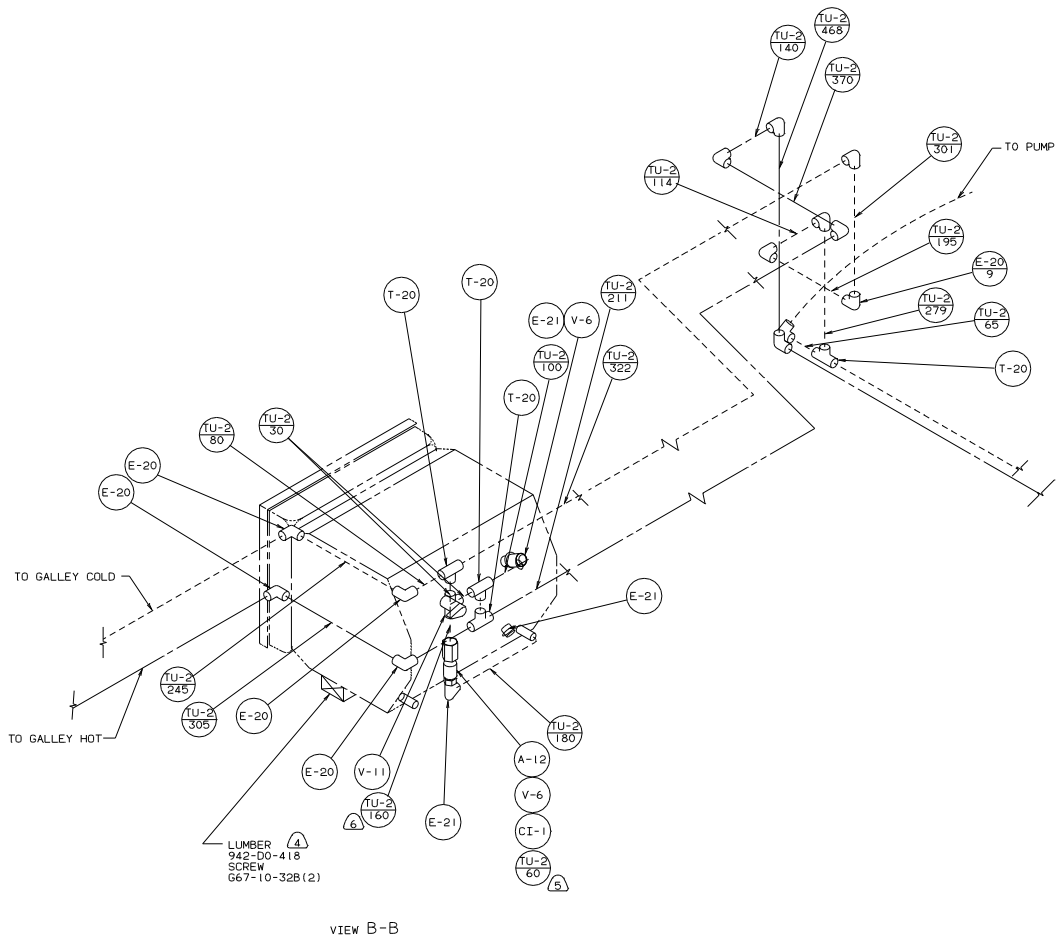
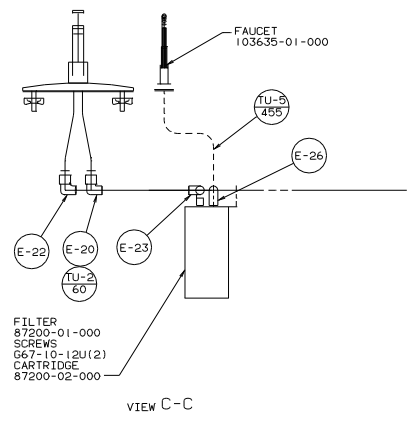
- 9) CLAMP MUST BE ON BARBS.
 - 8) FORD CHASSIS WITHOUT SLIDEOUT AND ALL CHEVY CHASSIS.
 - 7) FORD CHASSIS WITH SLIDEOUT.
 - 6) USE WITHOUT MOTOR AID.
 - 5) USE WITH MOTOR AID.
 - 4) LOCATE LUMBER TO SUPPORT WATER HEATER.
3. ALL TUBING TO BE SECURED AT 1200 INTERVALS MAX WITH CLAMP 10495-01-000 OR CLIP 91951-01-000 AND SCREW G67-10-12B.
2. TUBING TO BE INSTALLED WITH SUFFICIENT SLOPE TO PROVIDE DRAINAGE TO NEAREST VALVE.
1. PLASTIC FITTINGS TO BE SEALED WITH SEALANT 84456-01-000.

WINNEAGO 95 G34R0.I

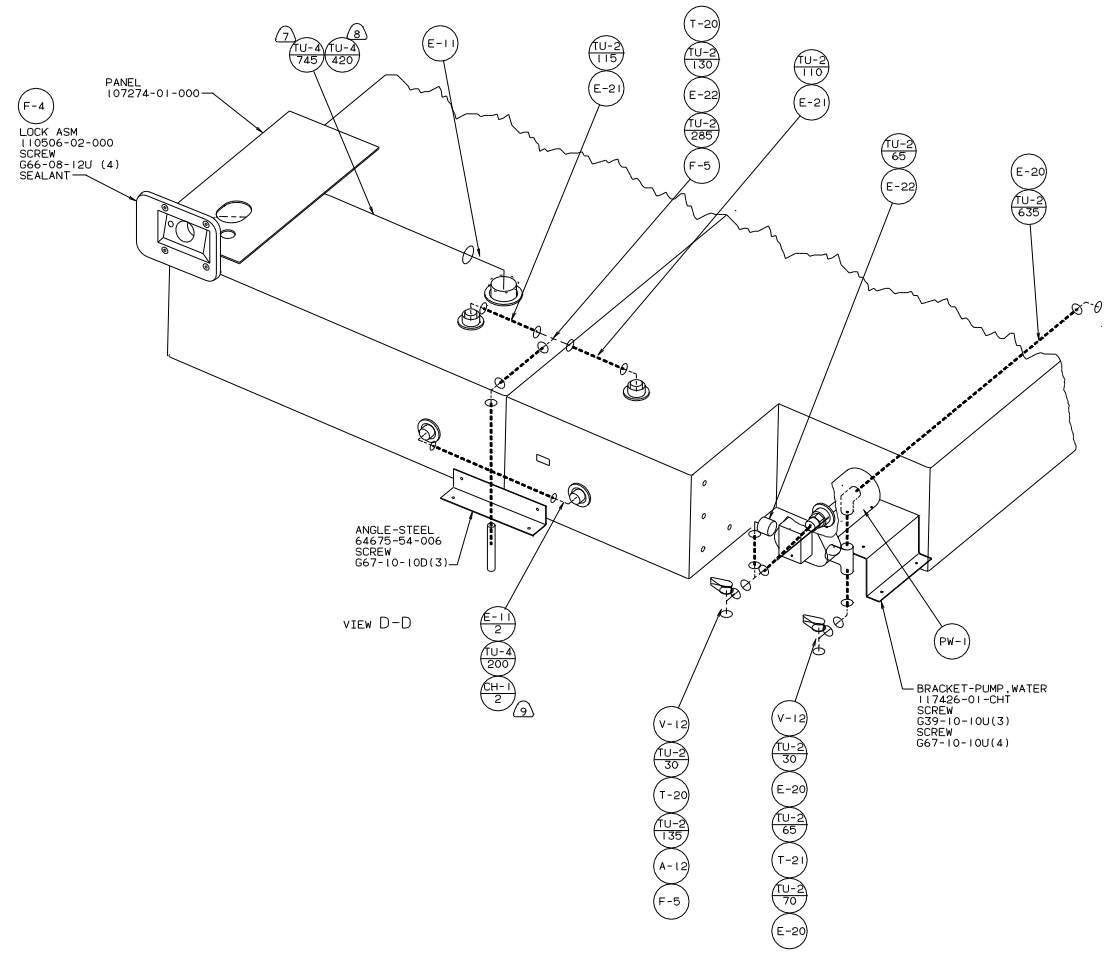
DATE	REV	BY	CHK	APP

UNSPECIFIED TOLERANCES ARE:
 HOLE DIA: .015 ± .01
 ONE-PLATE: .015 ± .01
 TWO-PLATE: .015 ± .01
 HOLE: .015 ± .01
 TUBING: AS MANUFACTURED

LAYOUT NO. G34R05 TITLE: WATER SYSTEM INSTL
 SHEET 1 OF 3



TITLE:		WATER SYSTEM INSTL	
30 NET SCALE DRAWING	SIZE	DATE	DWG NO
SHEET 2 OF 3	1/16"		115055



VIEW D-D

TITLE: WATER SYSTEM INSTL	
30 NET SCALE DRAWING	SIZE 11
SHEET 3 OF 3	DATE 115055