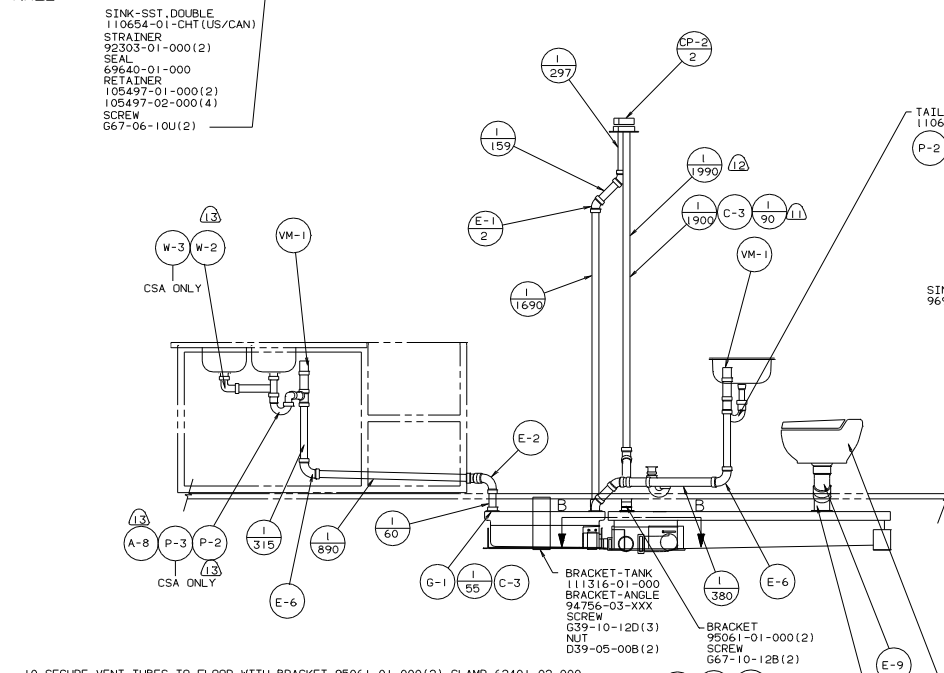
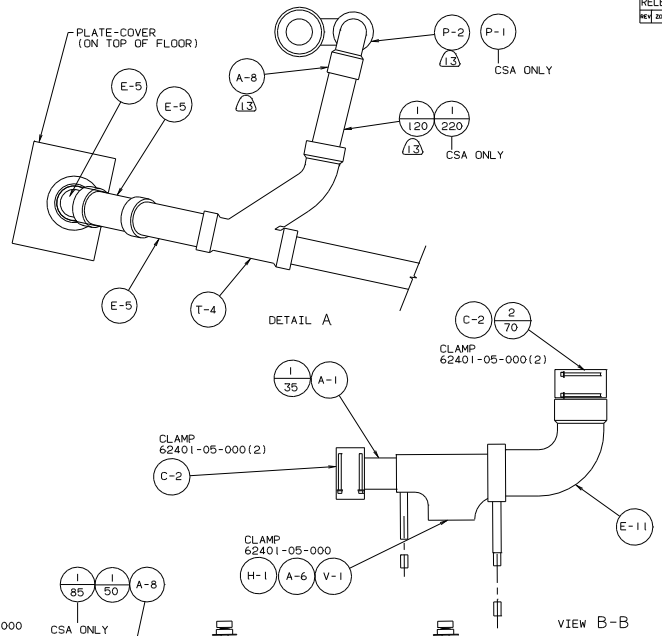


- SINK-SST, DOUBLE
 110654-01-CHT(US/CAN)
- STRAINER
 92303-01-000(2)
- SEAL
 69640-01-000
- RETAINER
 105497-01-000(2)
- 105497-02-000(4)
- SCREW
 667-06-10U(2)



- 10 SECURE VENT TUBES TO FLOOR WITH BRACKET 95061-01-000(2), CLAMP 62401-02-000, PLATE COVER 94346-03-000, SCREW G67-10-12B(2), AND STAPLE 5403-03-000.
- 11 VENT PIPE MUST PROJECT 51 MM MIN AND 63.5 MM MAX ABOVE ROOF FOR PROPER FIT AND FUNCTION.
8. SEE DWG 61607-01-000 FOR INSTL OF GROMMETS.
7. SEAL ALL AROUND SHOWER WITH SILICONE.
6. FOR CAN UNITS EACH HOLDING TANK SHALL HAVE A CSA APPROVAL STAMPED NEAR THE IAPMO APPROVAL.
5. EXPOSED PIPE ABOVE ROOF TO BE PAINTED 37163-01-000.
4. ALL EXTERIOR OPENINGS AROUND PIPE TO BE SEALED WITH 110744-01-000.
3. ALL PIPE AND FITTINGS TO BE ASSEMBLED WITH SOLVENT 4020-01-000.
2. SLOPE OF TRAP ARM MUST BE 6 PER 305.
1. SLOPE OF HORIZONTAL PIPING TO BE 6 PER 305 MM.

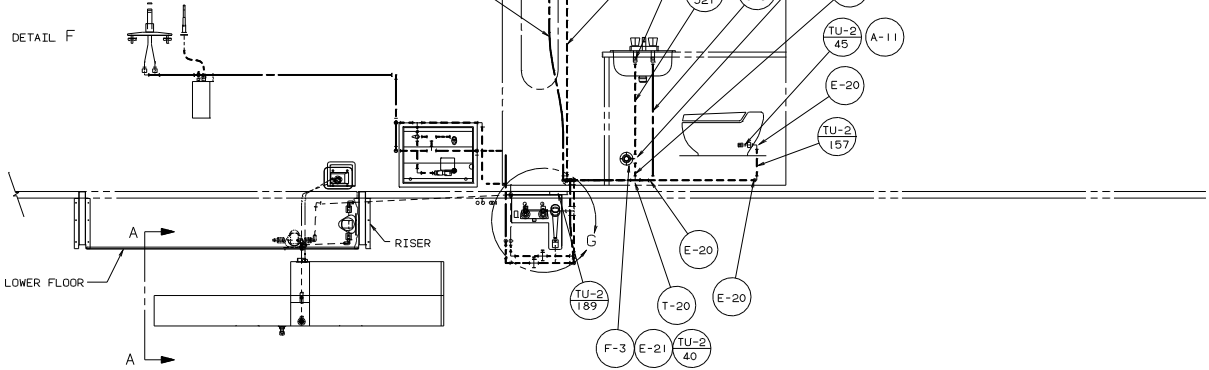
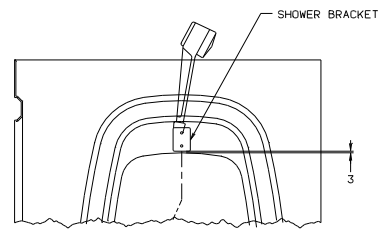
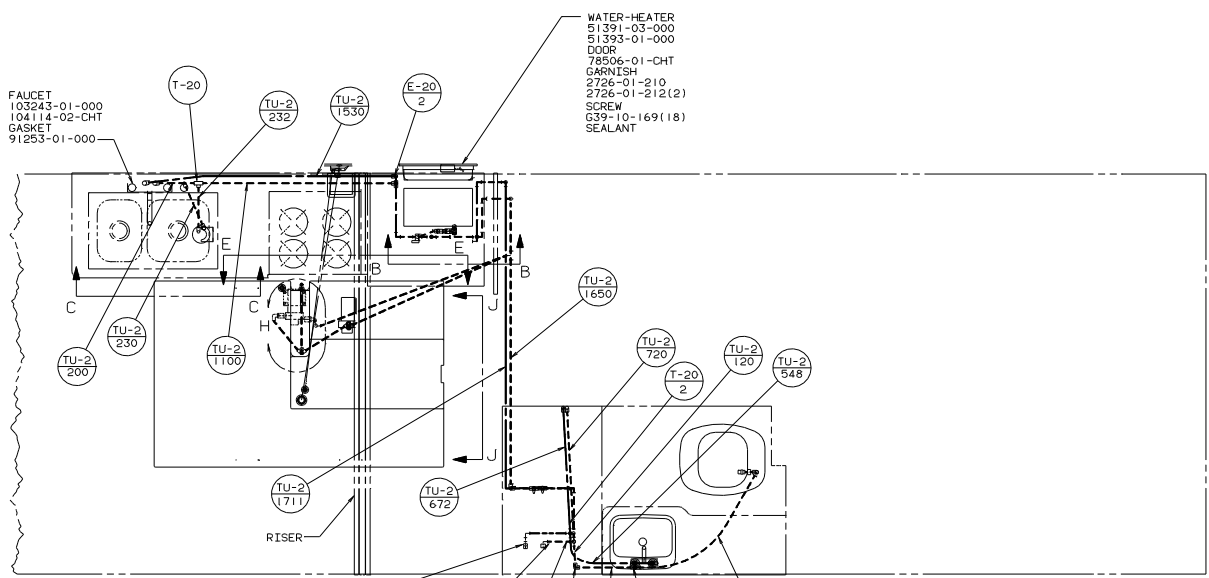
- 13 NOT USED ON CANADIAN UNITS.
- 12 USE WITH NONPUSHER.
- 11 USE WITH PUSHER

FOR DRAINAGE CALLOUTS SEE DWG NO. 116229-01-000

WINNERAGO 95 G34R0.I	
DATE	UNSPECIFIED TOLERANCES ARE MATERIAL
CHG	SCALE 1:1
REV	ONE-PLACE (IN 31)
REV	TWO-PLACE (IN 31)
REV	ANGLE
REV	TRUSS W/ANGLE PROTECTION
REV	OTHER
LABOR #	SCALE
NO. OF SHEETS	NO. OF SHEETS
DATE	DATE
NO.	NO.

DRAINAGE SYSTEM INSTL

REF: 111400



- 6 USE WITHOUT SLIDEOUT.
 5 USE WITH SLIDEOUT.
 4 LOCATE LUMBER TO SUPPORT WATER HEATER.
3. ALL TUBING TO BE SECURED AT 1200 INTERVALS MAX WITH CLAMP 10495-01-000 OR CLIP 91951-01-000 AND SCREW G67-10-12B.
2. TUBING TO BE INSTALLED WITH SUFFICIENT SLOPE TO PROVIDE DRAINAGE TO NEAREST VALVE.
1. PLASTIC FITTINGS TO BE SEALED WITH SEALANT 84456-01-000.

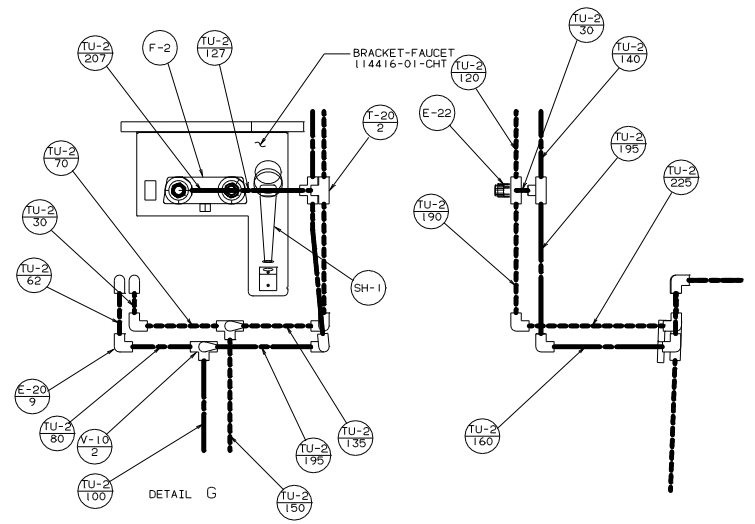
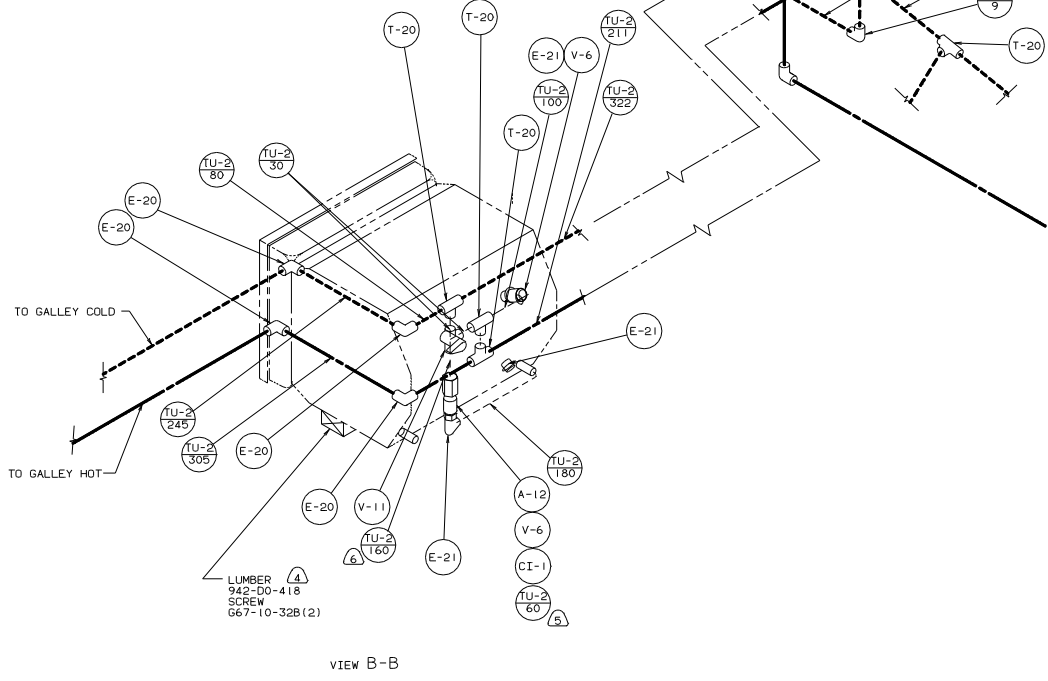
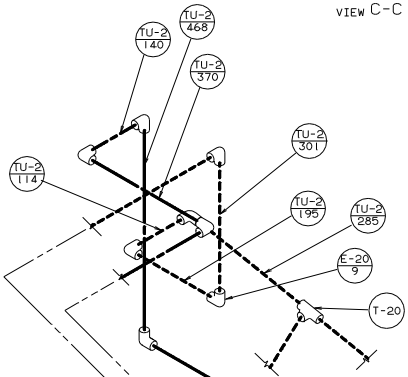
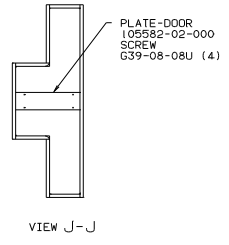
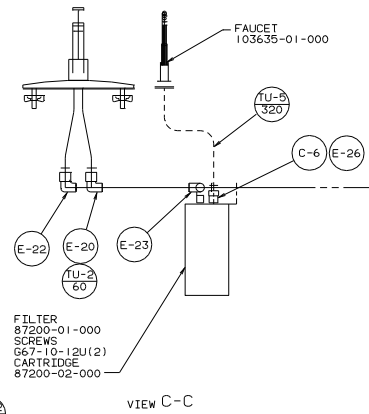
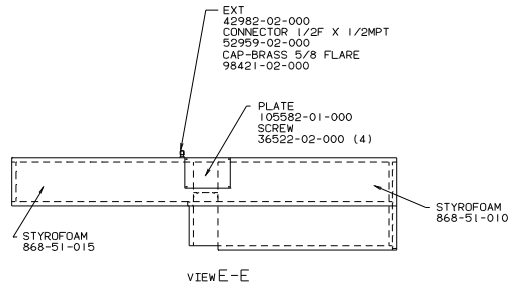
X-X FOR WATER CALLOUTS SEE DWG NO. 116230-01-000

LEGEND	
HOT	—————
COLD	-----

WINNEGAGO 95 G34RQ.I

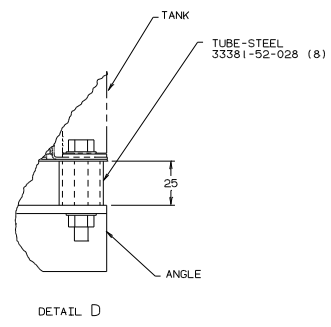
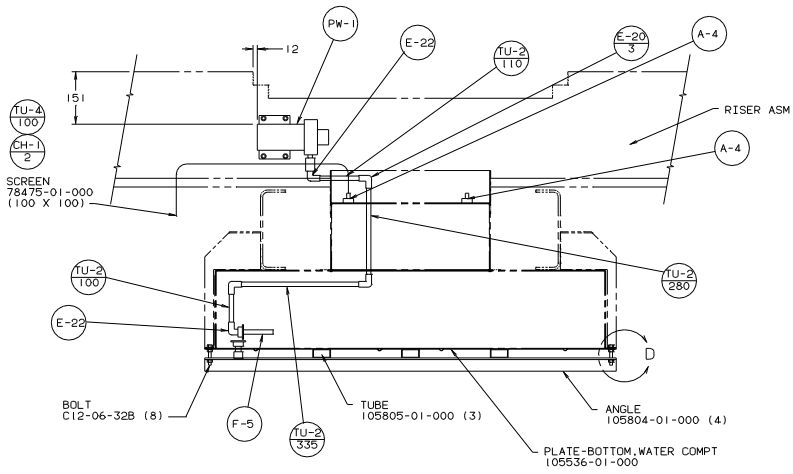
QTY	UNSPECIFIED TOLERANCES ARE	MATERIAL
CHP	WHOLE ONE (1)	"
FR	ONE-PLATE (1X 31)	"
FR	NIP-PLATE (1X 33)	"
FR	ANGLE	"
FR	TRUSS ANGLE	"
FR	PROJECTION	"

LAYOUT NO. G34K05 TITLE: WATER SYSTEM INSTL
 REV. # SCALE: NONE 30 NET SCALE DRAWING SHEET 1 OF 3
 ALL DIMENSIONS ARE IN MILLIMETERS SHEET 1 OF 3 116303

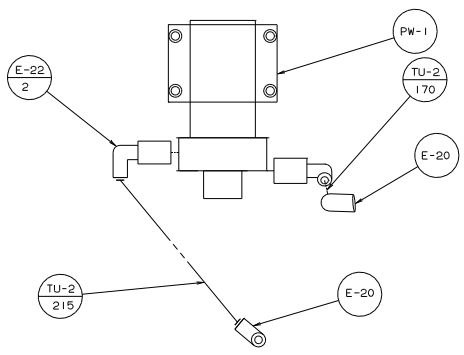


95 G34RQ, I PUSH

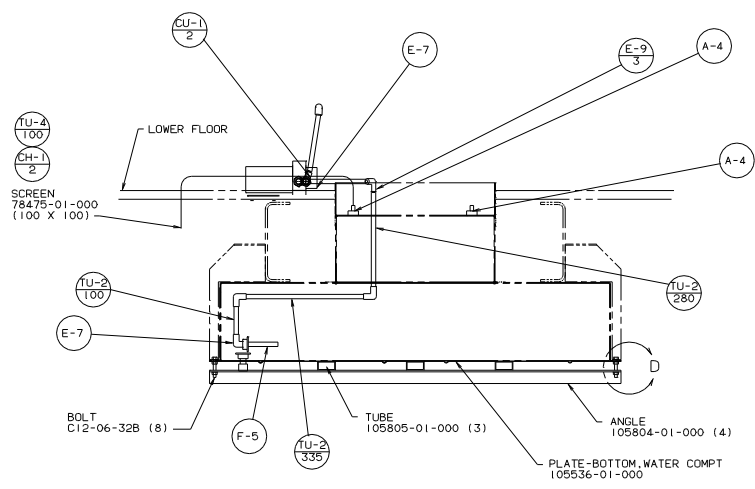
TITLE: WATER SYSTEM INSTL	
30 NET SCALE DRAWING	SIZE 1/4"
SHEET 2 OF 3	DATE 116303



VIEW A-A (6)



DETAIL H (5)



VIEW A-A (8)

TITLE: WATER SYSTEM INSTL	
30 NET SCALE DRAWING	1/16
SHEET 3 OF 3	116303