

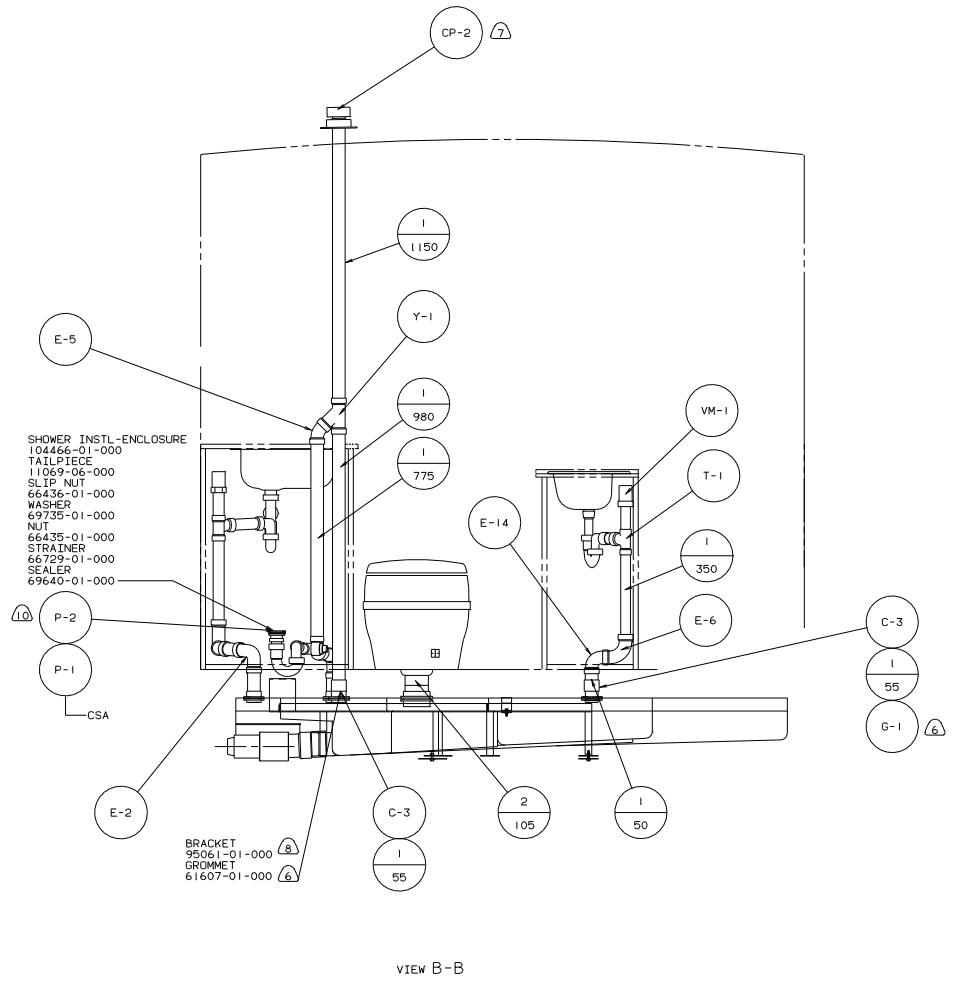
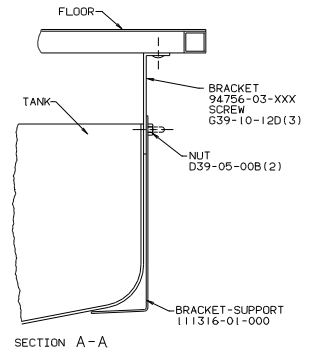
7. VENT PIPE MUST BE PROJECTED 51 TO 64 MAXIMUM ABOVE ROOF FOR PROPER FIT AND FUNCTION.
6. SEE DRAWING 61607-01-000 FOR INSTALLATION OF GROMMET.
5. SEAL ALL AROUND SHOWER WITH SILICONE 78474-01-CHT.
4. FOR CANADIAN UNITS EACH HOLDING TANK SHALL HAVE A CSA APPROVAL STAMPED NEAR IAPMO APPROVAL.
3. ALL PIPE AND FITTINGS TO BE ASSEMBLED WITH SOLVENT 4020-01-000.
2. SLOPE OF TRAP MUST BE 6 PER 300 MINIMUM.
1. SLOPE OF HORIZONTAL PIPING TO BE 6 PER 300 MINIMUM.

10. NOT USED ON CANADIAN UNIT.
9. TRIM P-TRAP EXTENSION TO FIT.
8. SECURE VENT TUBES TO FLOOR.

FOR DRAINAGE CALLOUTS SEE DWG NO. 116229-01-000

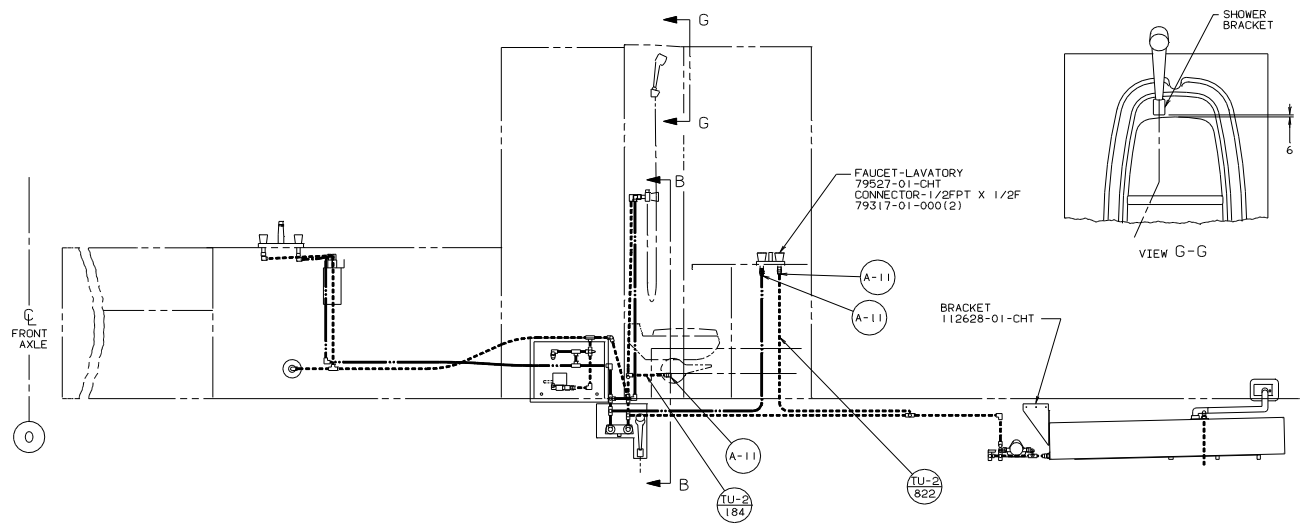
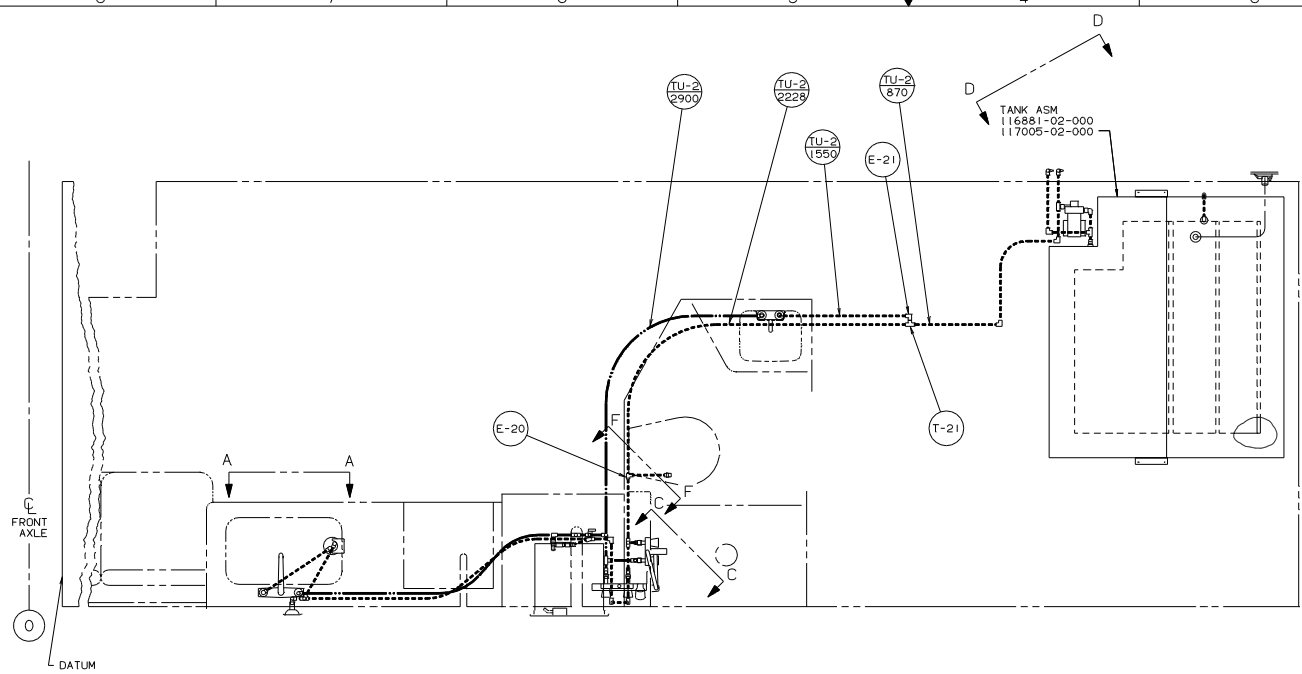
WINNIEGAGO 94 G34RA

| | |
|-----------------------------------|--------------------------------------|
| QTY: | UNSPECIFIED QUANTITIES ARE MATERIAL. |
| CHRS: | WELD DIA 1/8" |
| F/F: | ONE-PLATE DIA #1 |
| M/E: | TWO-PLATE DIA #83 |
| CONC: | INDICATED ANGLE PROTECTION |
| LAVATORY | GGEN94 |
| NO. OF SCALE | NOTE |
| NO. OF SCALE | DRAWING |
| ALL DIMENSIONS ARE IN MILLIMETERS | SHEET 1 OF 2 |
| DATE | NO |
| DRAINAGE SYSTEM INSTL | |
| REF: 104618 | |
| 111675 | |



94 G34RA

| | | | |
|-----------------------|--------|---------|-----|
| TITLE | | DRAWING | |
| DRAINAGE SYSTEM INSTL | | 111675 | |
| SHEET | 2 OF 2 | REV | 1 E |

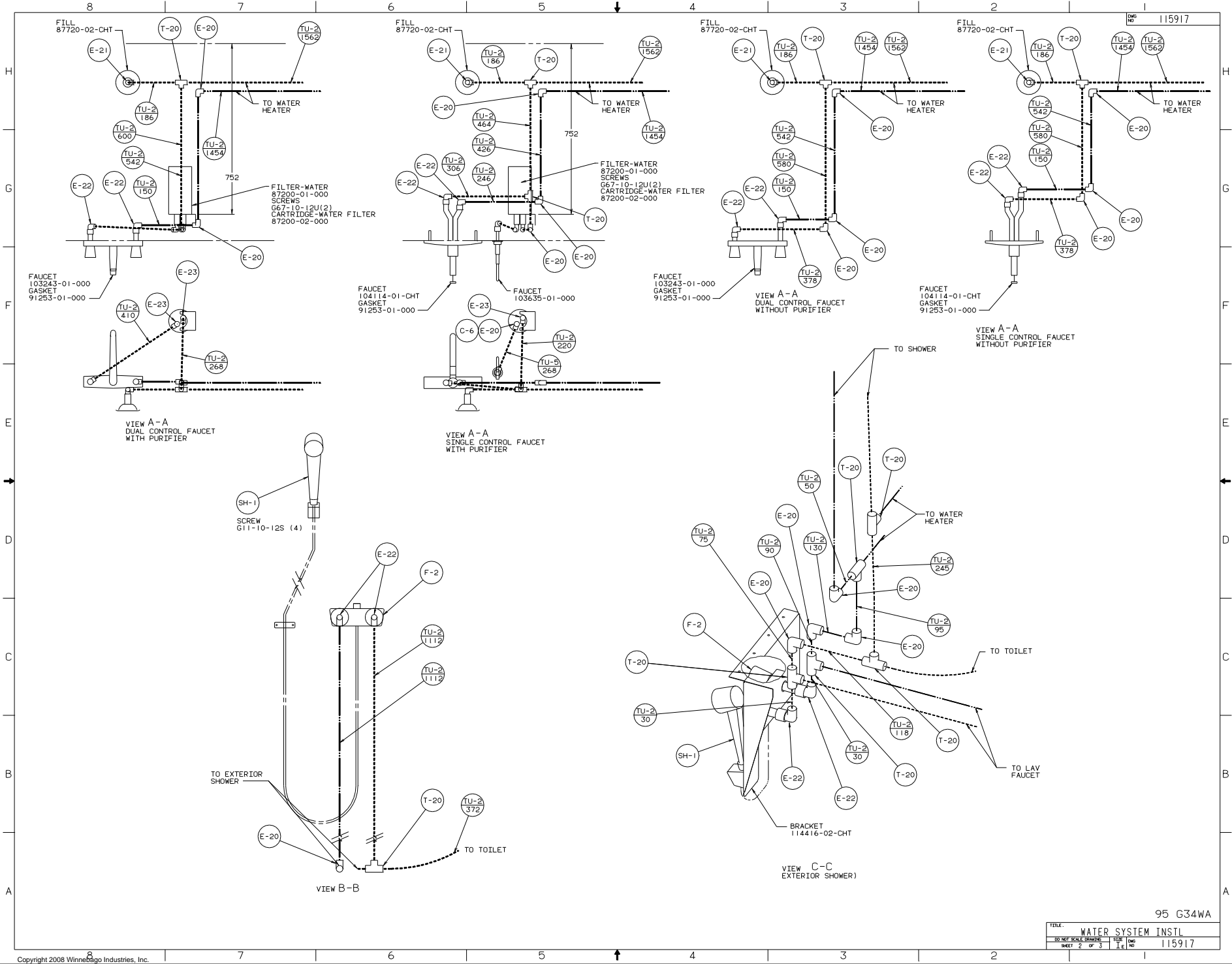


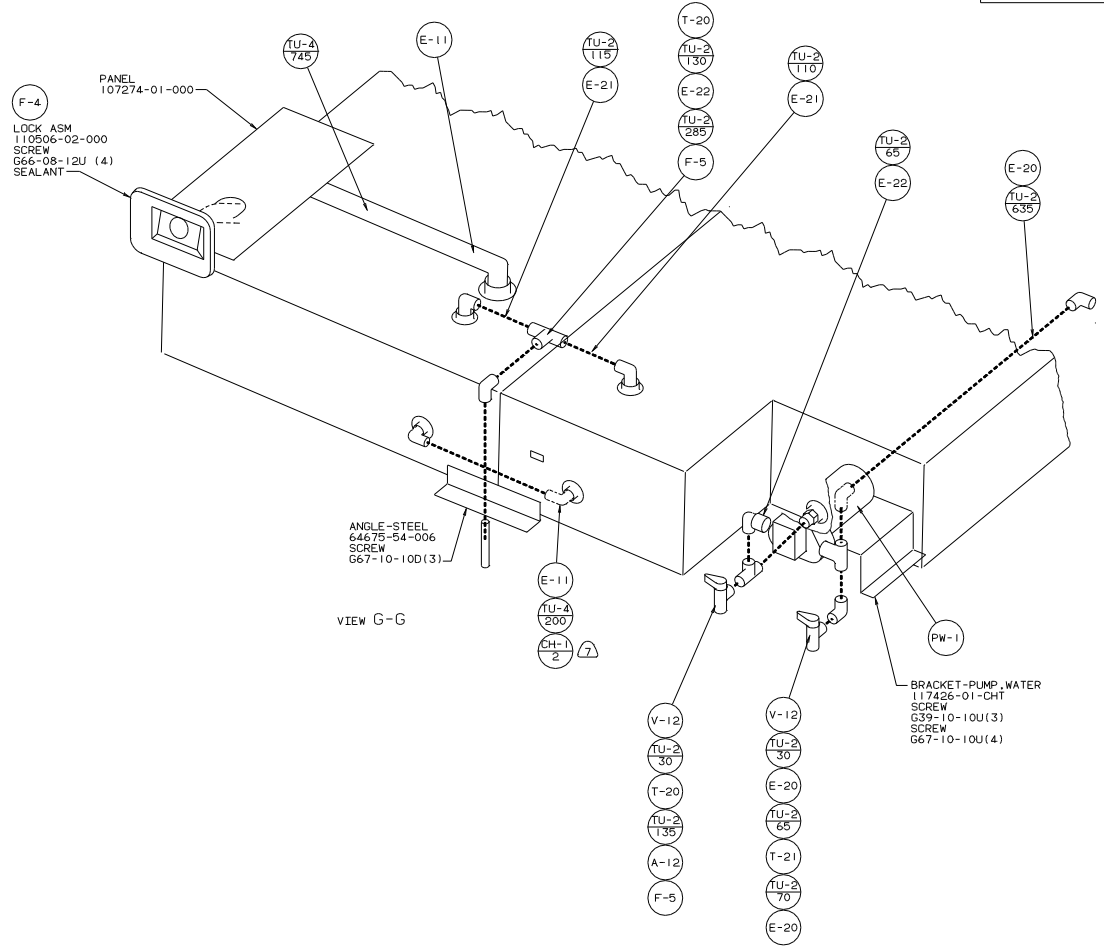
- ⑦ CLAMP MUST BE ON BARBS.
- ⑥ USE WITHOUT MOTOR AID.
- ⑤ WITH MOTOR AID.
- ④ LOCATE LUMBER TO SUPPORT WATER HEATER.
- 3. ALL TUBING TO BE SECURED AT 1200 INTERVALS MAX WITH CLIP 91951-01-000 AND SCREW G13-06-16U.
- 2. TUBING TO BE INSTALLED WITH SUFFICIENT SLOPE TO PROVIDE DRAINAGE TO NEAREST VALVE.
- 1. PLASTIC FITTINGS TO BE SEALED WITH SEALANT 84456-01-000.

| LEGEND | |
|--------|-------|
| HOT | ————— |
| COLD | ----- |

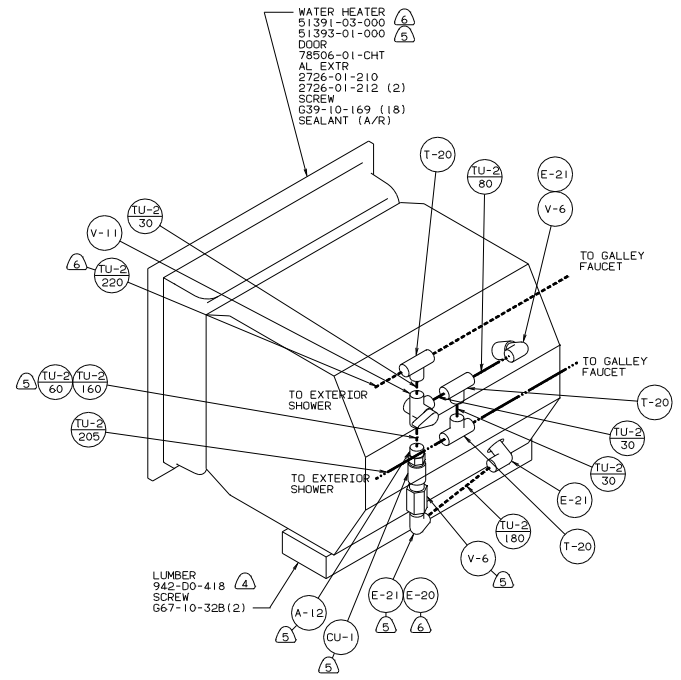
X-X FOR WATER CALLOUTS SEE DWS NO. 116230-01-000

| | | |
|-----------------------------------|----------------------------|---------------------------|
| WINNERAGO | | 95 G34WA |
| Q/PT | UNSPECIFIED TOLERANCES ARE | MATERIAL |
| CHP | WHOLE DIM. (X) | F |
| FR | ONE-PLACE (X, X) | F |
| FR | TWO-PLACE (X, X) | F |
| FR | ANGLE | F |
| CDR | TWO-ANGLE PROJECTION | F |
| LDRW NO. | GW34A5 | TITLE: WATER SYSTEM INSTL |
| REV # | SCALE: NONE | 30 NET SCALE DRAWING |
| ALL DIMENSIONS ARE IN MILLIMETERS | SHEET 1 OF 3 | DATE 11/19/17 |





VIEW G-G



VIEW F-F

| | |
|---------------------------|--------|
| TITLE: WATER SYSTEM INSTL | |
| 30 NET SCALE DRAWING | 115917 |
| SHEET 3 OF 3 | 115917 |