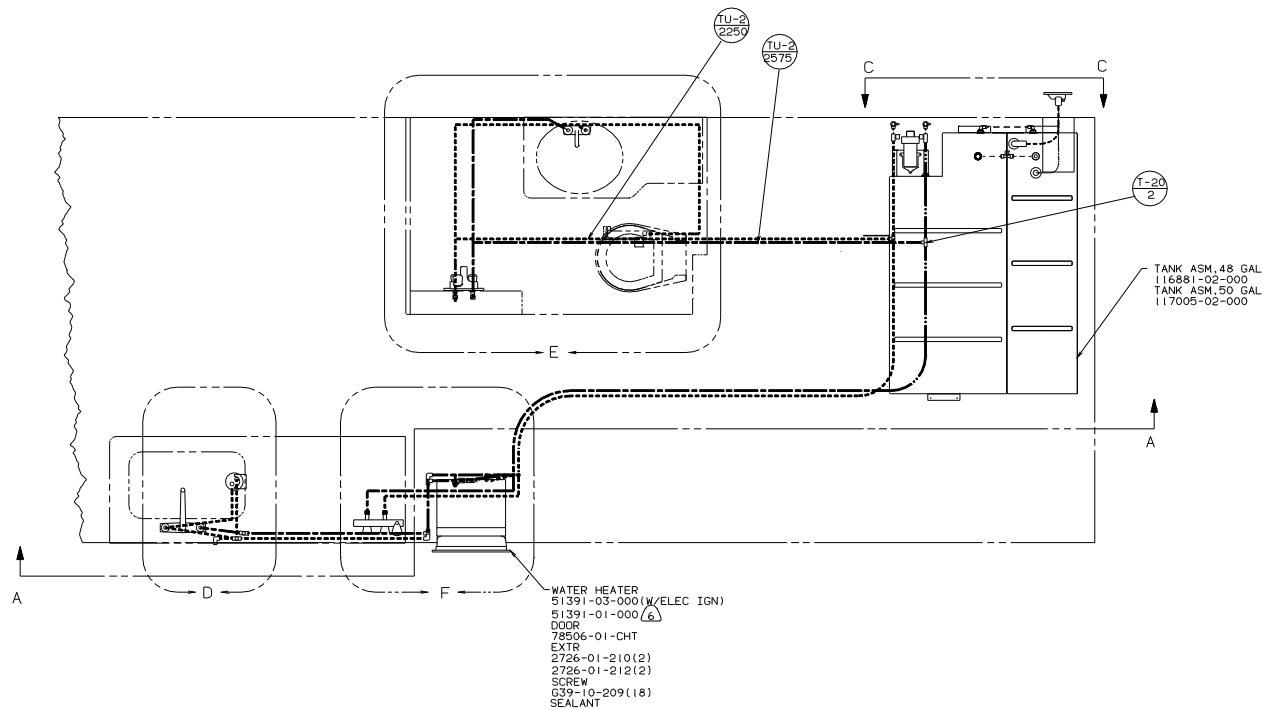


- 1. TRIM P-TRAP EXTENSION TO FIT.
- 2. SECURE VENT TUBES TO FLOOR WITH BRACKET 95061-01-000(2), CLAMP 62401-02-000, PLATE COVER 94346-03-000, SCREW G67-10-12B(2), AND STAPLE 5403-03-000.
- 3. VENT PIPE MUST PROJECT 51 MM MIN AND 63.5 MM MAX ABOVE ROOF FOR PROPER FIT AND FUNCTION.
- 4. SEE DWG 61607-01-000 FOR INSTL OF GROMMETS.
- 5. SEAL ALL AROUND SHOWER WITH SILICONE.
- 6. FOR CAN UNITS EACH HOLDING TANK SHALL HAVE A CSA APPROVAL STAMPED NEAR THE IAMPO APPROVAL.
- 7. EXPOSED PIPE ABOVE ROOF TO BE PAINTED 37163-01-000.
- 8. ALL EXTERIOR OPENINGS AROUND PIPE TO BE SEALED WITH 110744-01-000.
- 9. ALL PIPE AND FITTINGS TO BE ASSEMBLED WITH SOLVENT 4020-01-000.
- 10. SLOPE OF TRAP ARM MUST BE 6 PER 305.
- 11. SLOPE OF HORIZONTAL PIPING TO BE 6 PER 305 MIN.

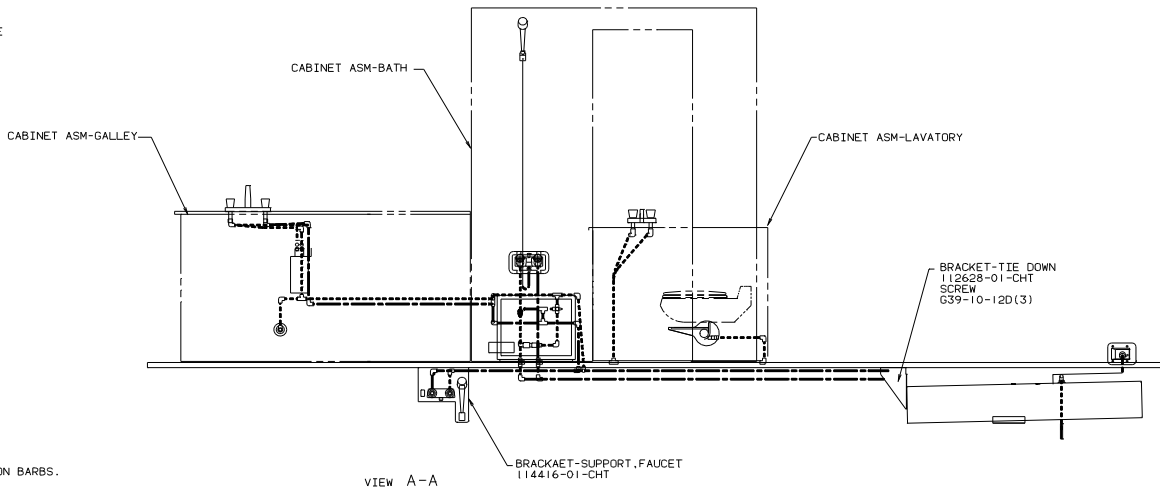
(12) NOT USED ON CANADIAN UNITS.

FOR DRAINAGE CALLOUTS SEE DWG NO. 116229-01-000

WINNEMAGO		95 G32W0
DATE	UNSPECIFIED TOLERANCES ARE:	MATERIAL:
CHKD	WHOLE DIM (1)	
DWG	ONE-PLACE (1X.2)	
REV	TWO-PLACE (1X.05)	
CDR	THREE-PLACE (1X.01)	
	THREE-PLACE (1X.005)	
	THREE-PLACE (1X.002)	
	THREE-PLACE (1X.001)	
LANSH	TITLE: DRAINAGE SYSTEM INSTL	
DWG NO. GW32R05	SHEET 1 OF 1	
SCALE: NONE	300 MM SCALE (DRAWING)	1:1
ALL DIMENSIONS ARE IN MILLIMETERS		1:1
REF: 111982		115921



FRONT AXLE  
0



FRONT AXLE  
0

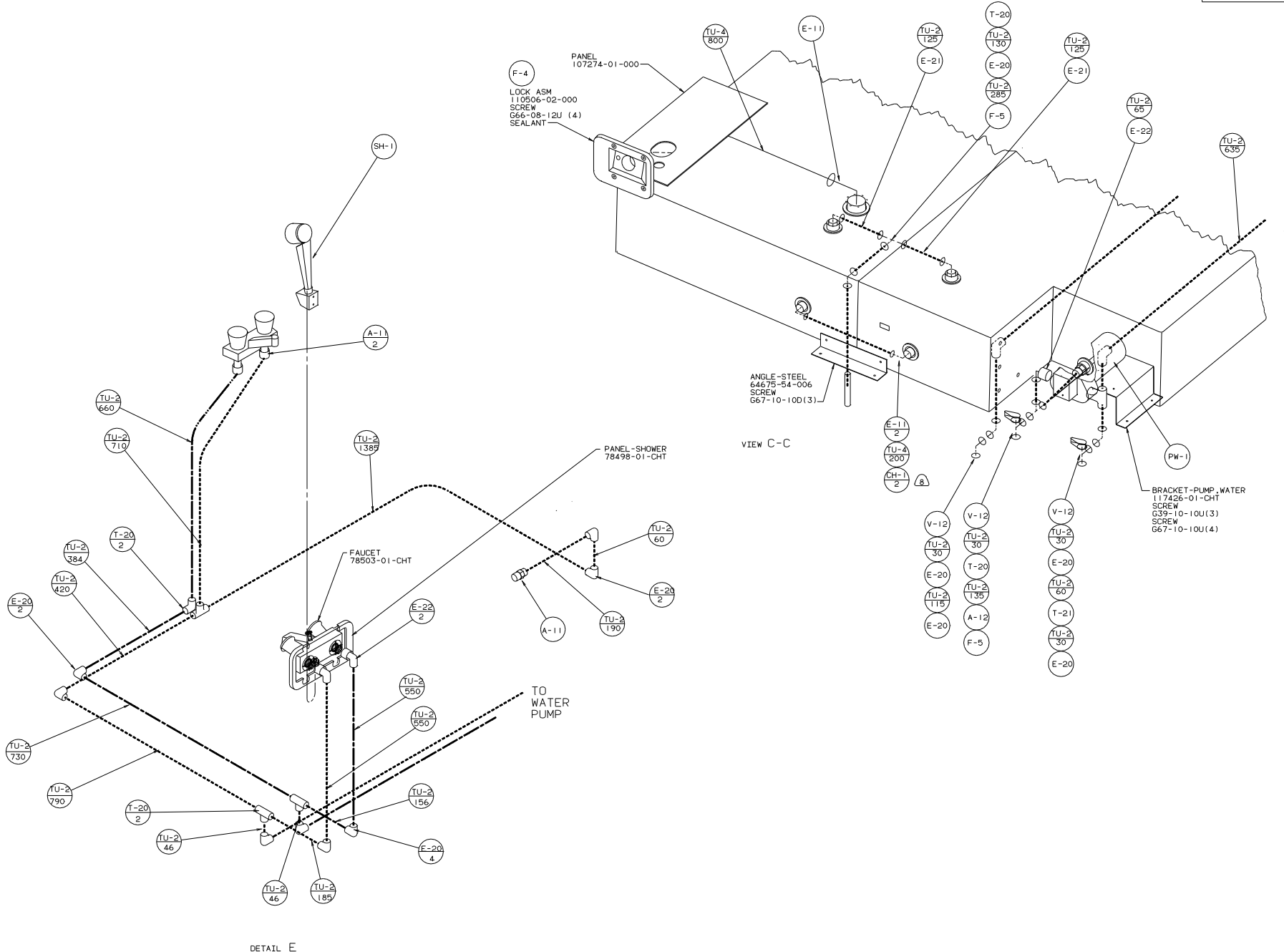
- (8) CLAMP MUST BE ON BARBS.
  - (7) USE WITHOUT MOTOR AID.
  - (6) USE WITH MOTOR AID.
  - (5) USE WITHOUT EXTERIOR SHOWER.
  - (4) USE WITH EXTERIOR SHOWER.
3. ALL TUBING TO BE SECURED AT 1200 INTERVALS MAX WITH CLAMP 10495-01-000 OR CLIP 91951-01-000 AND SCREW G67-10-12B.
2. TUBING TO BE INSTALLED WITH SUFFICIENT SLOPE TO PROVIDE DRAINAGE TO NEAREST VALVE.
1. PLASTIC FITTINGS TO BE SEALED WITH SEALANT 84456-01-000.

LEGEND	
HOT	————
COLD	-----

(X-X)  
FOR WATER CALLOUTS SEE DWG NO. 116230-01-000

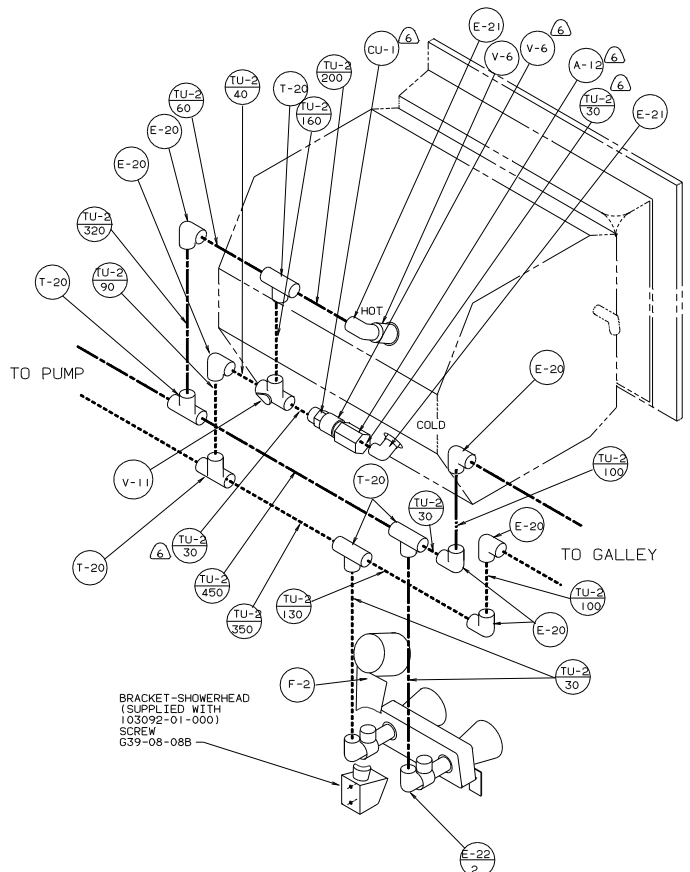
WINNEGAGO		95 G32W0
QTY	UNSPECIFIED TOLERANCES ARE	MATERIAL
CHDR	WHOLE DIM. (1)	"
FR	ONE-PLACE (19, 31)	"
FIN	TWO-PLACE (19, 31)	"
DR	WHOLE	"
CDR	TWO-PLACE	"
PRODUCTION		

LAYOUT NO. GW32R05 TITLE: WATER SYSTEM INSTL  
 REV. 1 OF 3 SHEET 1 OF 3 REF: 104739 115920

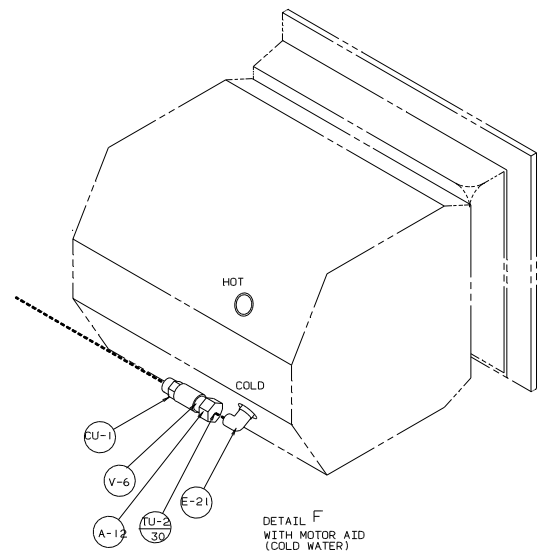


DETAIL E

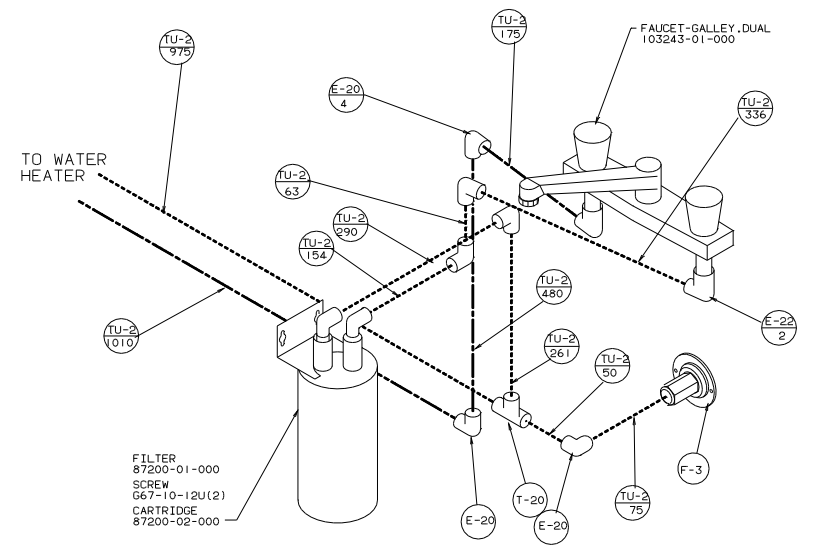
TITLE		WATER SYSTEM INSTL	
30 NET SCALE DRAWING	REV	DATE	DWG NO
SHEET 2 OF 3	1		115920



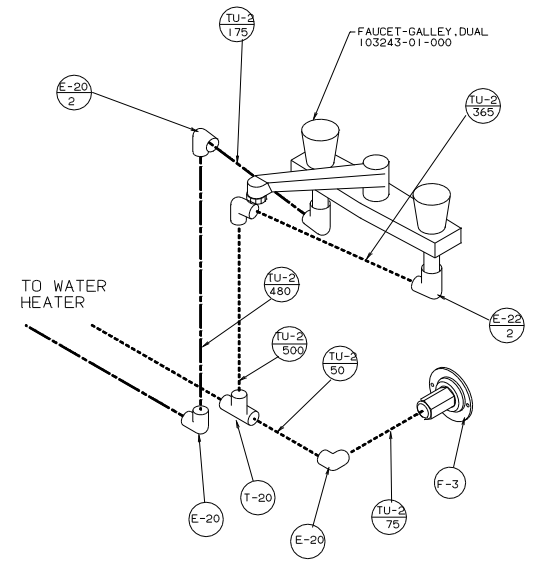
DETAIL F  
(WITH BYPASS)



DETAIL F  
WITH MOTOR AID  
(COLD WATER)



DETAIL D  
(WITH PURIFIER)



DETAIL D  
(WITHOUT PURIFIER)

95 G32WQ	
TITLE: WATER SYSTEM INSTL	
30 NET SCALE DRAWING	SIZE 11E
SHEET 3 OF 3	DWG NO 115920