

- SHOWER INSTL-ENCLOSURE
- 104456-01-000
- STRAINER-TUB
- 66729-01-000
- SEALER
- 69640-01-000
- NUT
- 66435-01-000
- NUT-SLIP
- 66436-01-000
- WASHER
- 69735-01-000
- TAILPIECE
- 11069-06-000

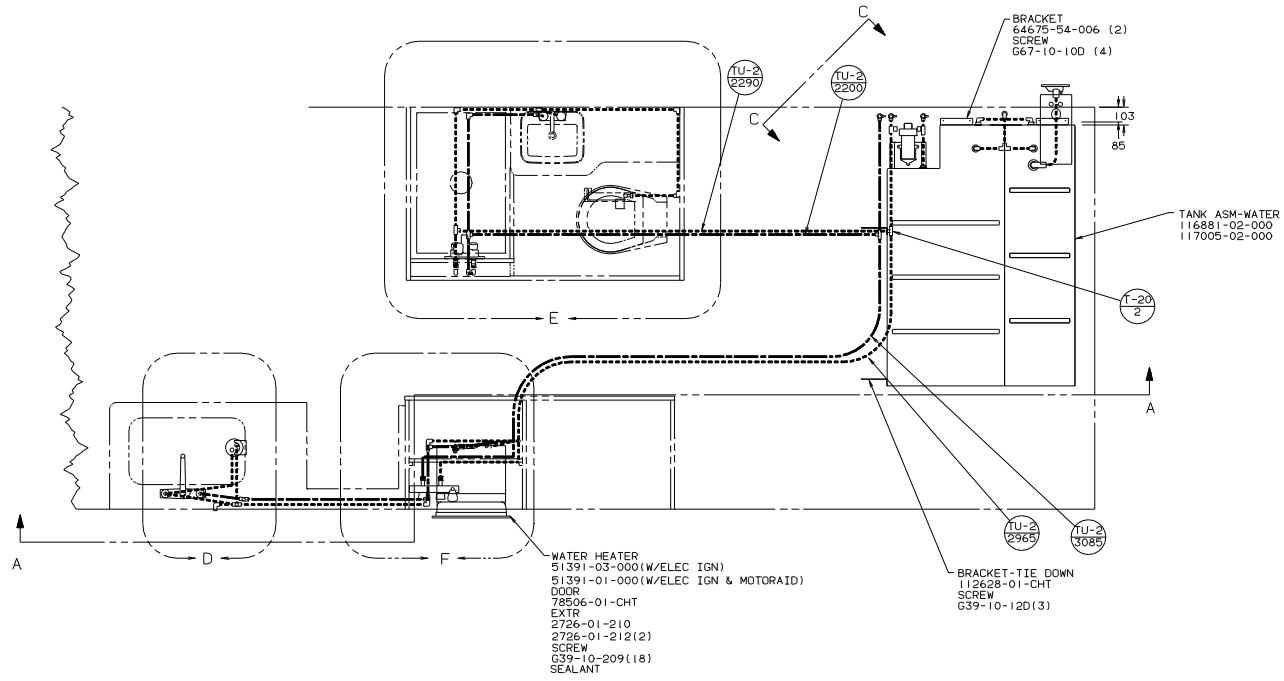
- SINK-SST,DOUBLE
- 110654-01-CHT(US/CAN)
- STRAINER
- 92303-01-000(2)
- SEAL
- 69640-01-000
- RETAINER
- 105497-01-000(2)
- 105497-02-000(4)
- SCREW
- G67-06-10U(22)

FRONT AXLE

- 1. TRIM P-TRAP EXTENSION TO FIT.
- 2. SECURE VENT TUBES TO FLOOR WITH BRACKET 95061-01-000(2), CLAMP 62401-02-000, PLATE COVER 94346-03-000, SCREW G67-10-(2B)(2), AND STAPLE 5403-03-000.
- 3. VENT PIPE MUST PROJECT 51 MM MIN AND 63.5 MM MAX ABOVE ROOF FOR PROPER FIT AND FUNCTION.
- 4. SEE DWG 61607-01-000 FOR INSTL OF GROMMETS.
- 5. SEAL ALL AROUND SHOWER WITH SILICONE.
- 6. FOR CAN UNITS EACH HOLDING TANK SHALL HAVE A CSA APPROVAL STAMPED NEAR THE IAMPO APPROVAL.
- 7. EXPOSED PIPE ABOVE ROOF TO BE PAINTED 37163-01-000.
- 8. ALL EXTERIOR OPENINGS AROUND PIPE TO BE SEALED WITH 110744-01-000.
- 9. ALL PIPE AND FITTINGS TO BE ASSEMBLED WITH SOLVENT 4020-01-000.
- 10. SLOPE OF TRAP ARM MUST BE 6 PER 305.
- 11. SLOPE OF HORIZONTAL PIPING TO BE 6 PER 305 MIN.

FOR DRAINAGE CALL OUTS SEE DWG NO. 116229-01-000

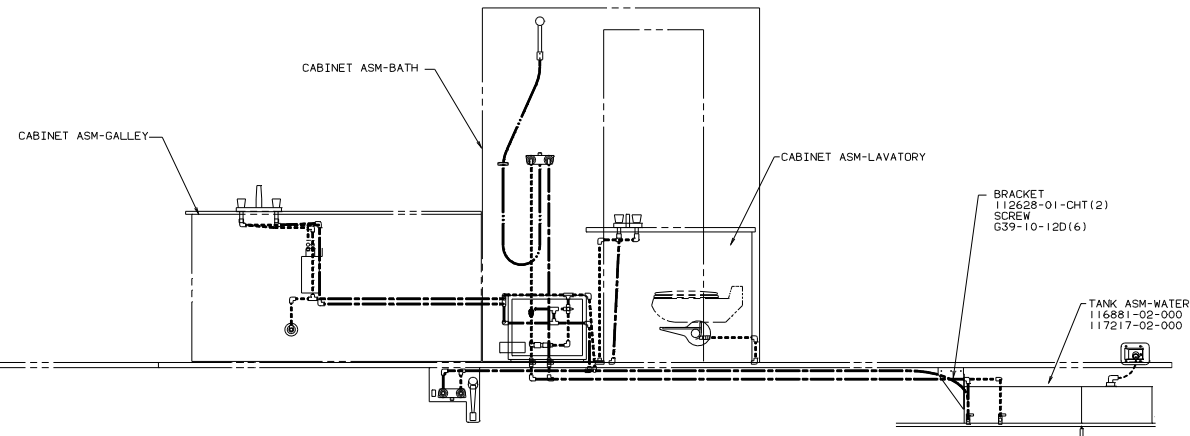
WINNERAGO 94 G32R0		
DATE	UNSPECIFIED TOLERANCES ARE	MATERIAL
CHKD	UNLESS OTHERWISE SPECIFIED	
DATE	ONE PLACE (R 8.3)	
DATE	TWO PLACE (R 8.5)	
DATE	THREE PLACE (R 8.5)	
DATE	THREE PLACE (R 8.5)	
DATE	THREE PLACE (R 8.5)	
DATE	THREE PLACE (R 8.5)	



FRONT AXLE

FRONT AXLE

VIEW A-A



- ALL TUBING TO BE SECURED AT 1200 INTERVALS MAX WITH CLAMP 10495-01-000 OR CLIP 91951-01-000 AND SCREW G67-10-12B.
- TUBING TO BE INSTALLED WITH SUFFICIENT SLOPE TO PROVIDE DRAINAGE TO NEAREST VALVE.
- PLASTIC FITTINGS TO BE SEALED WITH SEALANT 84456-01-000.

LEGEND

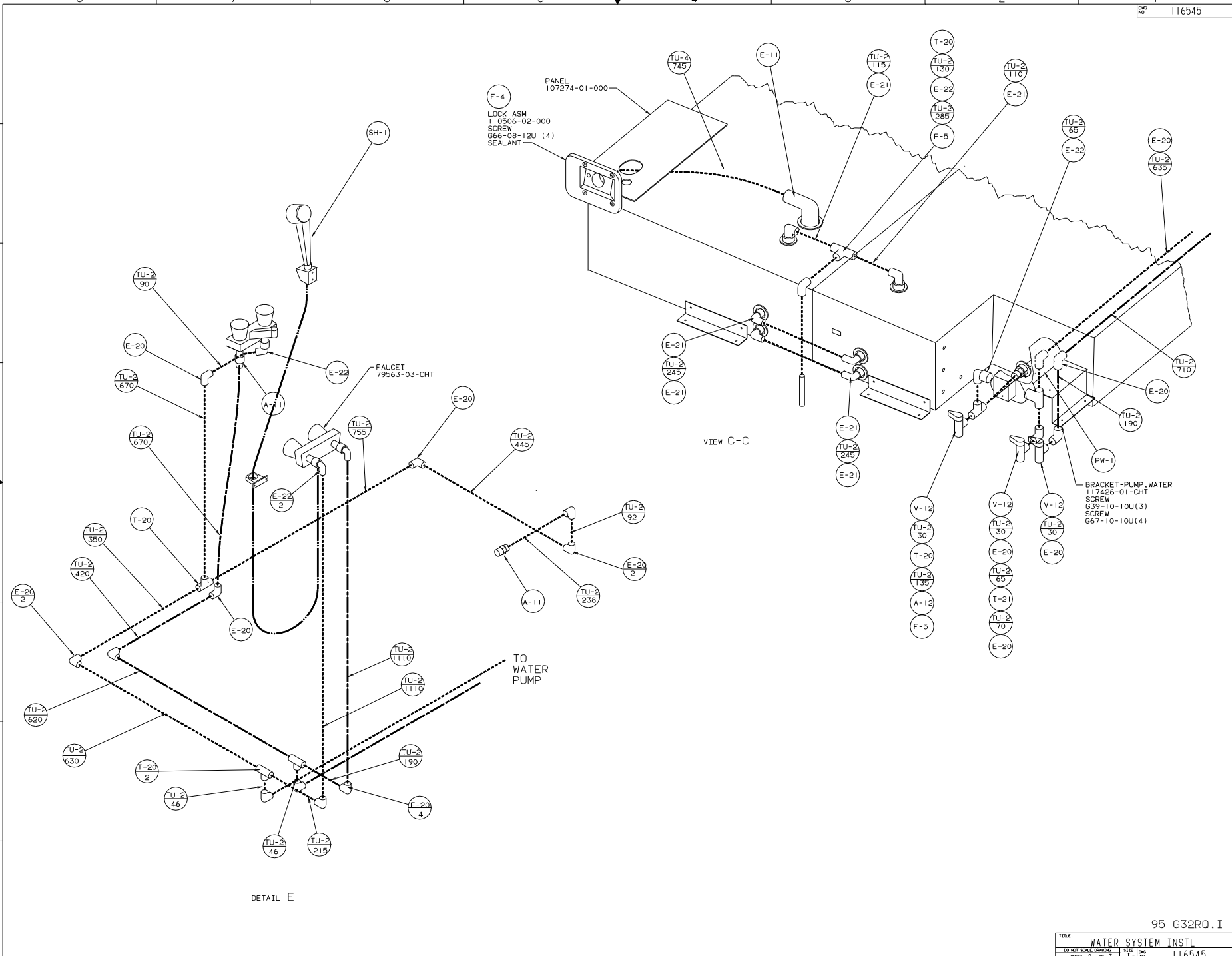
HOT	-----
COLD	-----

FOR WATER CALLOUTS SEE DWG NO. 116230-01-000

WINNEBAGO 95 G32R0.I

QTY	UNSPECIFIED TOLERANCES ARE	MATERIAL
CHDR	WHOLE DIMS 1/16"	
F/F	ONE-PLACE 1/8 3/16"	
F/F	TWO-PLACE 1/8 3/16"	
F/F	ANGLE	
CDR	TRUSS ANGLE	
	PROJECTION	

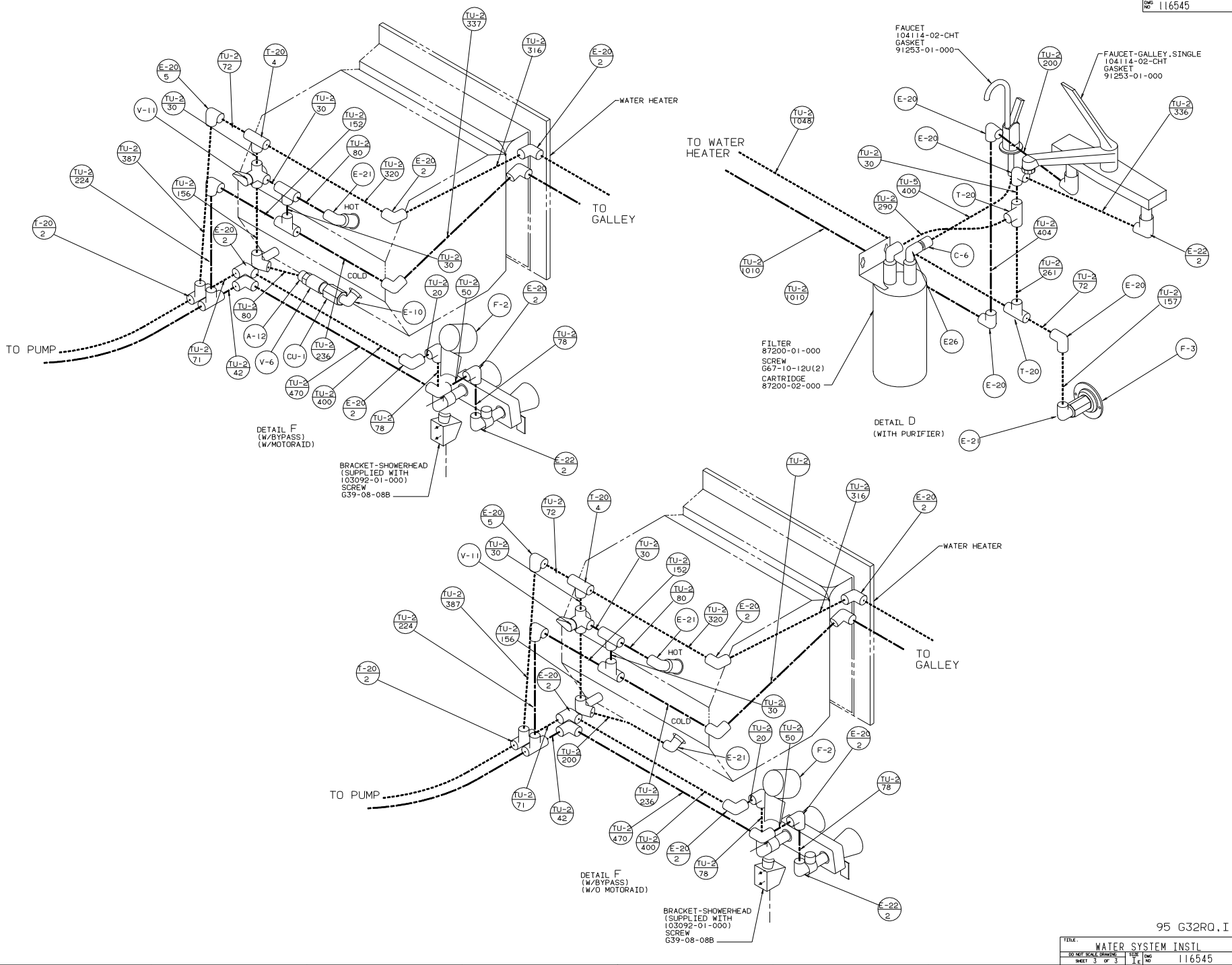
LARBIT G32R05 TITLE: WATER SYSTEM INSTL
 100 NET SCALE DRAWING SHEET 1 OF 3
 REF: 115920 116545



VIEW C-C

DETAIL E

TITLE		WATER SYSTEM INSTL	
30 NET SCALE DRAWING	1	1	1
SHEET 2 OF 3	1	1	1
		116545	



TITLE		WATER SYSTEM INSTL	
30	NET SCALE DRAWING	1/8"	1/8"
3	OF 3	1	1
		REV	DATE
		1	116545