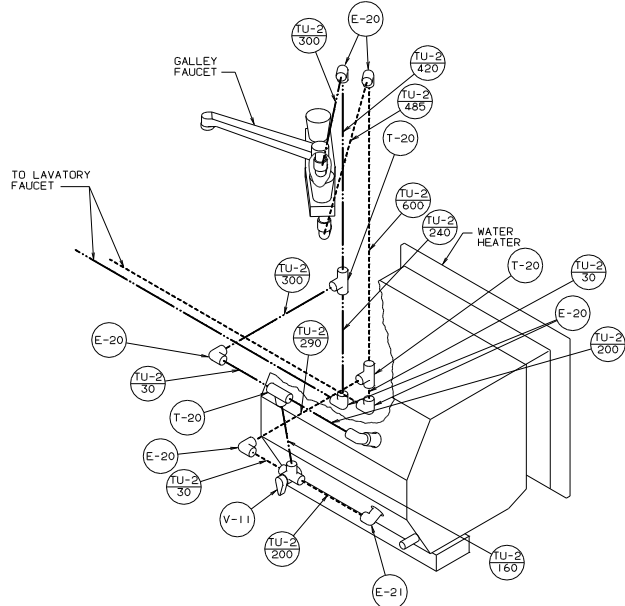
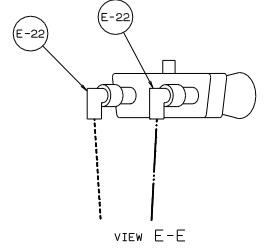


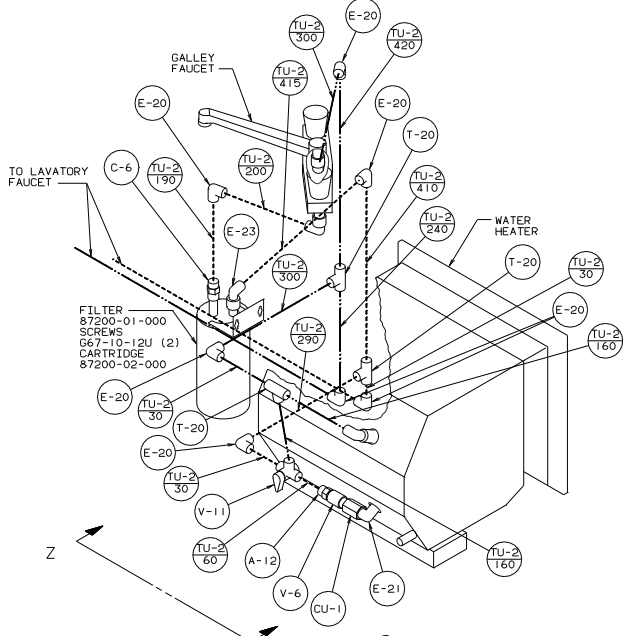
VIEW A-A
WITH FILTER AND
WITHOUT MOTOR AID



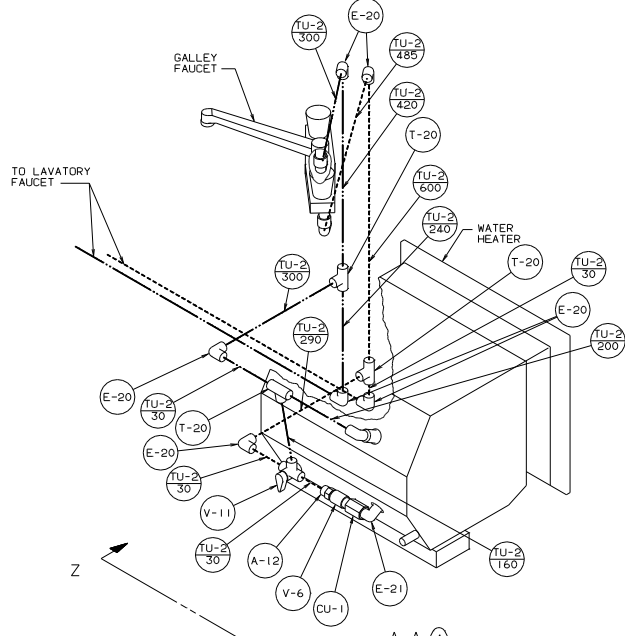
VIEW A-A
WITHOUT FILTER AND
WITHOUT MOTOR AID



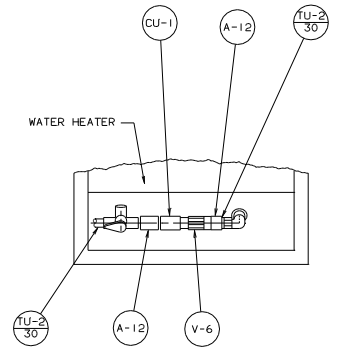
VIEW E-E



VIEW A-A
WITH MOTOR AID
AND FILTER

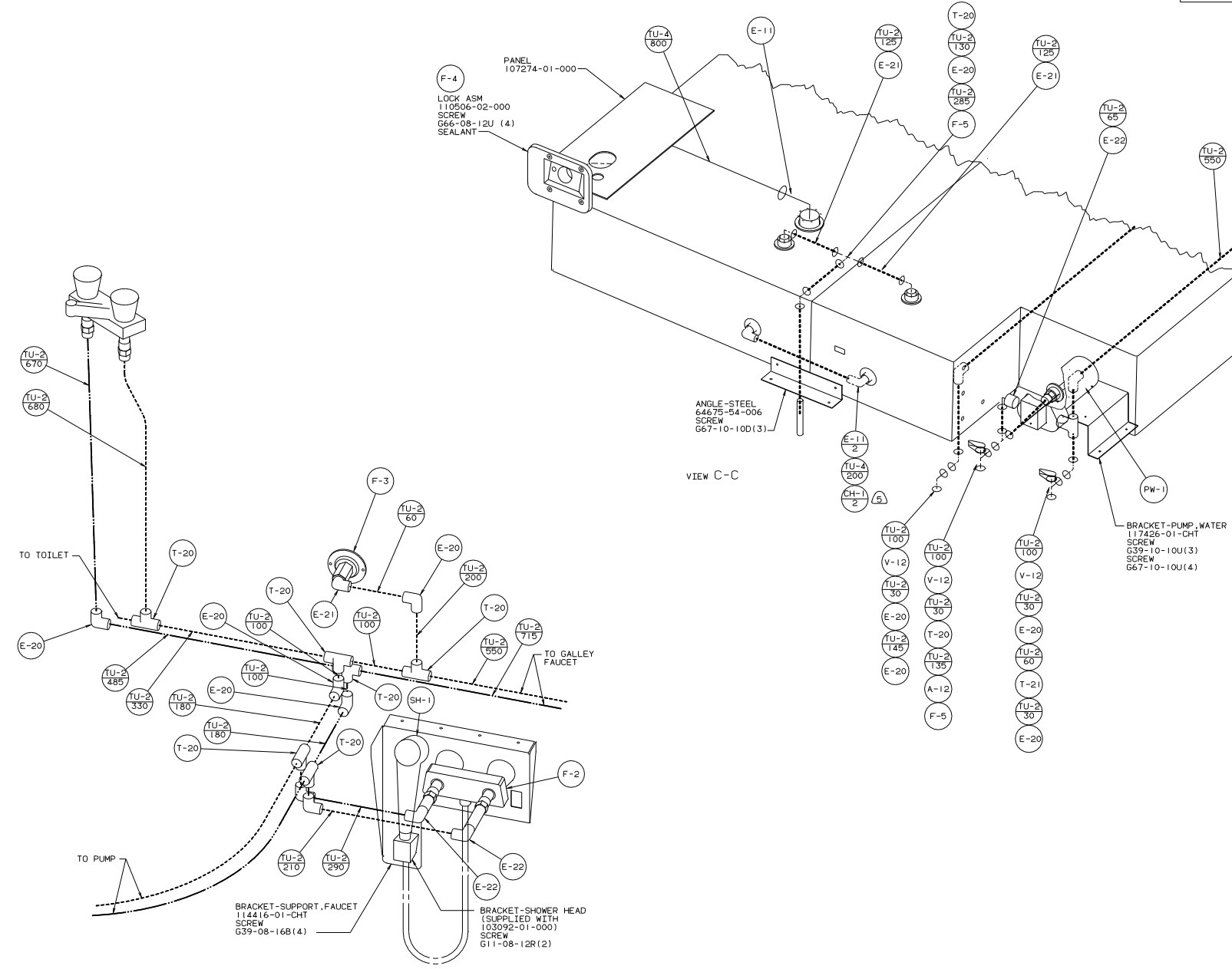


VIEW A-A
WITH MOTOR AID
WITHOUT FILTER



VIEW Z-Z
WITH MOTOR AID

TITLE		WATER SYSTEM INSTL	
30 NET SCALE DRAWING	REV	1	1
SHEET 2 OF 3	DATE		
	NO		116562



VIEW C-C

VIEW H-H