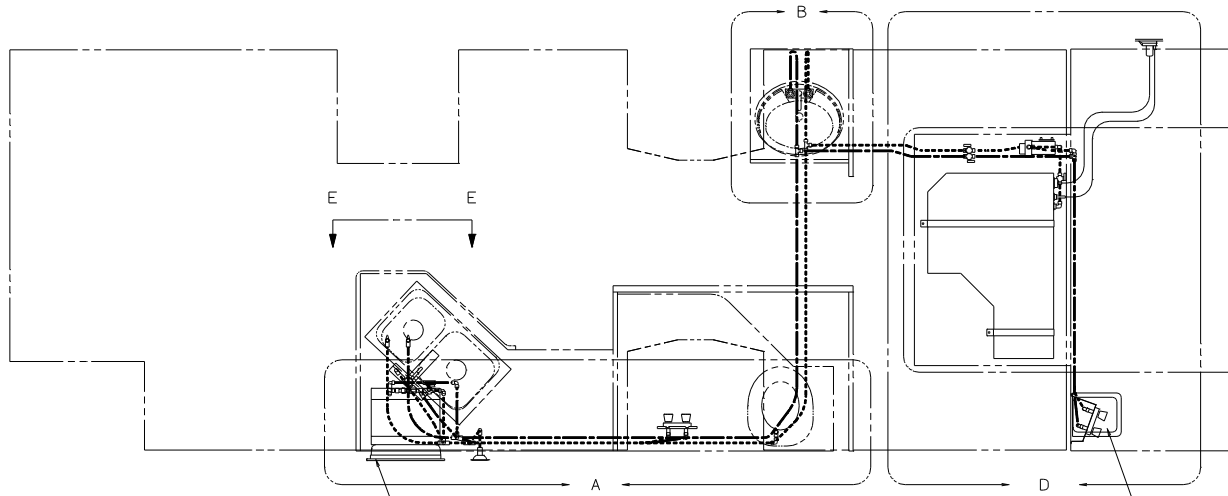


11. TRIM P-TRAP EXTENSION TO FIT.
10. SECURE VENT TUBES TO FLOOR.
9. VENT PIPE MUST PROJECT 51 MM MIN AND 63.5 MM MAX ABOVE ROOF FOR PROPER FIT AND FUNCTION.
8. SEE DWG 61607-01-000 FOR INSTL OF GROMMET.
7. SEAL ALL AROUND SHOWER WITH SILICONE 78474-01-CHT.
6. FOR CAN UNITS EACH HOLDING TANK SHALL HAVE A CSA APPROVAL STAMPED NEAR THE IAMPO APPROVAL.
5. EXPOSED PIPE ABOVE ROOF TO BE PAINTED 37163-01-000.
4. ALL EXTERIOR OPENINGS AROUND PIPE TO BE SEALED WITH 69637-01-000.
3. ALL PIPE AND FITTINGS TO BE ASSEMBLED WITH SOLVENT 4020-01-000.
2. SLOPE OF TRAP ARM MUST BE 6 PER 300.
1. SLOPE OF HORIZONTAL PIPING TO BE 6 PER 300 MIN.

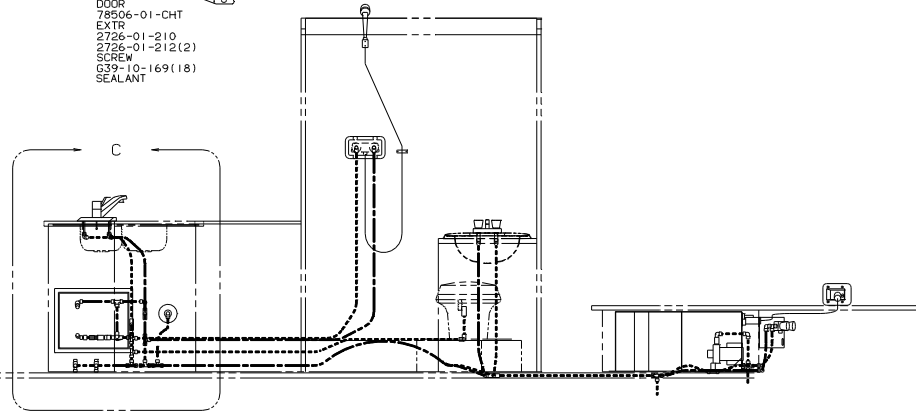
FOR DRAINAGE CALLOUTS SEE DWG NO. 116229-01-000

WINNERAGO		94 F29R0
QTR	UNSPECIFIED TOLERANCES ARE	MATERIAL
COMP	ANGLE DIM (IN)	1/8
FIN	ONE-PLACE (IN X)	1/8
FIN	TWO-PLACE (IN X)	1/8
FIN	ANGLE	1/8
FIN	DIMED ANGLE PROJECTION	
LANE#	F29R04	TITLE: DRAINAGE SYSTEM INSTL
REV		DATE
BY		DRG NO
CHK		110494
APP		
DATE		
SCALE		
NO		



- WATER-HEATER
 51391-03-000
 111129-01-000
 51391-01-000
 DOOR
 78906-01-CHT
 EXTR
 2726-01-210
 2726-01-212(2)
 SCREW
 CS9-10-169(18)
 SEALANT

PAN-DRIP, EXTERIOR
 114293-01-CHT



○
 FRONT AXLE

○
 FRONT AXLE

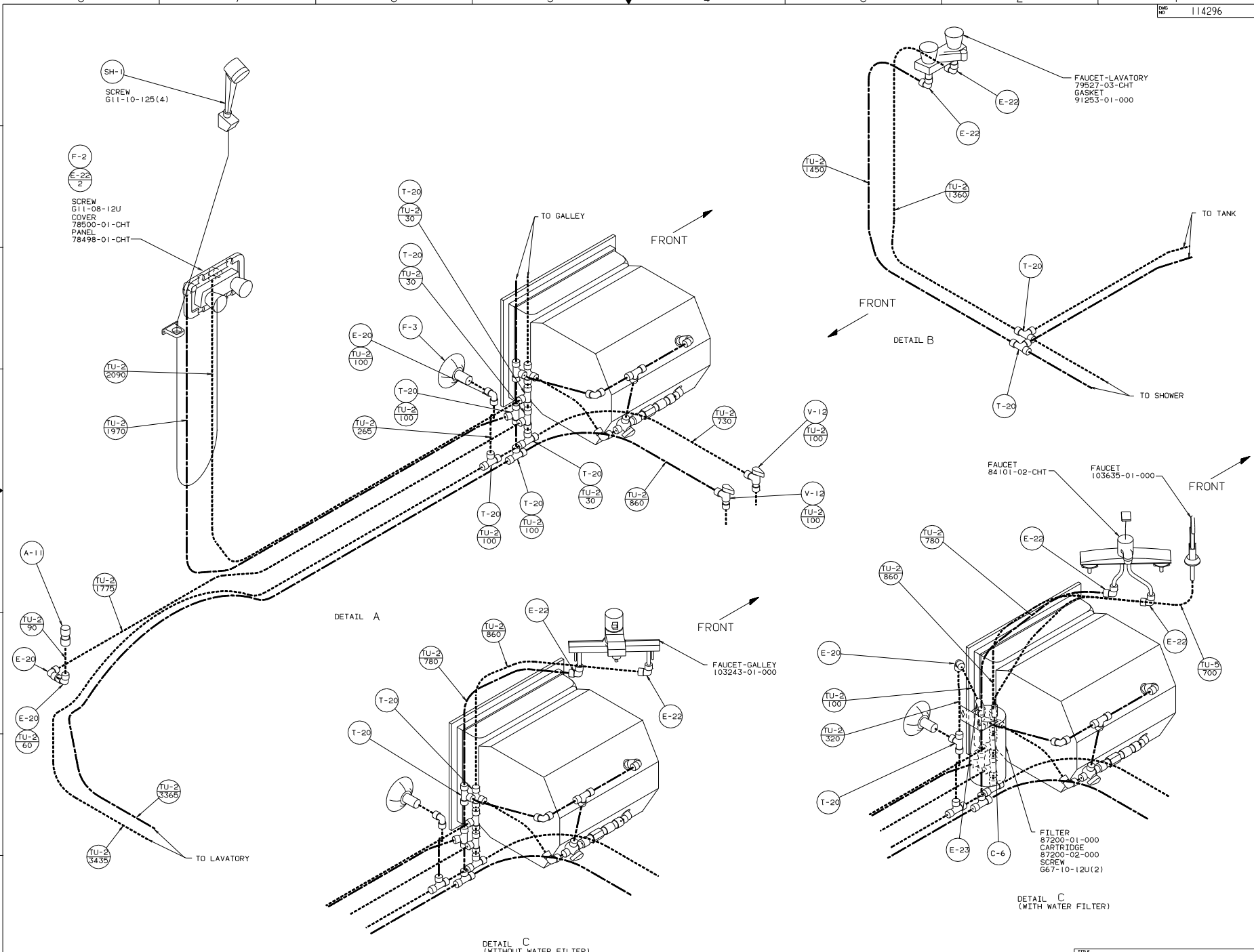
- ① USE WITH EUROPEAN EXPORT PACKAGE.
 - ② USE WITH BYPASS.
 - ③ USE WITHOUT BYPASS.
 - ④ USE WITH MOTOR AID.
 - ⑤ USE WITHOUT MOTOR AID.
 - ⑥ USE WITH EXTERIOR SHOWER.
 - ⑦ USE WITHOUT EXTERIOR SHOWER.
4. PRESSURE VALVE MUST BE BETWEEN THE WATER HEATER AND CHECK VALVE OR BYPASS KIT.
 3. ALL TUBING TO BE SECURED AT 1219 MAXIMUM SPACING WITH CLAMP 10495-01-000 AND SCREW G67-10-128.
 2. PLASTIC FITTINGS TO BE SEALED WITH SEALANT 84456-01-000.
 1. TUBING TO BE INSTALLED WITH SUFFICIENT SLOPE TO PROVIDE DRAINAGE TO NEAREST VALVE.

NOTES:

(X-X)
 FOR WATER CALLOUTS SEE DWG NO. 116230-01-000

LEGEND	
HOT	—————
COLD	-----

WINNERAGO		95 F29R0
QTY IN	UNSPECIFIED TOLERANCES ARE	MATERIAL
CHRP	SHOLE ONE (1)	1/8
F/F	ONE-PLATE (1)	31
F/E	ONE-PLATE (1)	303
F/E	ANGLE	
CDR	TRUSS ANGLE	PROTECTION
LARNT F29R04	TITLE: WATER SYSTEM INSTL	
REV #	SCALE	NOVE
ALL DIMENSIONS ARE IN MILLIMETERS	SHEET 1 OF 4	1/16
REF: 110495		114296



TITLE		DATE	
WATER SYSTEM INSTL			
30 NET SCALE DRAWING		DATE	
SHEET 2 OF 4		BY	
		CHECKED	
		NO.	114296

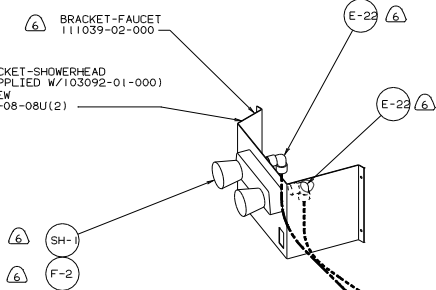
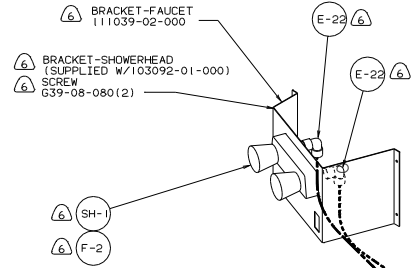
FRONT

FRONT

TANK-WATER, 50 GAL
 110622-02-000
 STRAP-RETAINING
 54168-23-000
 54168-24-000
 BOLT
 C18-05-40A(4)
 WASHER
 E13-16-00B(4)
 NUT
 D34-06-00B(4)

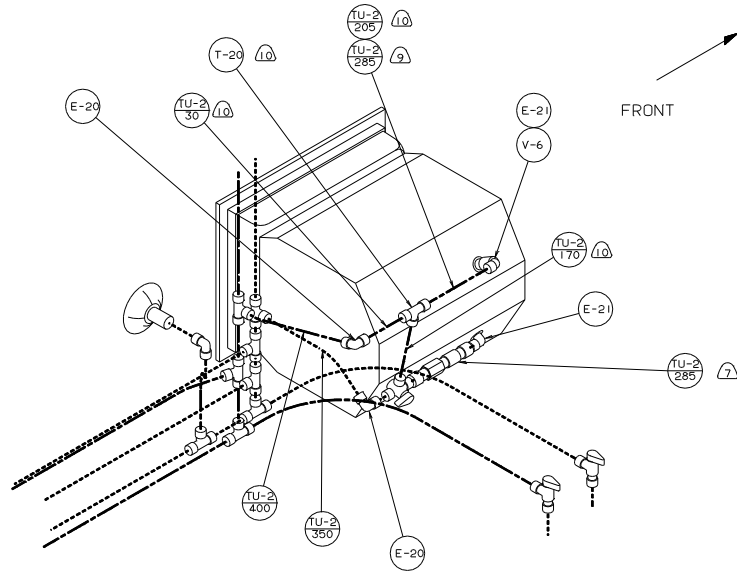
LOCK ASM
 110506-02-000
 SCREW
 G66-08-12U(4)
 SEALANT

TANK-WATER, 50 GAL
 110622-02-000
 STRAP-RETAINING
 54168-23-000
 54168-24-000
 BOLT
 C18-05-40A(4)
 WASHER
 E13-16-00B(4)
 NUT
 D34-06-00B(4)

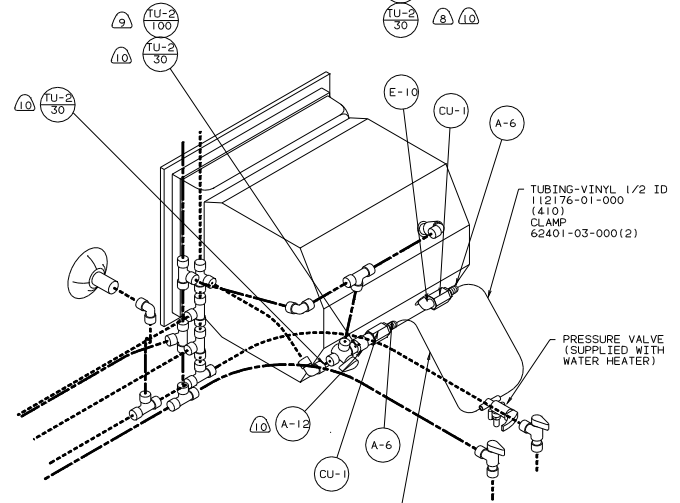


DETAIL D (TWIN BED)

TITLE		WATER SYSTEM INSTL	
30 NET SCALE DRAWING	SIZE	1/4	1/2
SHEET 3	OF 4	1	1



VIEW E-E



VIEW E-E (1)

TITLE:		WATER SYSTEM INSTL	
30 NET SCALE DRAWING	SHEET	4	4
DATE	REV	1	1
NO		114296	