

- ⑫ USE WITHOUT EXTERIOR SHOWER.
  - ⑪ NOT USED WITH EUROPEAN EXPORT WATER HEATER.
  - ⑩ PRESSURE VALVE MUST BE BETWEEN THE WATER HEATER AND CHECK VALVE OR BYPASS KIT.
  - ⑨ USE WITH EXTERIOR SHOWER.
  - ⑧ USE WITH EUROPEAN EXPORT EXCHANGE.
  - ⑦ USE WITH MOTORAID.
  - ⑥ USE WITHOUT MOTORAID.
  - ⑤ USE WITH BYPASS.
  - ④ USE WITHOUT BYPASS.
3. ALL TUBING TO BE SECURED AT 1219 SPACING MAXIMUM WITH CLAMP 10495-01-000 AND SCREW G67-10-12B.
2. PLASTIC FITTINGS TO BE SEALED WITH SEALANT 84456-01-000.
1. TUBING TO BE INSTALLED WITH SUFFICIENT SLOPE TO PROVIDE DRAINAGE TO NEAREST VALVE.

NOTES:

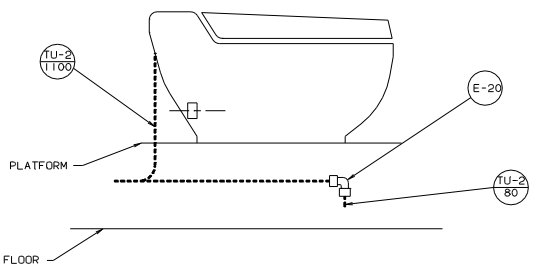
X-X FOR WATER CALLOUTS SEE DWG NO. 116230-01-000

LEGEND	
HOT	-----
COLD	-----

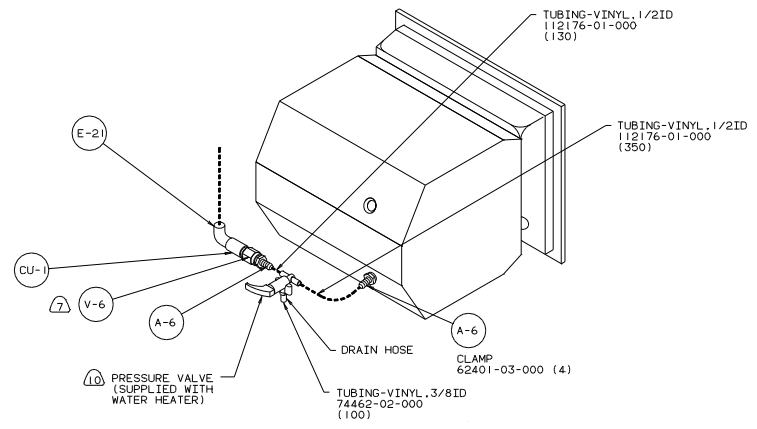


WINNACGO 95 F23RC	
QTY	UNSPECIFIED TOLERANCES ARE:
CHP	WHOLE DIMS (IN) ± .1
F/F	ONE-PLACE (IN) ± .1
F/E	TWO-PLACE (IN) ± .01
FIN	ANGLE
CON	TUBING: WHOLE PRODUCTION
LABOR NO. F23EC2	TITLE: WATER SYSTEM INSTL
REV. #	SCALE: NONE
ALL DIMENSIONS ARE IN MILLIMETERS	SHEET 1 OF 3
DATE: 11/16/65	NO. 116651

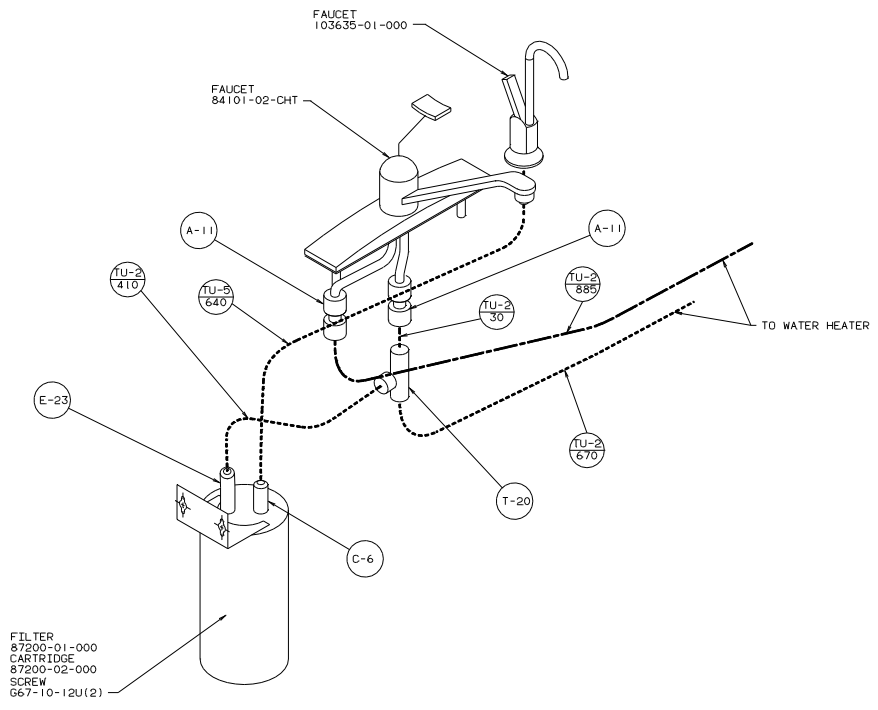




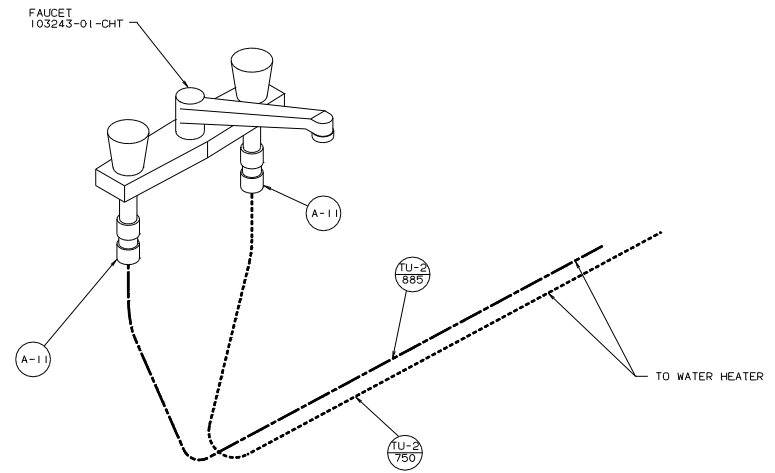
VIEW F-F



VIEW J-J



DETAIL E (WITH WATER FILTER)



DETAIL E (WITHOUT WATER FILTER)

TITLE		95 F23RC	
WATER SYSTEM INSTL			
30 NET SCALE DRAWING	3	1	116651
SHEET 3 OF 3	1	1	