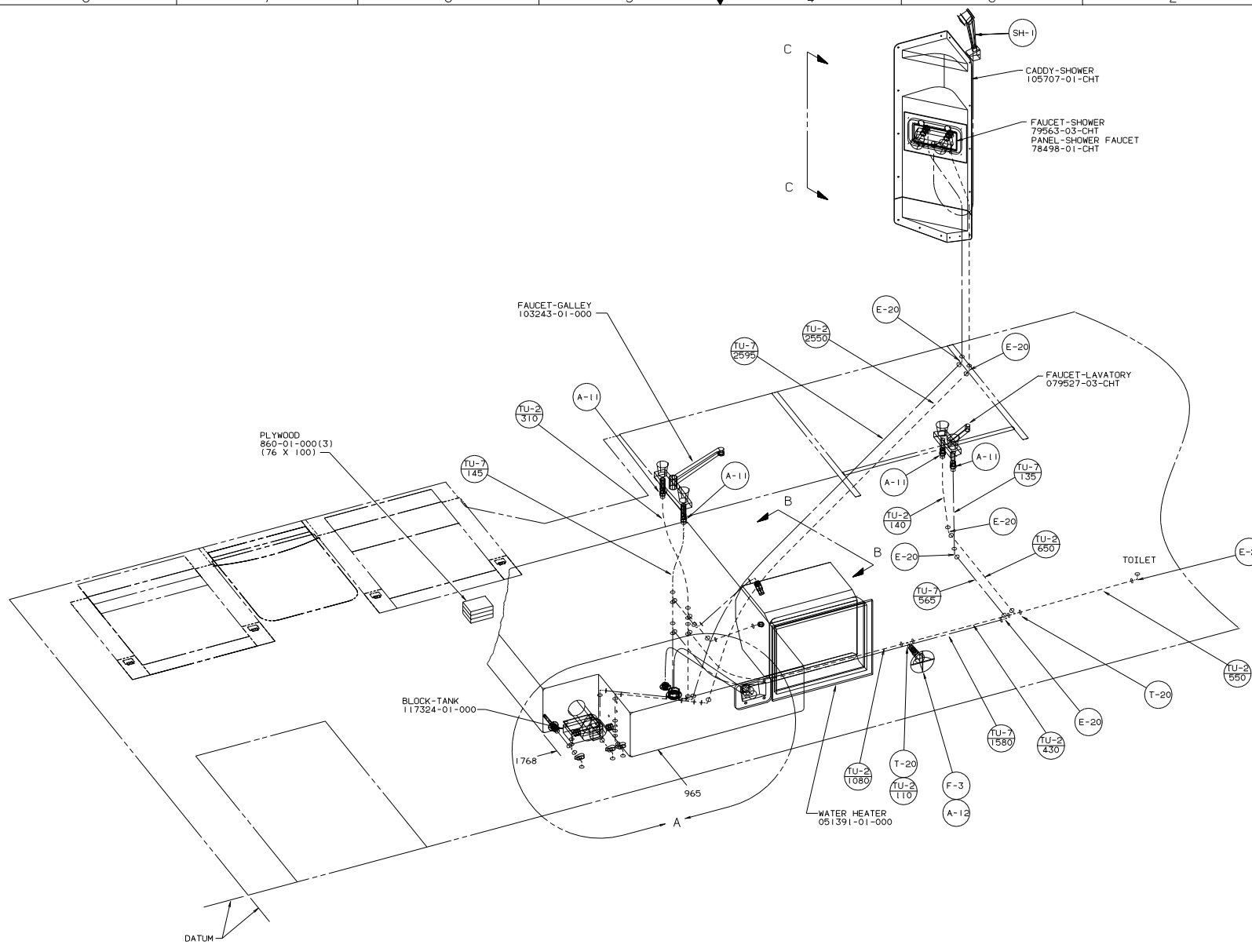


VIEW A-A

95 D28RQ

TITLE: DRAINAGE SYSTEM INSIL	
30 NET SCALE DRAWING	FILE NO: 116752
SHEET 2 OF 2	DATE: 11/11/08



- NOTES:
1. PLASTIC FITTINGS TO BE SEALED WITH SEALANT 84456-01-000.
 2. TUBING TO BE INSTALLED WITH SUFFICIENT SLOPE TO PROVIDE DRAINAGE TO NEAREST VALVE.
 3. ALL TUBING TO BE SECURED AT 1200 INTERVALS MAX WITH CLAMP 10495-01-000 OR CLIP 91951-01-000 AND SCREW G67-10-12B.

LEGEND	
HOT	—————
COLD

(X-X) FOR WATER CALLOUTS SEE DWG NO. 116230-01-000

WINNEBAGO 95 D28R0	
QTY IN	UNSPECIFIED TOLERANCES ARE MATERIAL
CHDR	WHOLE DIM 1/16" ± .015
F/F	ONE-PLACE 1/8" ± .015
F/F	TWO-PLACE 1/8" ± .015
CHDR	THIRD ANGLE PRACTICE
LAHRT NO. D28R05	TITLE: WATER SYSTEM INSTL
REV # SCALE	NO. OF SHEETS
1 1:1	2 1/2
ALL DIMENSIONS ARE IN MILLIMETERS	SHEET 1 OF 2

