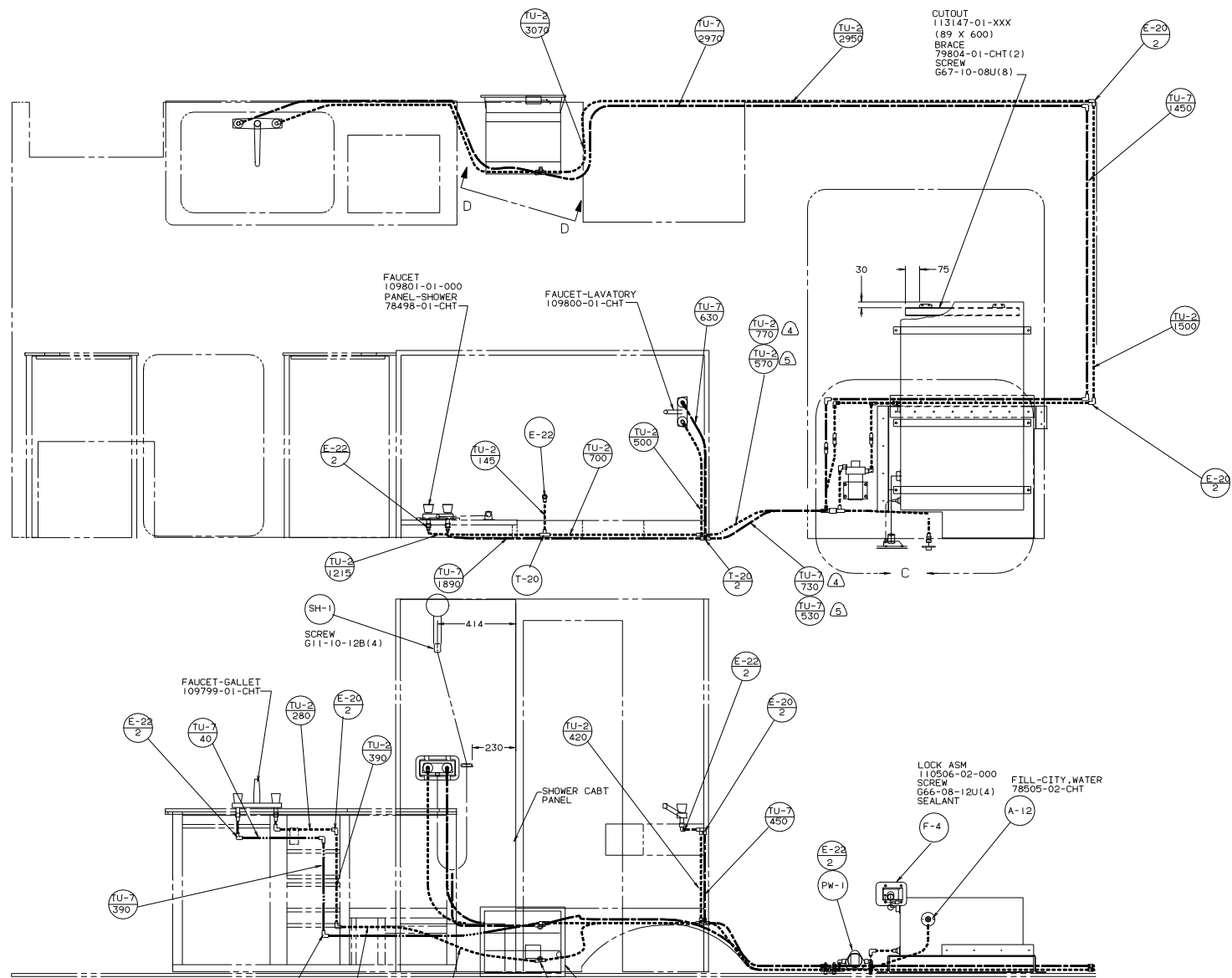


8. ALL PIPE TO BE SUPPORTED AT 1200 INTERVALS MAXIMUM.
7. SEE DWG 61607-01-000 FOR INSTL OF GROMMETS.
6. SEAL ALL AROUND SHOWER PAN.
5. VENT PIPE MUST PROJECT 51 MM MIN TO 64 MM MAX ABOVE ROOF FOR PROPER FIT AND FUNCTION.
4. ALL EXTERIOR OPENINGS AROUND PIPE TO BE SEALED.
3. ALL PIPE AND FITTINGS TO BE ASSEMBLED WITH SOLVENT 4020-01-000.
2. SLOPE OF TRAP MUST BE 6 PER 300 MINIMUM.
1. SLOPE OF HORIZONTAL PIPING TO BE 6 PER 300 MINIMUM.

LAWIT D25RU3		TITLE: DRAINAGE SYSTEM INSTL	93 D25RU
DATE: 11 01 30	SCALE: AS SHOWN	NO. SHEETS: 11	SHEET: 11
UNSPECIFIED TOLERANCES ARE:		MATERIAL:	
CHAMF	1:4	ONE-PLATE (R. 31)	
DR	1:4	ANGLE	
FILE	1:4	PROJECTION	
DR	1:4	PROJECTION	
DR	1:4	PROJECTION	
DR	1:4	PROJECTION	
DR	1:4	PROJECTION	
DR	1:4	PROJECTION	
DR	1:4	PROJECTION	



- Ⓐ USE WITH MOTOR AID.
 - Ⓙ CHECK VALVE MUST BE BETWEEN THE WATER HEATER AND CHECK VALVE OR BYPASS KIT.
 - Ⓛ USE WITH EUROPEAN PACKAGE.
 - Ⓜ USE WITH TWIN BED.
 - Ⓨ USE WITH QUEEN BED.
3. ALL TUBING TO BE SECURED AT 1200 INTERVALS MAX WITH CLAMP 10495-01-000 OR CLIP 91951-01-000 AND SCREW G67-10-12B.
2. TUBING TO BE INSTALLED WITH SUFFICIENT SLOPE TO PROVIDE DRAINAGE TO NEAREST VALVE.
1. PLASTIC FITTINGS TO BE SEALED WITH SEALANT 84456-01-000.

LEGEND	
HOT	—————
COLD	-----

WINNERAGO 95 D25RU

QTY IN	UNSPECIFIED TOLERANCES ARE	MATERIAL
CHRP	WHOLE OR 1/16"	
F/F	ONE-PLACE 1/8, 3/16"	
F/E	TWO-PLACE 1/8, 3/16"	
F/E	ANGLE	
CONR	TRUSS ANGLE	
	PROJECTION	

LABOR NO. _____ TITLE: **WATER SYSTEM INSTL**

REV # SCALE NOTE: 30 NET SCALE DRAWING

ALL DIMENSIONS ARE IN MILLIMETERS

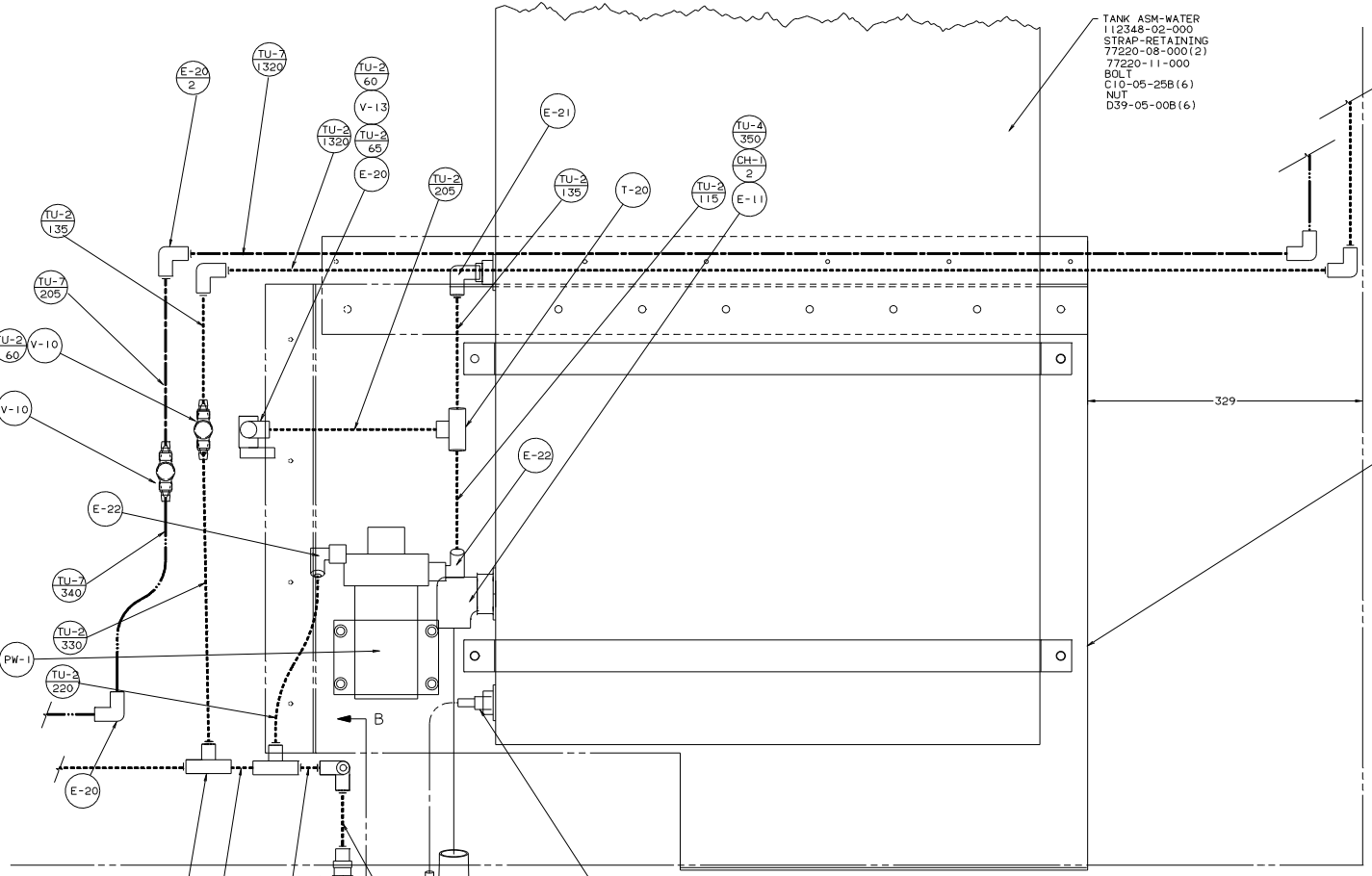
SHEET 1 OF 3

REF: 112311

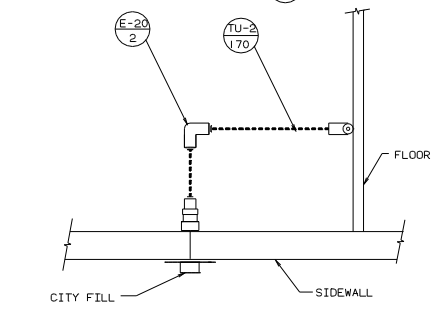
115210

TANK ASM-WATER
112348-02-000
STRAP-RETAINING
77220-08-000(2)
77220-11-000
BOLT
C10-05-25B(6)
NUT
D39-05-00B(6)

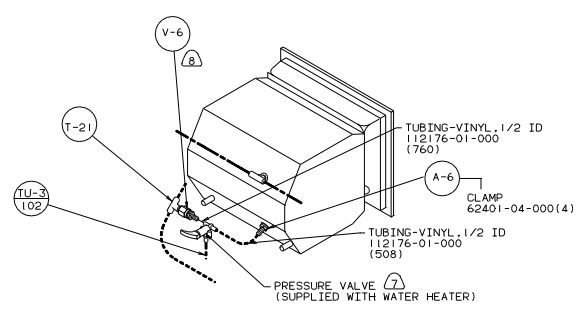
BRACKET-PLATFORM
11636-02-000
SCREW
G39-08-24U(16)



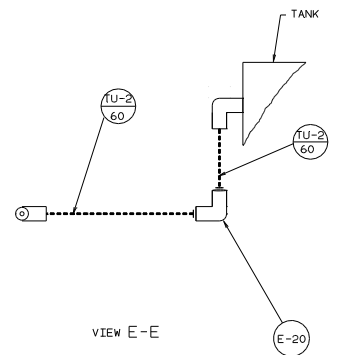
DETAIL C



VIEW B-B



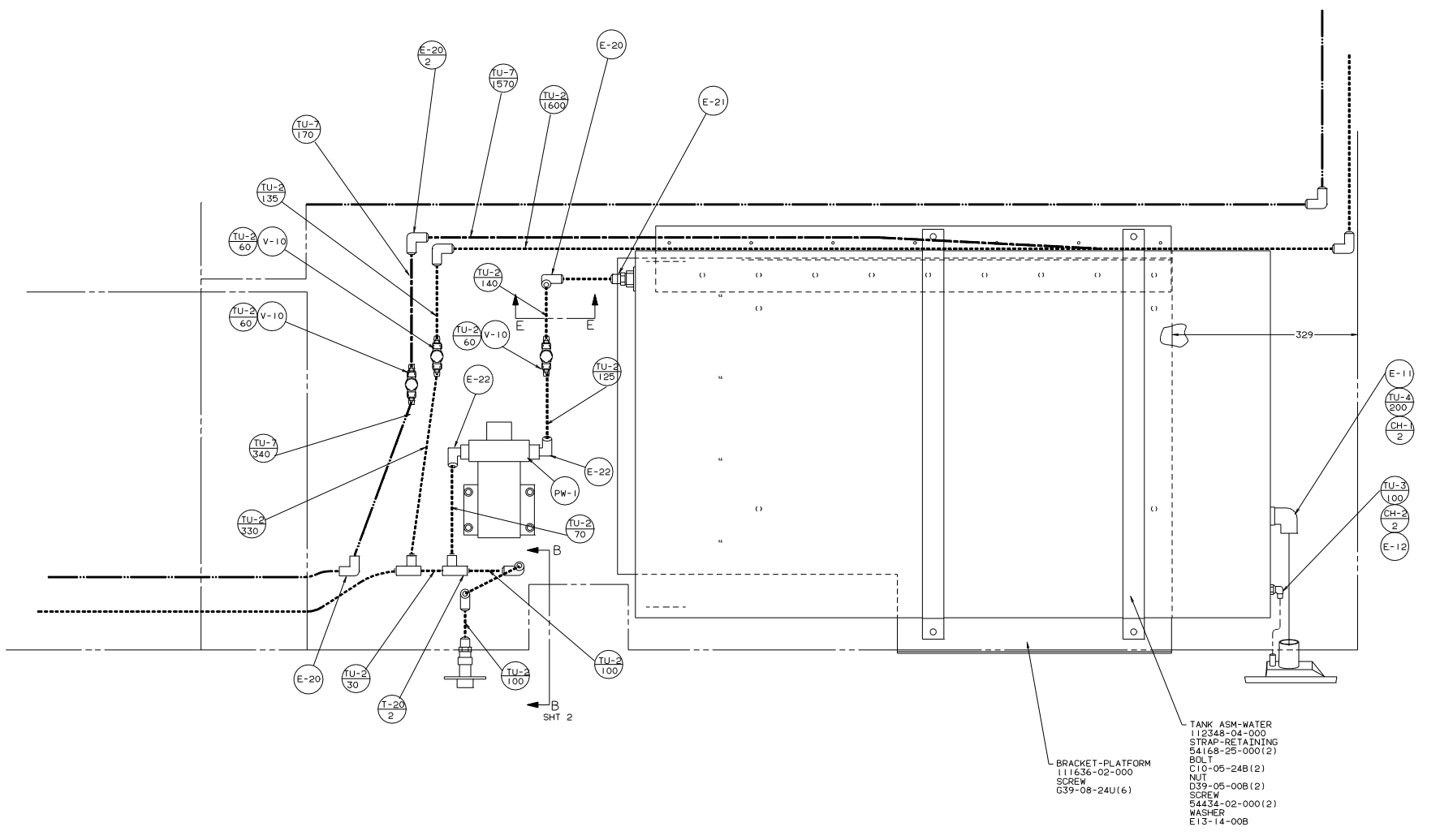
VIEW D-D



VIEW E-E

QUEEN BED EXCHANGE

TITLE		115210	
WATER SYSTEM INSTL		115210	
30 NET SCALE DRAWING	SHEET	2	3
DATE	REV		



BRACKET-PLATFORM
 111636-02-000
 SCREW
 G39-08-24U(6)

TANK ASH-WATER
 112348-04-000
 STRAP-RETAINING
 54168-25-000(2)
 BOLT
 C10-05-24B(2)
 NUT
 D39-05-00B(2)
 SCREW
 54434-02-000(2)
 WASHER
 E13-14-00B

DETAIL C

TWIN BED EXCHANGE

TITLE: WATER SYSTEM INSTL		DATE: 11/11/08
30 NET SCALE DRAWING	SHEET 3 OF 3	REV 1