

- ② NOT USED ON CANADIAN UNIT.
- 8. ALL PIPE TO BE SUPPORTED AT 1200 INTERVALS MAXIMUM.
- 7. SEE DWG 61607-01-000 FOR INSTL OF GROMMETS.
- ③ SEAL ALL AROUND SHOWER PAN.
- ④ VENT PIPE MUST PROJECT 51 MM MIN TO 64 MM MAX ABOVE ROOF FOR PROPER FIT AND FUNCTION.
- 4. ALL EXTERIOR OPENINGS AROUND PIPE TO BE SEALED.
- 3. ALL PIPE AND FITTINGS TO BE ASSEMBLED WITH SOLVENT 4020-01-000.
- 2. SLOPE OF TRAP MUST BE 6 PER 300 MINIMUM.
- 1. SLOPE OF HORIZONTAL PIPING TO BE 6 PER 300 MINIMUM.

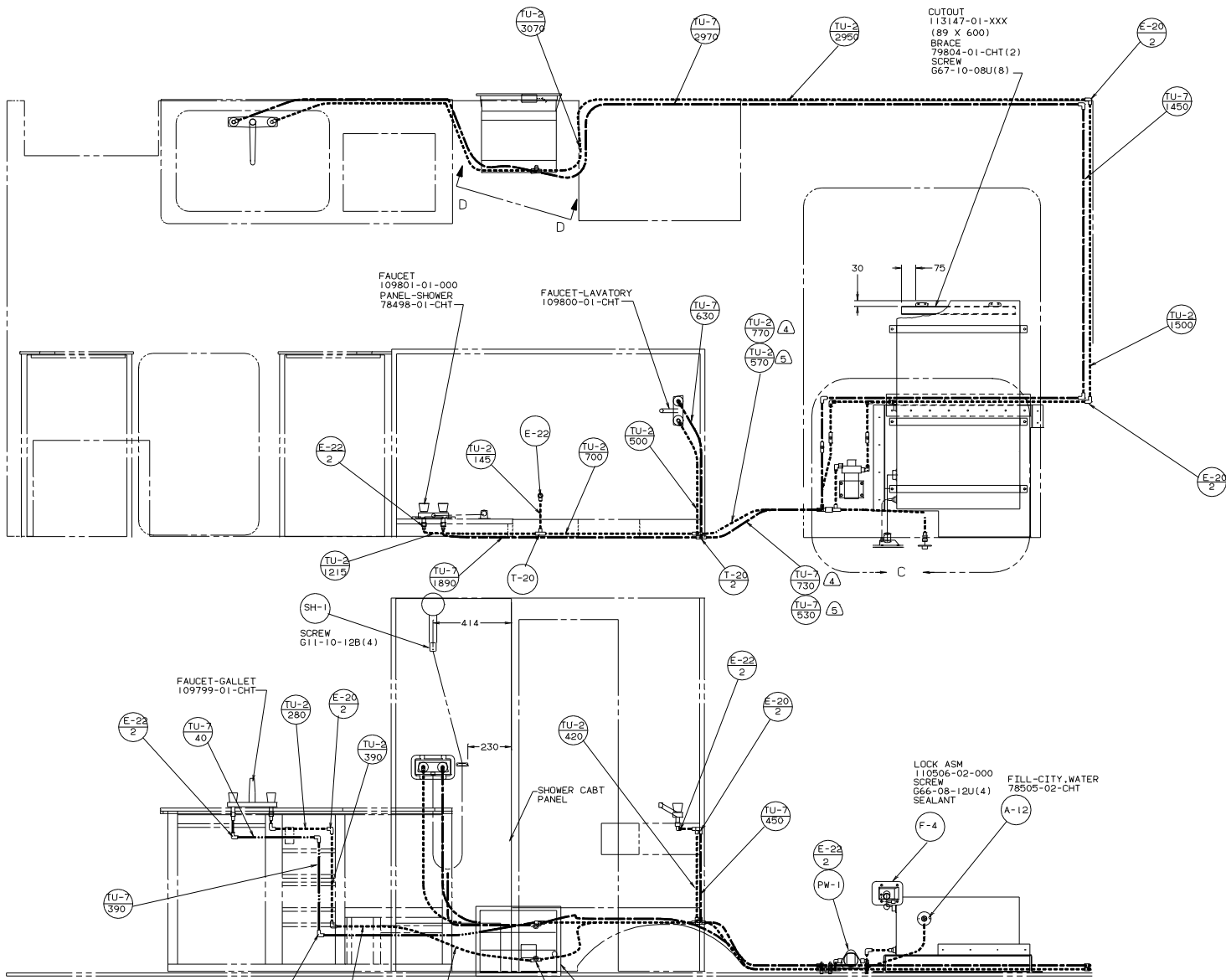
(X-X) FOR DRAINAGE CALLOUTS SEE DWG NO. 116229-01-000

WINNERAGO 95 D25RU

DATE	REVISED TOLERANCES ARE:	MATERIAL:
CHG	WHOLE DIM (IN) ± 0.15	
P/E	ONE-PLACE (IN.XI) ±	
P/E	TWO-PLACE (IN.XXX) ±	
P/E	THREE-PLACE (IN.XXX) ±	
CDR	TWO-PLACE PROJECTION	

LAUNCH NO: DGEN5 TITLE: DRAINAGE SYSTEM INSTL
 DIA # SCALE: NONE 30-NEE SCALE DRAWING
 ALL DIMENSIONS ARE IN MILLIMETERS SHEET 1 OF 1

REF: 110130 117473



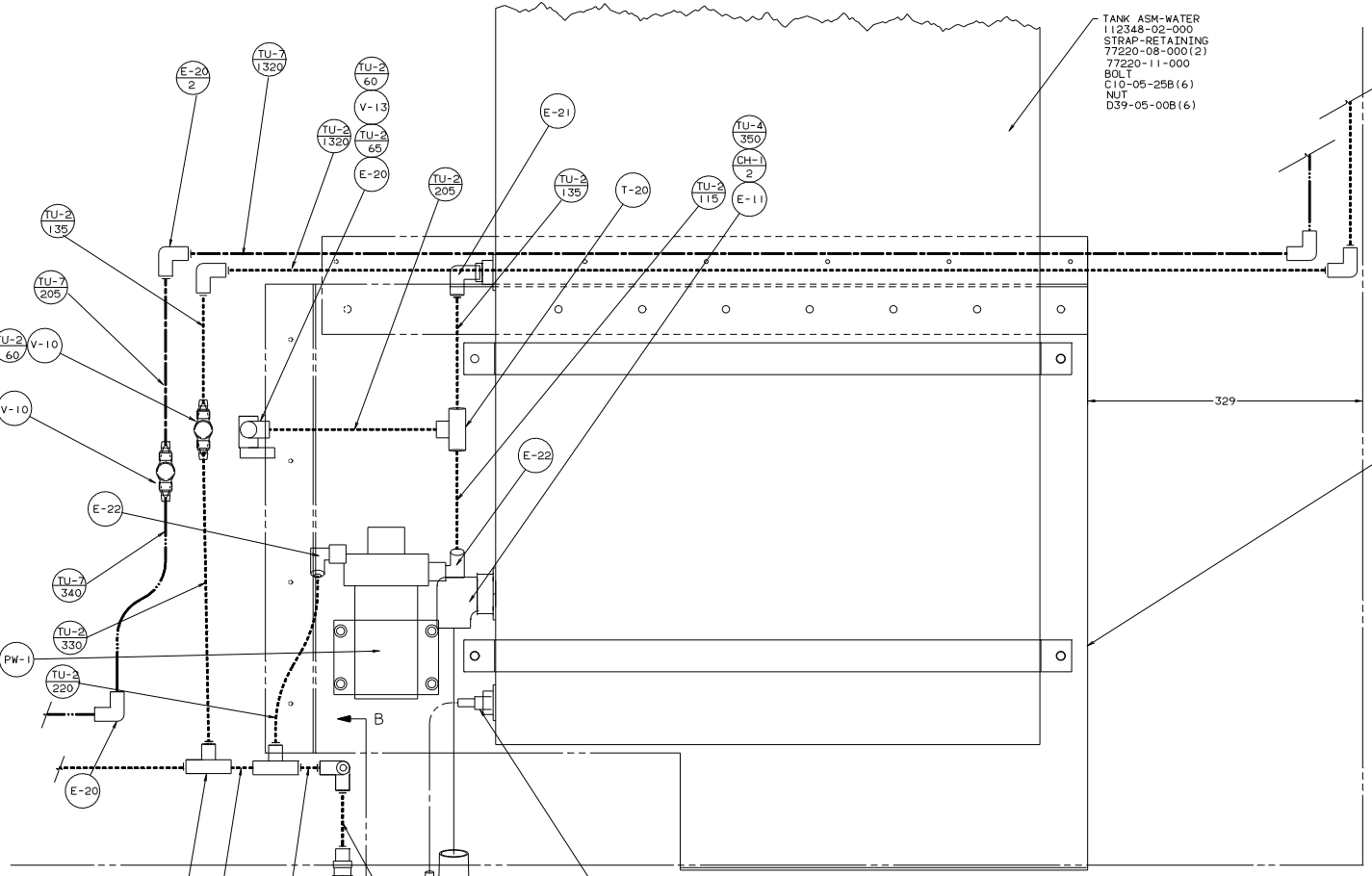
- (8) USE WITH MOTOR AID.
 - (7) CHECK VALVE MUST BE BETWEEN THE WATER HEATER AND CHECK VALVE OR BYPASS KIT.
 - (6) USE WITH EUROPEAN PACKAGE.
 - (5) USE WITH TWIN BED.
 - (4) USE WITH QUEEN BED.
3. ALL TUBING TO BE SECURED AT 1200 INTERVALS MAX WITH CLAMP 10495-01-000 OR CLIP 91951-01-000 AND SCREW G67-10-12B.
 2. TUBING TO BE INSTALLED WITH SUFFICIENT SLOPE TO PROVIDE DRAINAGE TO NEAREST VALVE.
 1. PLASTIC FITTINGS TO BE SEALED WITH SEALANT 84456-01-000.

LEGEND	
HOT	—————
COLD	—————

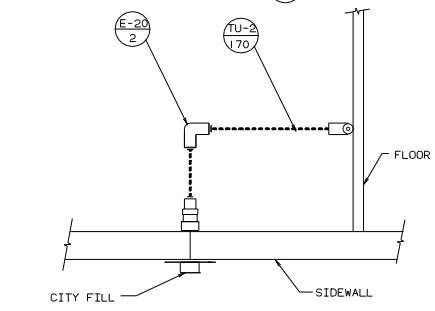
WINNIEGAGO		95 D25RU
DRY IN	UNSPECIFIED TOLERANCES ARE	MATERIAL
CHRP	WHOLE OR 1/16"	"
FIN	ONE-PLACE 1/8 X 1/16"	"
FIN	TWO-PLACE 1/8 X 1/16"	"
FIN	ANGLE	"
CONR	TUBING: ANGLE	"
CONR	PRODUCTION	"
LAYOUT NO.	TITLE:	DATE
REF: 112311	WATER SYSTEM INSTL	115210

TANK ASM-WATER
112348-02-000
STRAP-RETAINING
77220-08-000(2)
77220-11-000
BOLT
C10-05-25B(6)
NUT
D39-05-00B(6)

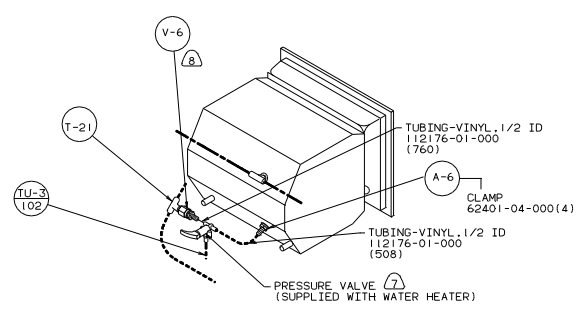
BRACKET-PLATFORM
11636-02-000
SCREW
G39-08-24J(16)



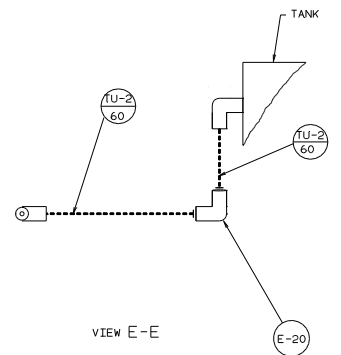
DETAIL C



VIEW B-B



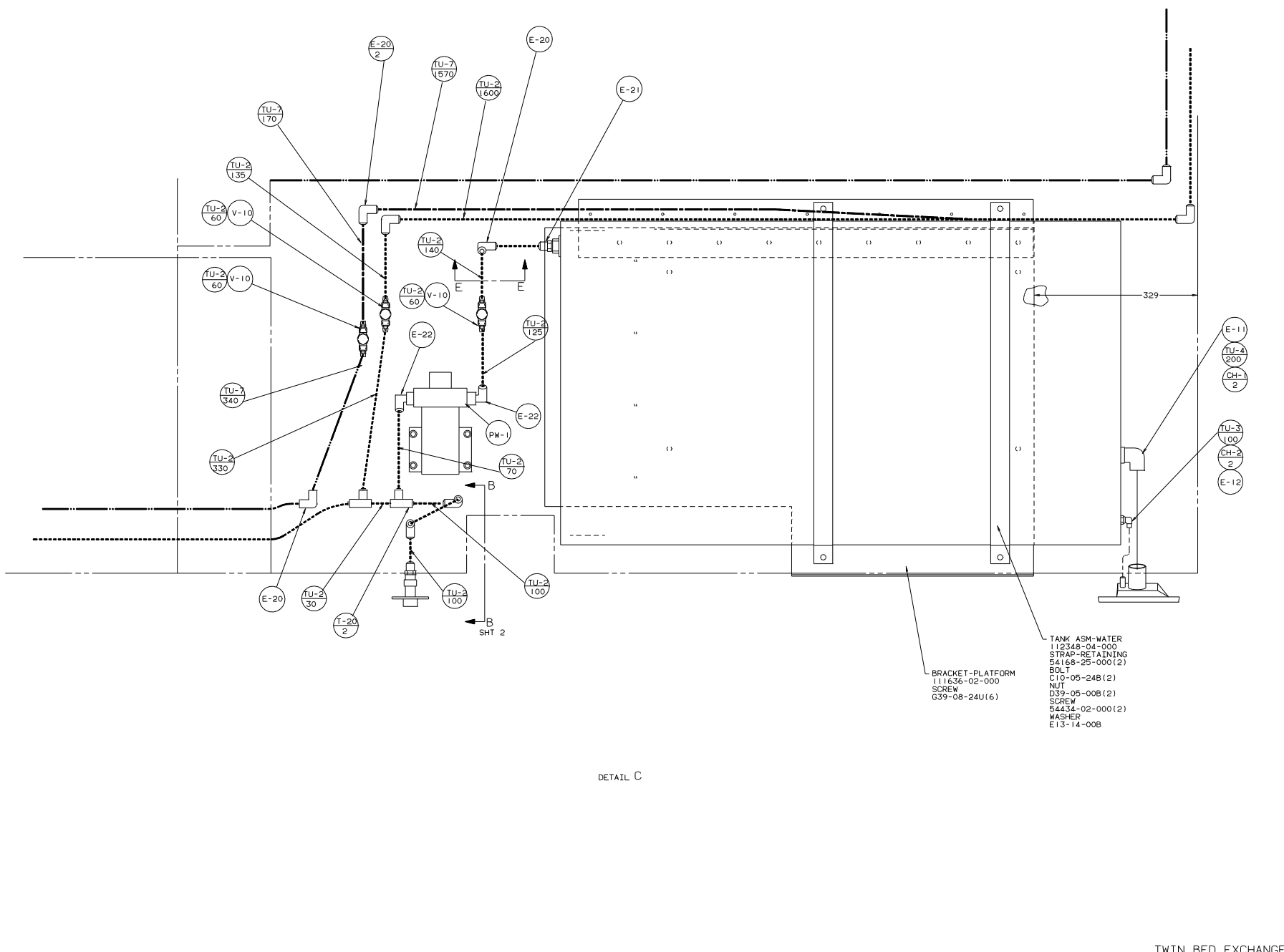
VIEW D-D



VIEW E-E

QUEEN BED EXCHANGE

TITLE		115210	
WATER SYSTEM INSTL			
30 NET SCALE DRAWING	DATE	1/1	1/1
SHEET 2 OF 3	REV		



- BRACKET-PLATFORM
11636-02-000
SCREW
G39-08-24U(6)
- TANK ASH-WATER
12348-04-000
STRAP-RETAINING
54168-25-000(2)
BOLT
C10-05-24B(2)
NUT
D39-05-00B(2)
SCREW
54434-02-000(2)
WASHER
E13-14-00B

DETAIL C

TWIN BED EXCHANGE

TITLE: WATER SYSTEM INSTL		DATE: 11/11/08
30 NET SCALE DRAWING	SHEET 3 OF 3	REV 1