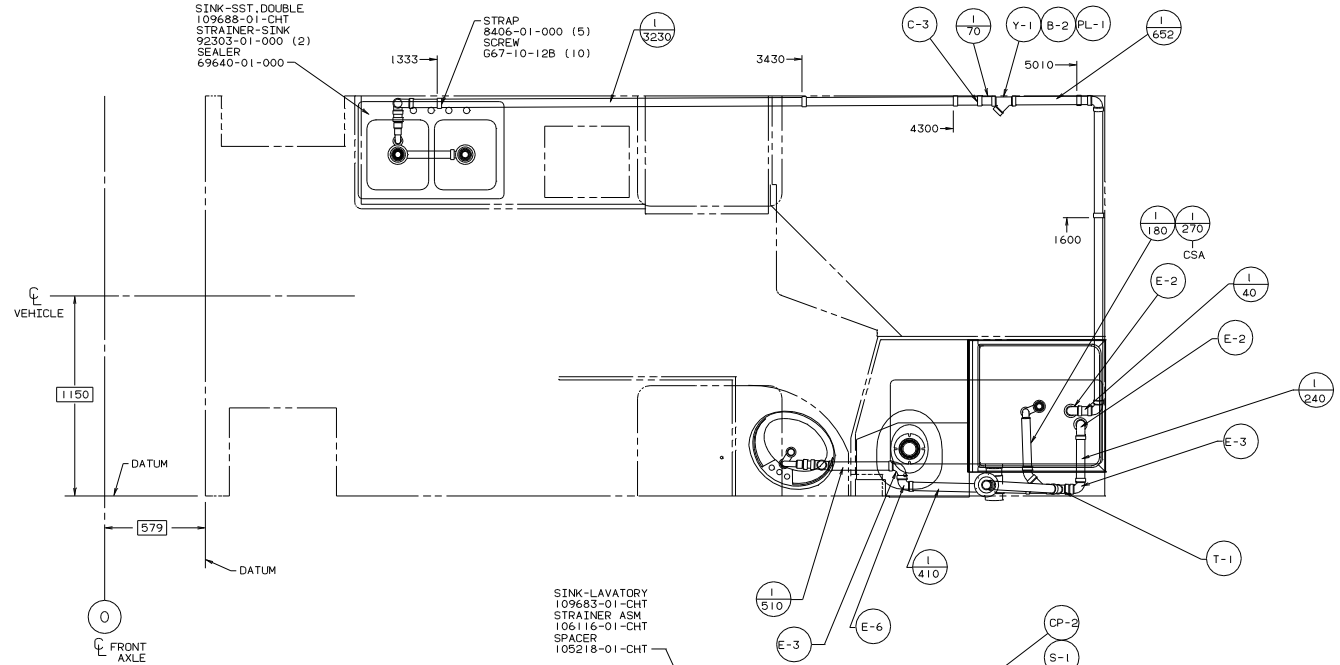


SINK-SST.DOUBLE
 109688-01-CHT
 STRAINER-SINK
 92303-01-000 (2)
 SEALER
 69640-01-000

STRAP
 8406-01-000 (5)
 SCREW
 G67-10-12B (10)

I 3230

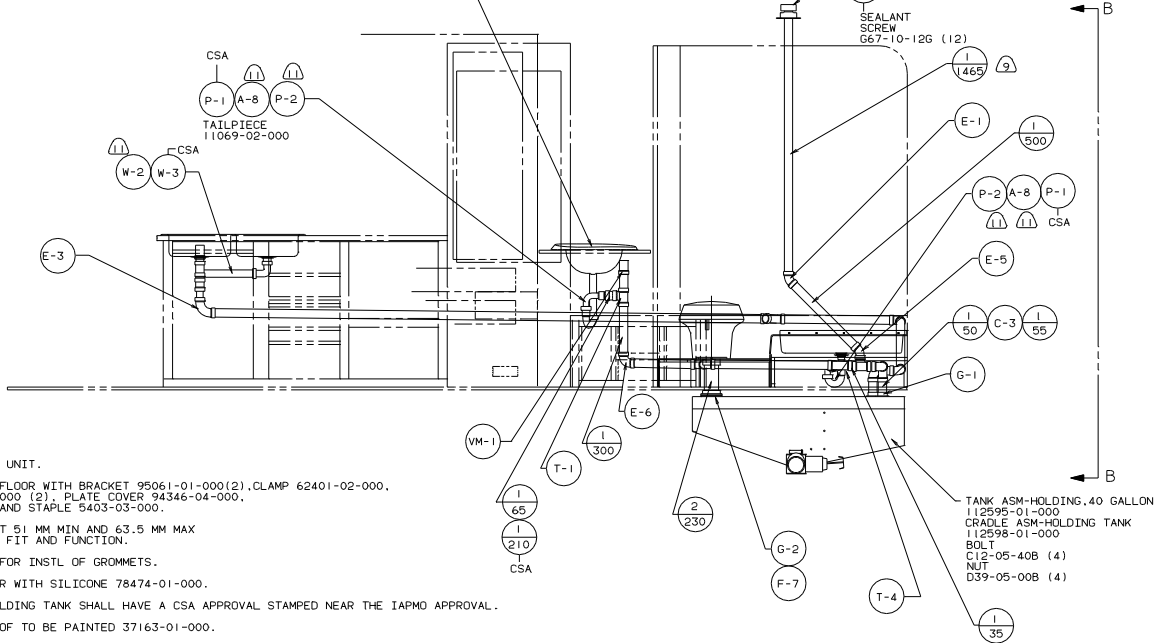
C-3 I 70 Y-1 B-2 PL-1 I 652



SINK-LAVATORY
 109683-01-CHT
 STRAINER ASM
 106116-01-CHT
 SPACER
 105218-01-CHT

CSA P-1 A-8 P-2
 TAILPIECE
 11069-02-000
 W-2 W-3

CP-2
 S-1
 SEALANT
 SCREW
 G67-10-12G (12)



TANK ASM-HOLDING, 40 GALLON
 112598-01-000
 CRADLE ASM-HOLDING TANK
 112598-01-000
 BOLT
 C12-05-40B (4)
 NUT
 D39-05-00B (4)

(1) NOT USED ON CANADIAN UNIT.

10 SECURE VENT TUBES TO FLOOR WITH BRACKET 95061-01-000(2), CLAMP 62401-02-000, PLATE COVER 94346-02-000 (2), PLATE COVER 94346-04-000, SCREW G67-10-12B(2), AND STAPLE 5403-03-000.

(9) VENT PIPE MUST PROJECT 51 MM MIN AND 63.5 MM MAX ABOVE ROOF FOR PROPER FIT AND FUNCTION.

8. SEE DWG 61607-01-000 FOR INSTL OF GROMMETS.

(2) SEAL ALL AROUND SHOWER WITH SILICONE 78474-01-000.

6. FOR CAN UNITS EACH HOLDING TANK SHALL HAVE A CSA APPROVAL STAMPED NEAR THE IAPMO APPROVAL.

5. EXPOSED PIPE ABOVE ROOF TO BE PAINTED 37163-01-000.

4. ALL EXTERIOR OPENINGS AROUND PIPE TO BE SEALED.

3. ALL PIPE AND FITTINGS TO BE ASSEMBLED WITH SOLVENT 4020-01-000.

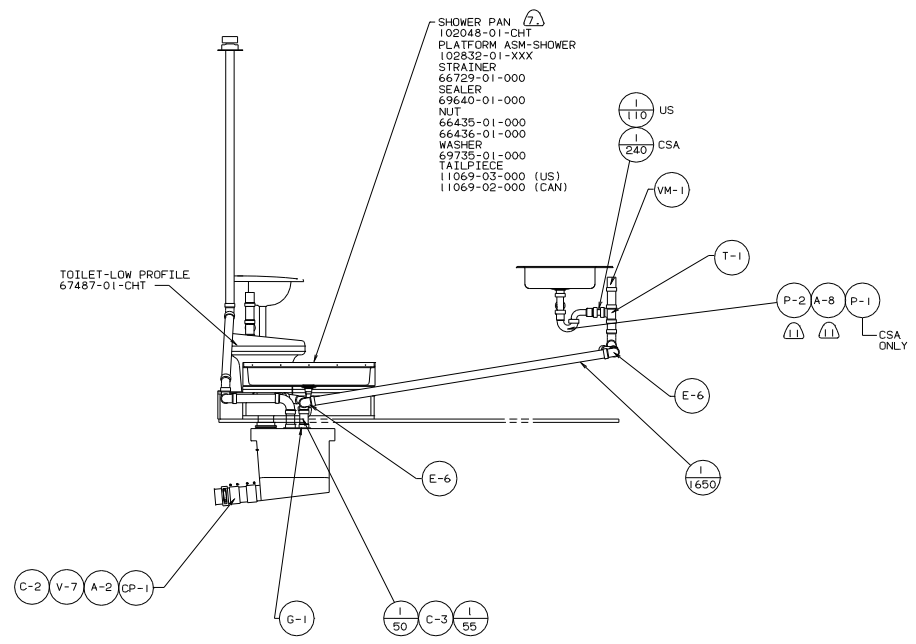
2. SLOPE OF TRAP ARM MUST BE 6 PER 305.

1. SLOPE OF HORIZONTAL PIPING TO BE 6 PER 305 MIN.

NOTES:

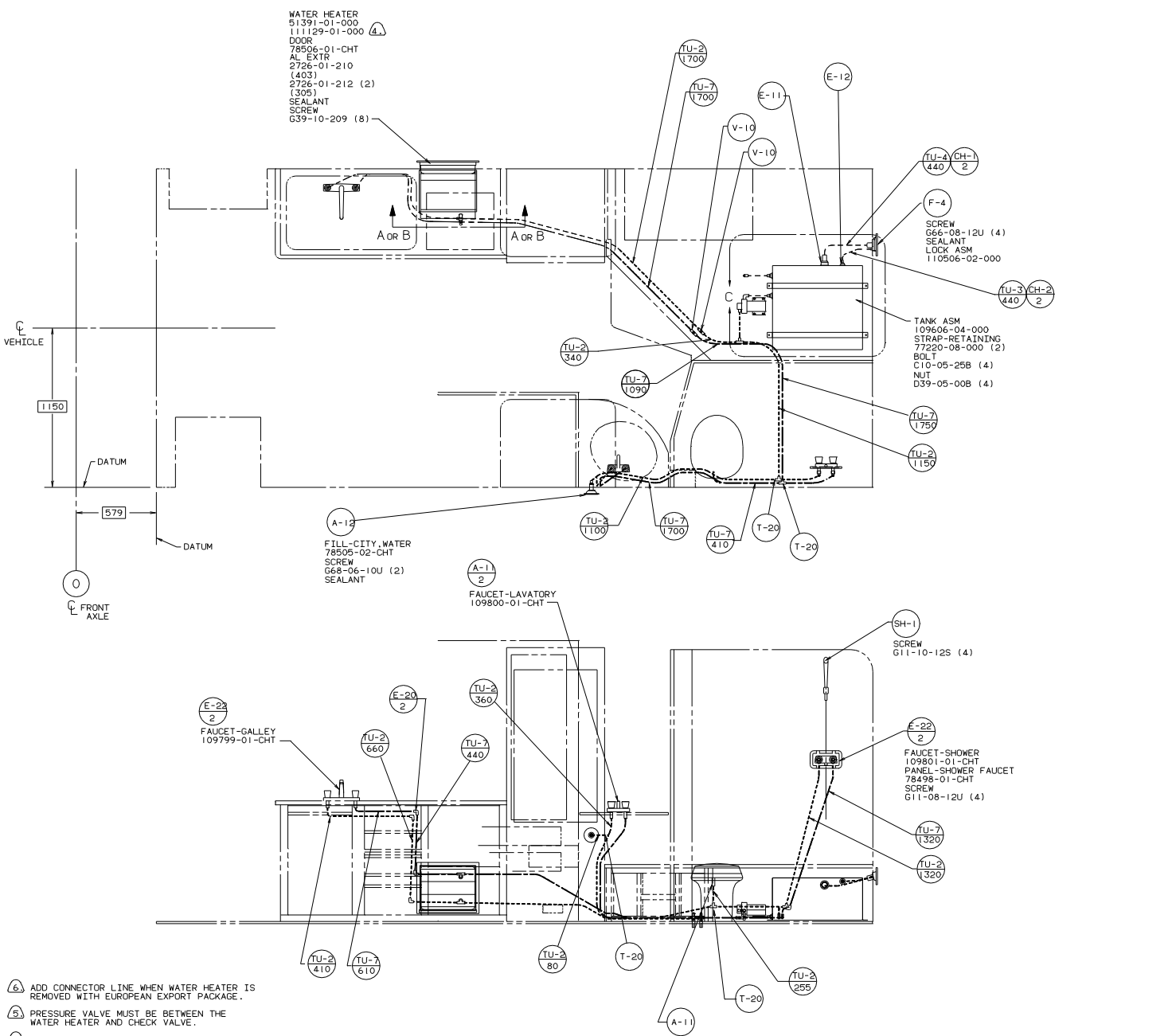
(X-X) FOR DRAINAGE CALLOUTS SEE DWG NO. 116229-01-000

WINNEGAGO		94 D23RC
DATE	UNSPECIFIED TOLERANCES ARE	MATERIAL
CHGR	UNLESS OTHERWISE SPECIFIED	
DRW	ONE-PLACE (1:1)	
REV	TWO-PLACE (1:2)	
CON	THREE-PLACE (1:4)	
SCALE	AS SHOWN	
DRW NO	113248	
DATE	11/13/248	
REV	1	
OF	2	



VIEW B-B

TITLE: DRAINAGE SYSTEM INSTL	
30 NET SCALE DRAWING	FILE NO: 113248
SHEET 2 OF 2	DATE: 11/11/08

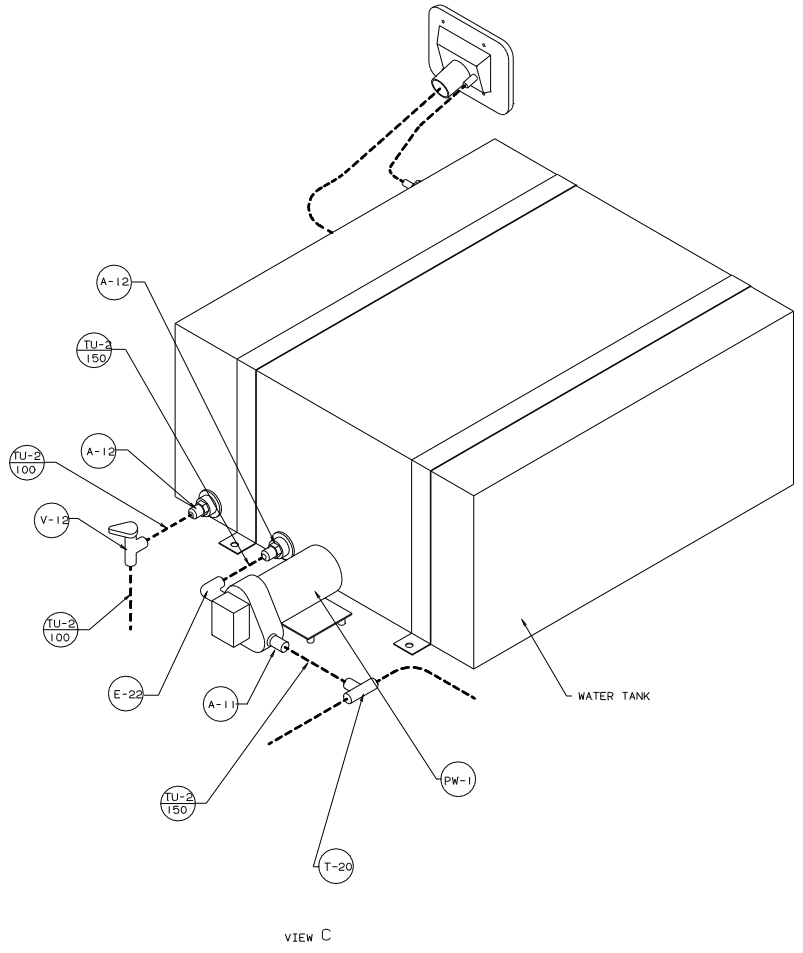
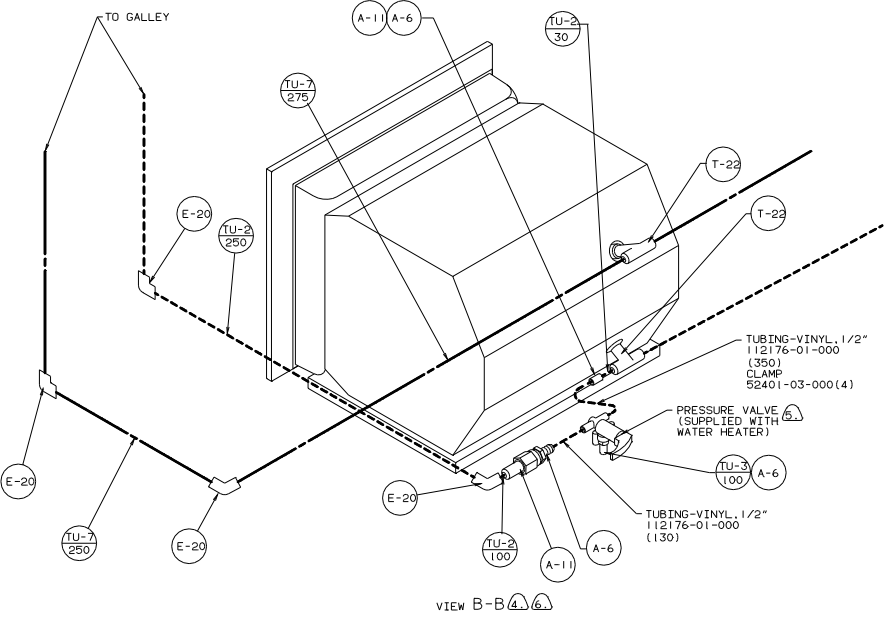
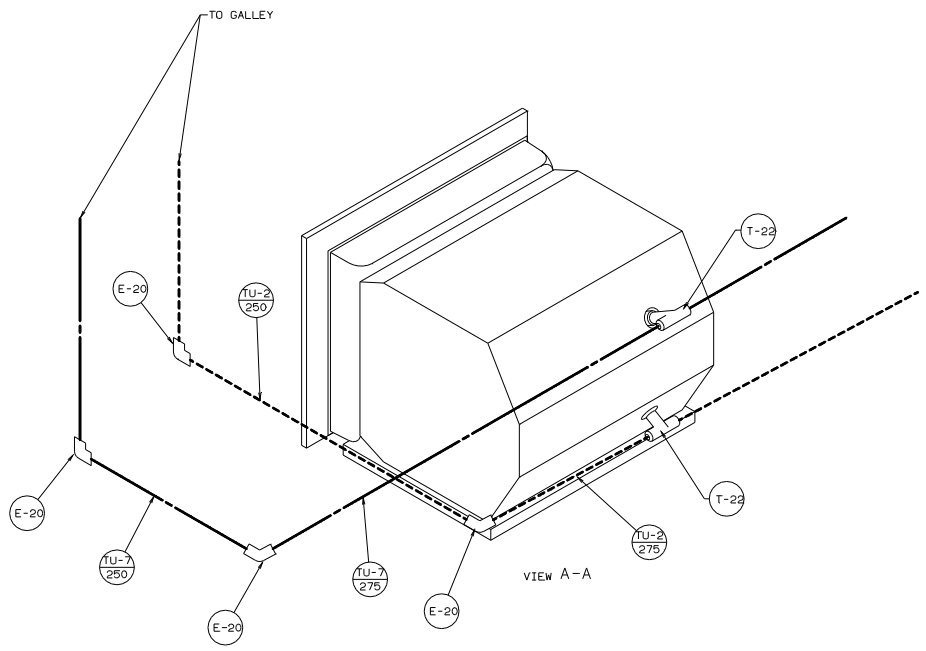


- ④ ADD CONNECTOR LINE WHEN WATER HEATER IS REMOVED WITH EUROPEAN EXPORT PACKAGE.
- ⑤ PRESSURE VALVE MUST BE BETWEEN THE WATER HEATER AND CHECK VALVE.
- ④ USE WITH EUROPEAN EXPORT PACKAGE.
- 3. ALL TUBING TO BE SECURED AT 1200 INTERVALS MAXIMUM WITH CLAMP 10495-01-000 OR CLIP 91951-01-000 AND SCREW G67-10-12B.
- 2. TUBING TO BE INSTALLED WITH SUFFICIENT SLOPE TO PROVIDE DRAINAGE TO NEAREST VALVE.
- 1. PLASTIC FITTINGS TO BE SEALED WITH SEALANT 84456-01-000.

X-X FOR WATER CALLOUTS SEE DWG NO. 116230-01-000

LEGEND	
HOT	—————
COLD	-----

WINNEBAGO 95 D23RC	
QTY	UNSPECIFIED TOLERANCES ARE MATERIAL
CHP	WHOLE OR 1/2"
FR	ONE-PLACE 1/8"
FR	TWO-PLACE 1/8"
FR	ANGLE
CON	TRUSS ANGLE PROJECTION
LAINT NO.	TITLE: WATER SYSTEM INSTL
REV #	SCALE: NONE
NO	30 NET SCALE DRAWING
ALL DIMENSIONS ARE IN MILLIMETERS	SHEET 1 OF 2
REF: 113250	115211



TUBING-VINYL, 1/2"
112176-01-000
(350)
CLAMP
52401-03-000(4)

PRESSURE VALVE
(SUPPLIED WITH
WATER HEATER)

TUBING-VINYL, 1/2"
112176-01-000
(130)

WATER TANK

TITLE:		95 D23RC	
WATER SYSTEM INSTL			
30 NET SCALE DRAWING	2	1	1
SHEET 2 OF 2	1	1	1
115211			