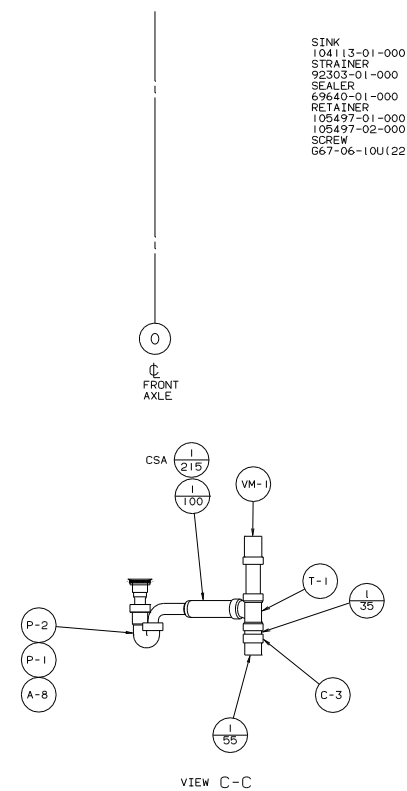
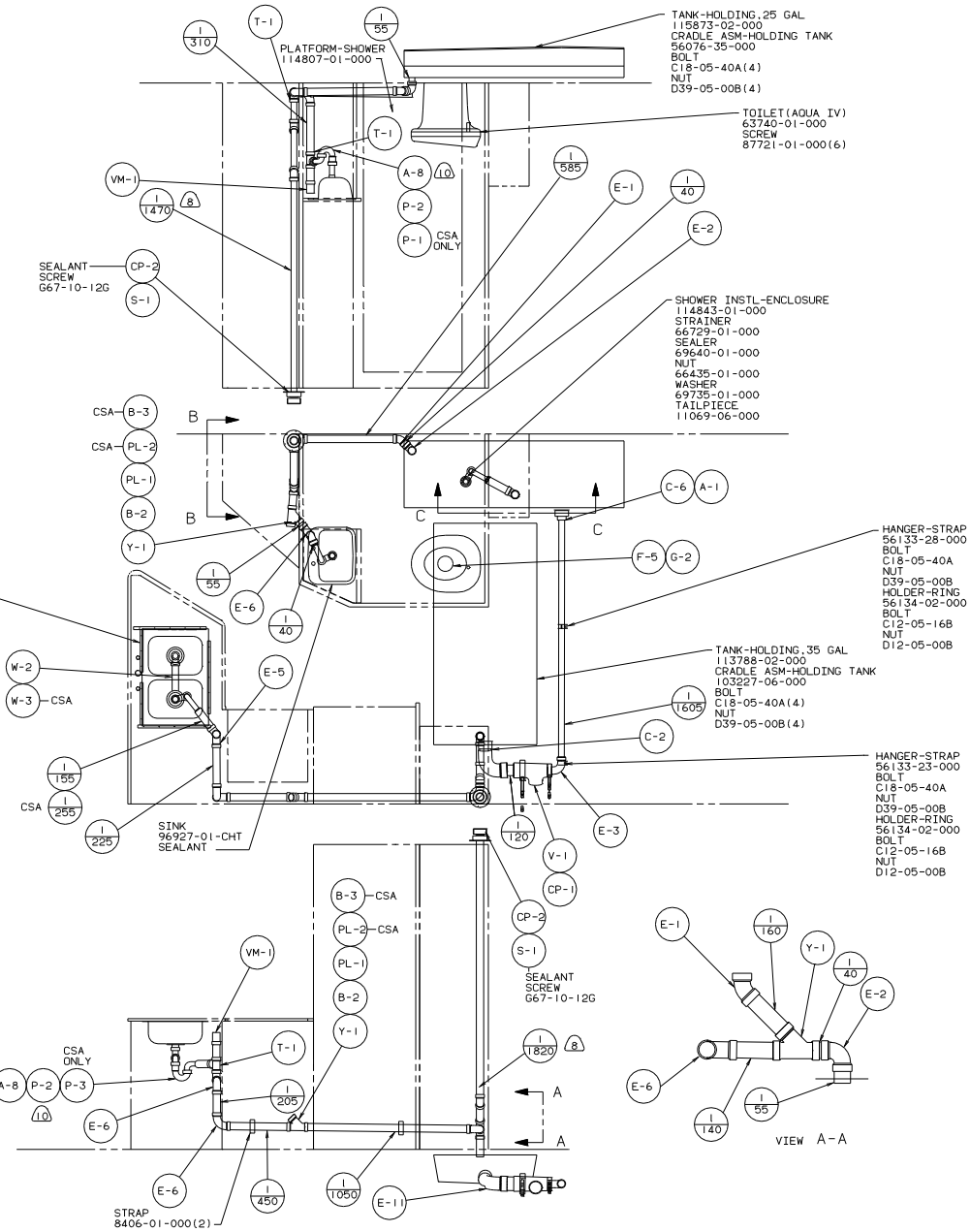


VIEW B-B



VIEW C-C



VIEW A-A

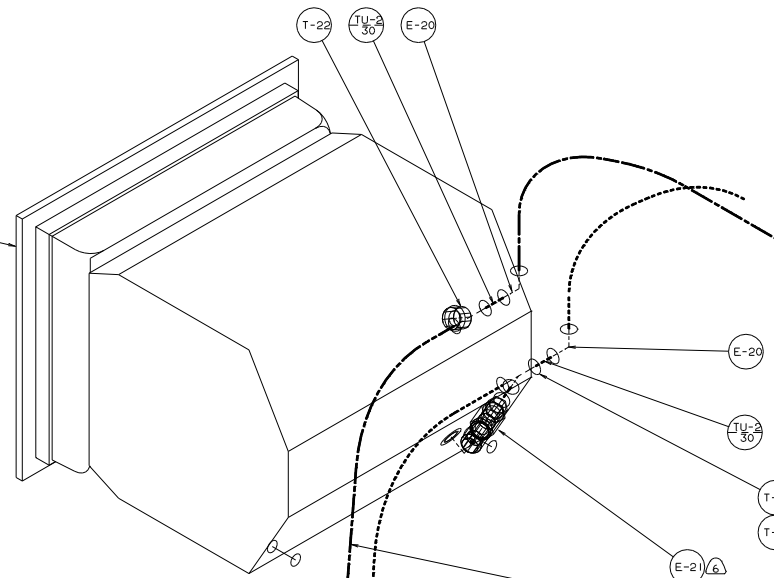
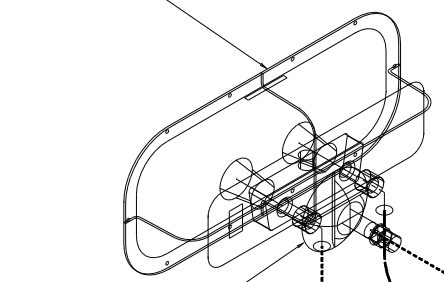
- FOR CAN UNITS EACH HOLDING TANK SHALL HAVE A CSA APPROVAL STAMPED NEAR THE IAMPO APPROVAL.
- ALL EXTERIOR OPENINGS AROUND PIPE TO BE SEALED WITH 110744-01-000.
- ALL PIPE AND FITTINGS TO BE ASSEMBLED WITH SOLVENT 4020-01-000.
- SLOPE OF TRAP ARM MUST BE 6 PER 305.
- SLOPE OF HORIZONTAL PIPING TO BE 6 PER 305 MIN.
- TRIM P-TRAP TO FIT.
- SECURE VENT TUBES TO FLOOR WITH BRACKET 95061-01-000(2), CLAMP 62401-02-000, PLATE COVER 94346-03-000, SCREW G67-10-12B(2), AND STAPLE 5403-03-000.
- VENT PIPE MUST PROJECT 51 MM MIN AND 63.5 MM MAX ABOVE ROOF FOR PROPER FIT AND FUNCTION.
- SEE DWG 61607-01-000 FOR INSTL OF GROMMETS.
- SEAL ALL AROUND SHOWER WITH SILICONE.

(X-X) FOR DRAINAGE CALLOUTS SEE DWG NO. 116229-01-000

WINNERACO		95 429WU
DATE	UNSPECIFIED TOLERANCES ARE	MATERIAL
CHG#	WHOLE OR 1/2	1:1
REV	ONE PLACE (1X 31)	
BY	NO PLACE (1X 30)	
CHK	ANGLE	
DATE	TRIGG: W/OLE	
CODE	PROTECTION	
LAYOUT NO. 429WU5	TITLE: DRAINAGE SYSTEM INSTL	
REV # SCALE 0:0	DO NOT SCALE DRAWING	FILE NO. 114784
ALL DIMENSIONS ARE IN MILLIMETERS	SHEET 1 OF 1	

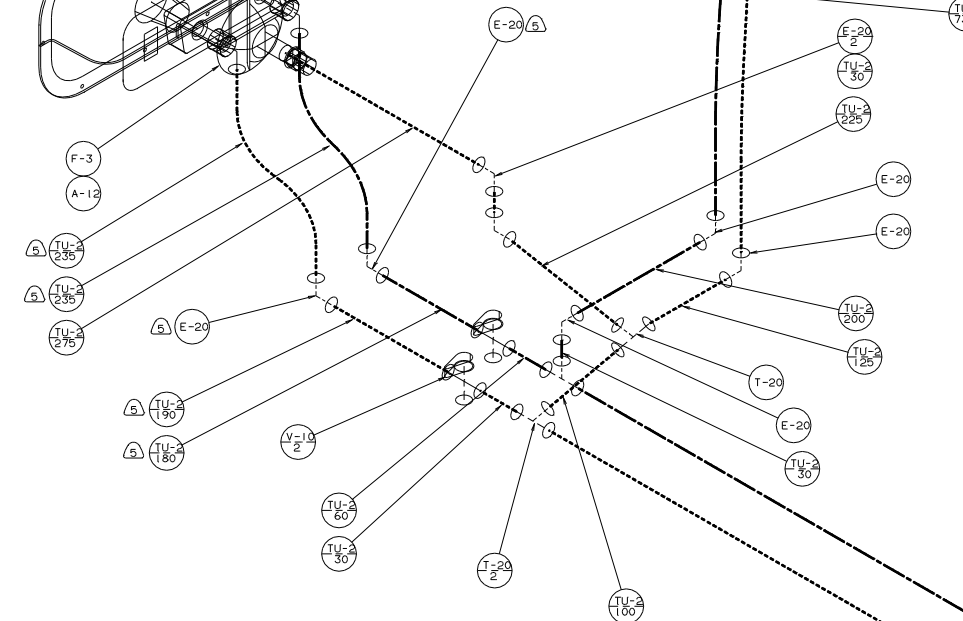
- WATER HEATER
- 51391-01-000
- (MANUAL IGNITION)
- 51391-01-000
- (ELECTRONIC IGNITION)
- 51391-01-000
- (W/MOTOR AID)
- DOOR
- 78506-01-CHT
- AL EXTR
- 2726-01-210
- 2726-01-212(2)
- SCREW
- 639-10-169(18)
- SEALANT

- CA-1
- SH-1
- F-2
- E-20
- 2
- SCREW
- 639-08-128(4)
- AL EXTR
- 2754-S1-005

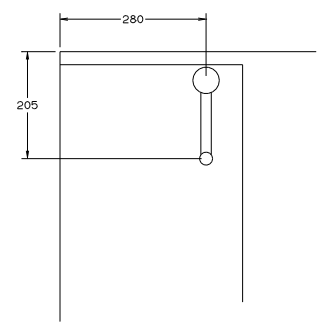


TO GALLEY SINK

TO BATH



- E-20
- TU-2
- 30
- T-20
- TU-2
- 685
- E-20
- TU-2
- 30
- TU-2
- 30
- TU-2
- 730
- E-20
- TU-2
- 30
- TU-2
- 225
- E-20
- E-20
- TU-2
- 200
- TU-2
- 25
- T-20
- E-20
- TU-2
- 30
- TU-2
- 60
- TU-2
- 30
- T-20
- 2
- TU-2
- 100



VIEW B-B

VIEW A-A

95 429WU

TITLE:		WATER SYSTEM INSTL	
30 NET SCALE DRAWING	SIZE	DATE	REV
SHEET 2 OF 2	1/1		114888