

⚠ NOT USED ON CANADIAN UNITS.

10 SECURE VENT TUBES TO FLOOR WITH BRACKET 95061-01-000(2), CLAMP 62401-02-000, PLATE COVER 94346-03-000, SCREW 667-10-126(2), AND STAPLE 5403-03-000.

9 VENT PIPE MUST PROJECT 51 MM MIN AND 63.5 MM MAX ABOVE ROOF FOR PROPER FIT AND FUNCTION.

8. SEE DWG 61607-01-000 FOR INSTL OF GROMMETS.

7. SEAL ALL AROUND SHOWER WITH SILICONE.

6. FOR CAN UNITS EACH HOLDING TANK SHALL HAVE A CSA APPROVAL STAMPED NEAR THE IAMPO APPROVAL.

5. EXPOSED PIPE ABOVE ROOF TO BE PAINTED 37163-01-000.

4. ALL EXTERIOR OPENINGS AROUND PIPE TO BE SEALED WITH 110744-01-000.

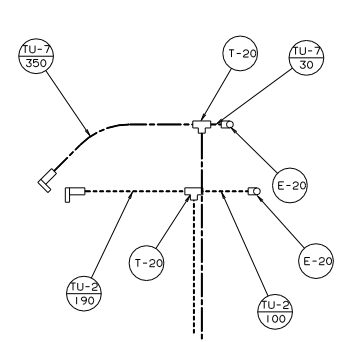
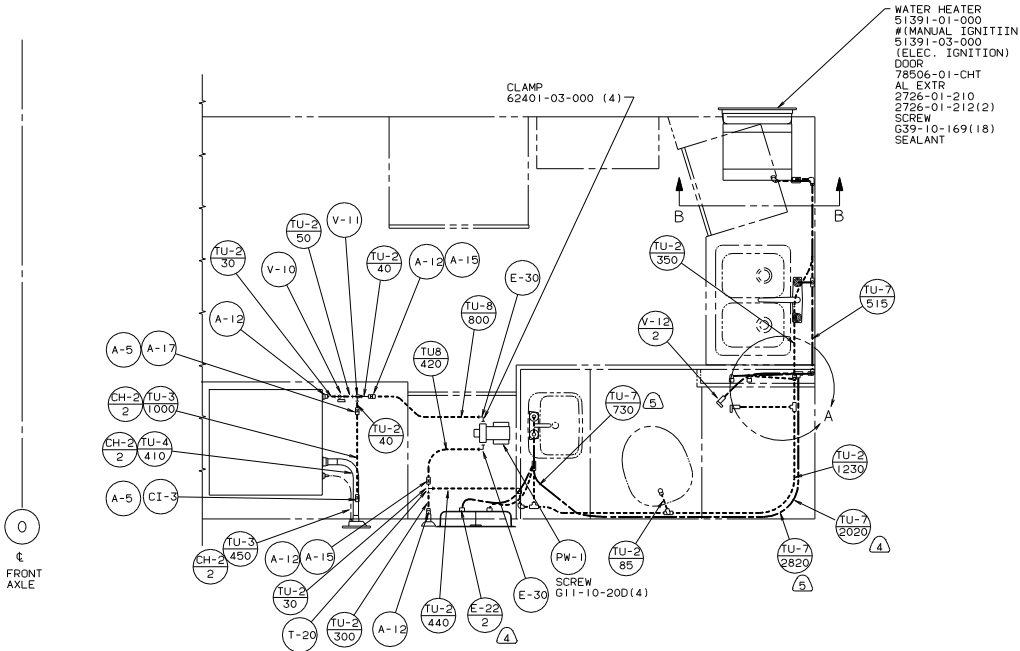
3. ALL PIPE AND FITTINGS TO BE ASSEMBLED WITH SOLVENT 4020-01-000.

2. SLOPE OF TRAP ARM MUST BE 6 PER 305.

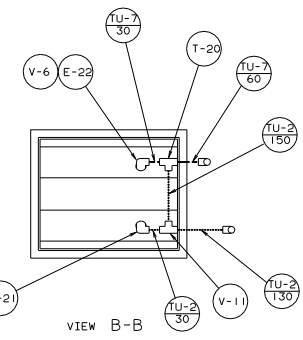
1. SLOPE OF HORIZONTAL PIPING TO BE 6 PER 305 MIN.

FOR DRAINAGE CALCULATIONS SEE DWG NO. 116229-01-000

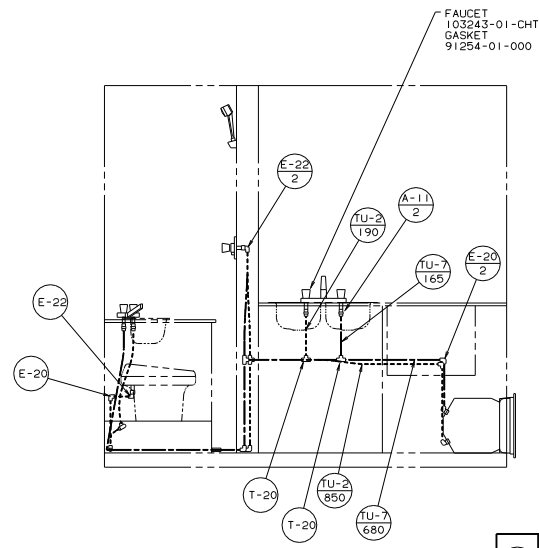
WINNEAGO 95 321RK	
DATE	UNSPECIFIED TOLERANCES ARE: MATERIAL:
CHG	WHOLE DIM (IN)
PIE	ONE-PLACE (IN.XI)
PIE	TWO-PLACE (IN.XXX)
PIE	ANGLE
PIE	THIRD ANGLE PROJECTION
CDR	
LANST NO. 321RK5	TITLE: DRAINAGE SYSTEM INSTL
DWG NO. 116912	
SCALE: NONE	DO NOT SCALE DRAWING
SHEET 1 OF 1	116912



DETAIL A



VIEW B-B



- (7) CAPSEAL SEE SEALANT MANUAL.
 - (6) USE STAPLE 8402-01-000 TO ATTACH TO SIDEWALL.
 - (5) USE WITH OUT EXTERIOR SHOWER.
 - (4) USE WITH EXTERIOR SHOWER.
3. ALL TUBING TO BE SECURED AT 1200 INTERVALS MAX WITH CLAMP 10495-01-000 AND SCREW G67-10-12B.
 2. TUBING TO BE INSTALLED WITH SUFFICIENT SLOPE TO PROVIDE DRAINAGE TO NEAREST VALVE.
 1. PLASTIC FITTINGS TO BE SEALED WITH SEALANT 84456-01-000.

LEGEND

HOT	———
COLD	-----

FOR WATER CALLOUTS SEE DWG NO. 116230-01-000

WINNERAGO 95 321RK	
DATE: 08/19/02	REV: 1
UNSPECIFIED TOLERANCES ARE: MATERIAL	
CHRP	WHOLE DIM (IN)
F.F.E	ONE-PLACE (IN.XI)
F.F.E	TWO-PLACE (IN.XX)
F.F.E	ANGLE
CDPR	THRU HOLE PROJECTION
LANDED NO: 321RK5	TITLE: WATER SYSTEM INSTL
DIA # SCALE: NONE	30 NET SCALE DRAWING
ALL DIMENSIONS ARE IN MILLIMETERS	SHEET 1 OF 1