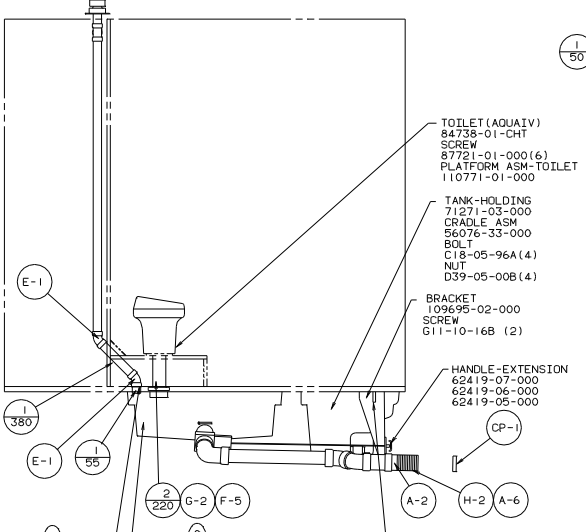
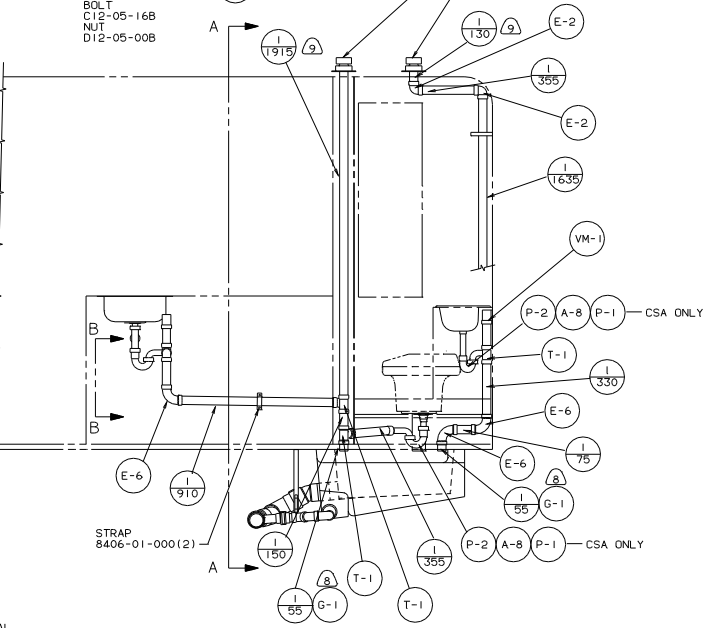
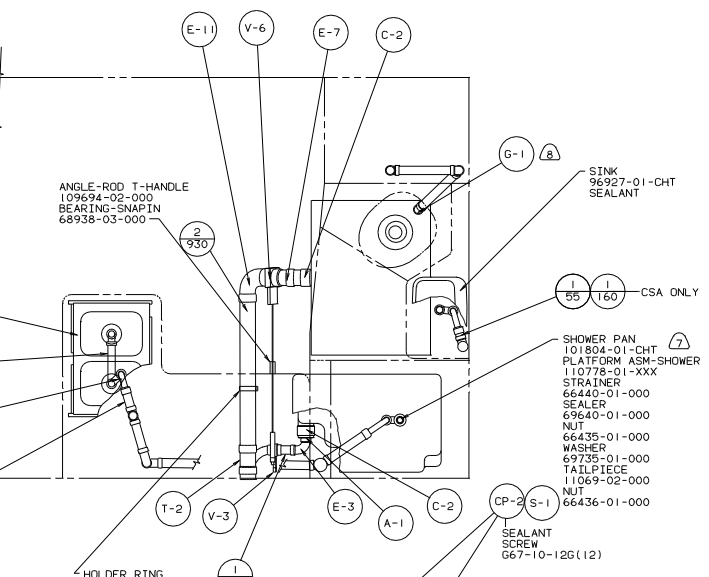


VIEW B-B



VIEW A-A



- SINK 104113-01-000
- STRAINER 92303-01-000
- SEALANT 105497-01-000(2)
- ANGLE-SINK\_RETAINER 105497-02-000(4)
- SCREW G67-10-12G(22)

- ANGLE-ROD T-HANDLE 109694-02-000
- BEARING-SNAP-IN 68938-03-000

- SINK 96927-01-CHT
- SEALANT
- CSA ONLY 55 160
- SHOWER PAN 101804-01-CHT
- PLATFORM ASM-SHOWER 110778-01-XXX
- STRAINER 66440-01-000
- SEALER 69640-01-000
- NUT 66435-01-000
- WASHER 69735-01-000
- TAILPIECE 11069-02-000
- NUT 66436-01-000

- SEALANT
- SCREW G67-10-12G(12)

- HOLDER RING 56134-01-000
- BOLT C12-05-16B
- NUT D12-05-00B

- TOILET (AQUAVI) 84738-01-CHT
- SCREW 87721-01-000(6)
- PLATFORM ASM-TOILET 110771-01-000

- TANK-HOLDING CRADLE ASM 71271-03-000
- 56076-33-000
- BOLT C18-05-96A(4)
- NUT D39-05-00B(4)

- BRACKET 109695-02-000
- SCREW G11-10-16B(2)

- HANDLE-EXTENSION 62419-07-000
- 62419-06-000
- 62419-05-000

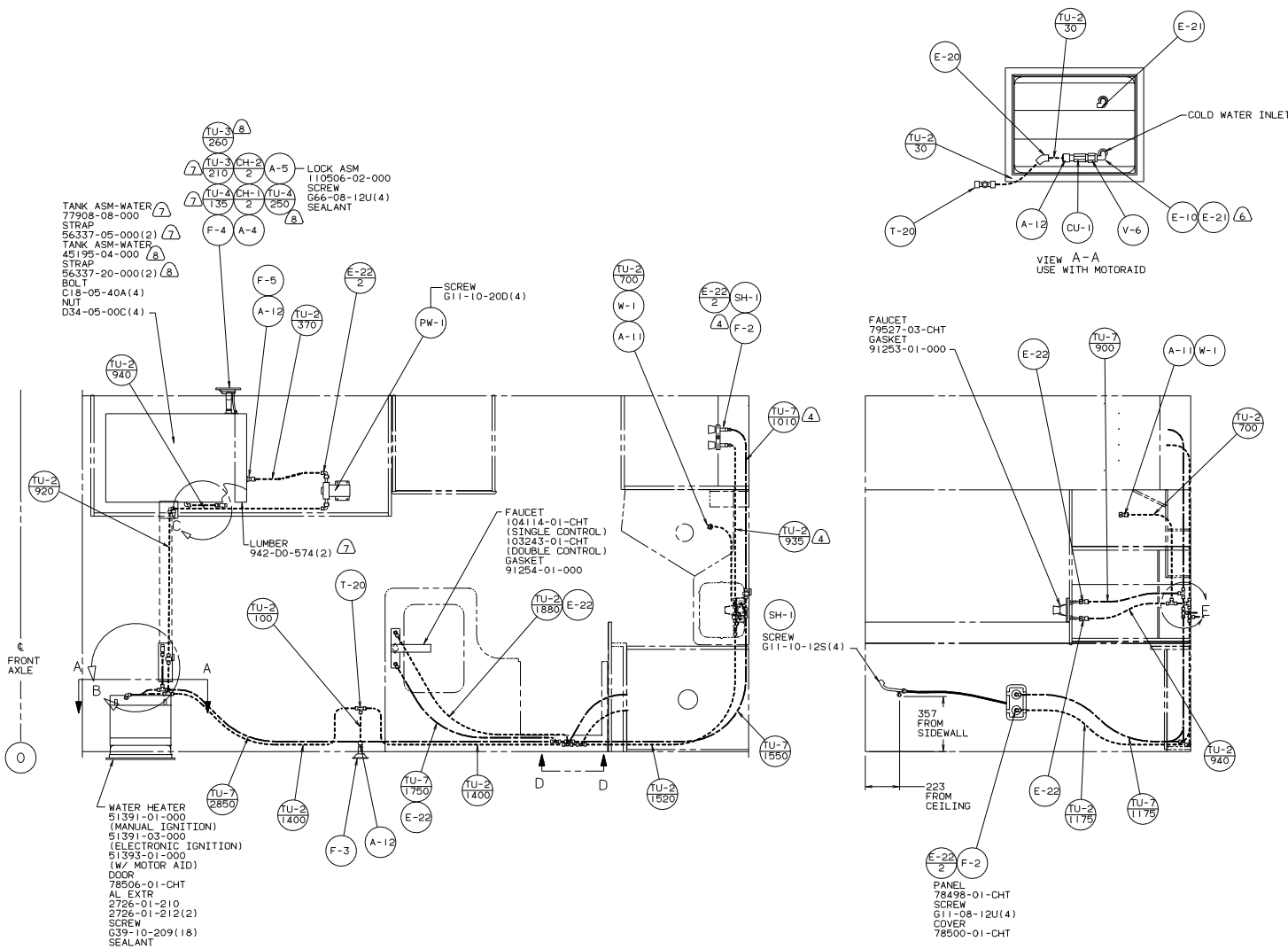
- BRACKET 76827-02-000
- SCREW G39-10-12B(2)
- G11-10-16B(2)

- BRACKET 95061-01-000(3)
- SCREW G67-10-12B(6)
- CLAMP 62401-02-000(3)

- (10) SECURE VENT TUBES TO FLOOR.
- (9) VENT PIPE MUST PROJECT 51 MM MIN AND 63.5 MM MAX ABOVE ROOF FOR PROPER FIT AND FUNCTION.
- (8) SEE DWG 61607-01-000 FOR INSTL OF GROMMET.
- (7) SEAL ALL AROUND SHOWER WITH SILICONE 78474-01-CHT.
- 6. FOR CAN UNITS EACH HOLDING TANK SHALL HAVE A CSA APPROVAL STAMPED NEAR THE IAMPO APPROVAL .
- 5. EXPOSED PIPE ABOVE ROOF TO BE PAINTED 37163-01-000.
- 4. ALL EXTERIOR OPENINGS AROUND PIPE TO BE SEALED WITH 110744-01-000.
- 3. ALL PIPE AND FITTINGS TO BE ASSEMBLED WITH SOLVENT 4020-01-000.
- 2. SLOPE OF TRAP ARM MUST BE 6 PER 305.
- 1. SLOPE OF HORIZONTAL PIPING TO BE 6 PER 305 MIN.

(X-X) FOR DRAINAGE CALLOUTS SEE DWG NO. 116229-01-000

<b>WINNERAGO</b>		94 421RB
DRY IN	UNSPECIFIED TOLERANCES ARE	MATERIAL
CHD	WHOLE OR .01	
FR	ONE PLACE (X .XX)	
FR	TWO PLACES (X .XXX)	
FIN	ANGLE	
CONC	TRUSS W/OUT PROTECTION	
LABOR NO 421RB4	TITLE: DRAINAGE SYSTEM INSTL	
REV 0	30 NET SCALE DRAWING	DRG NO 110931
	ALL DIMENSIONS ARE IN MILLIMETERS	SHEET 1 OF 1

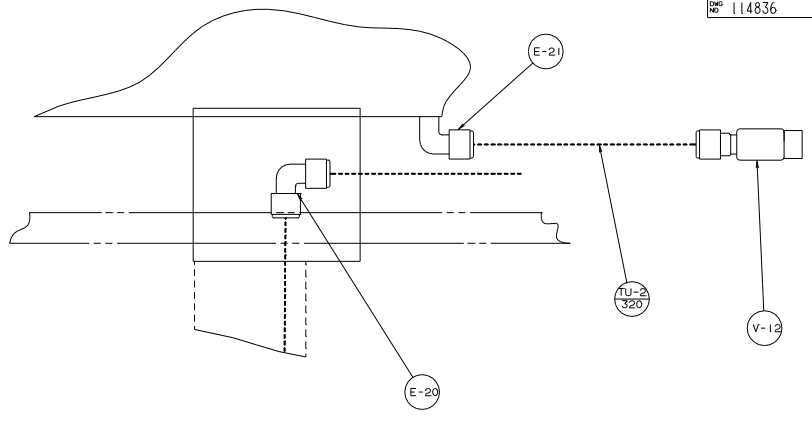
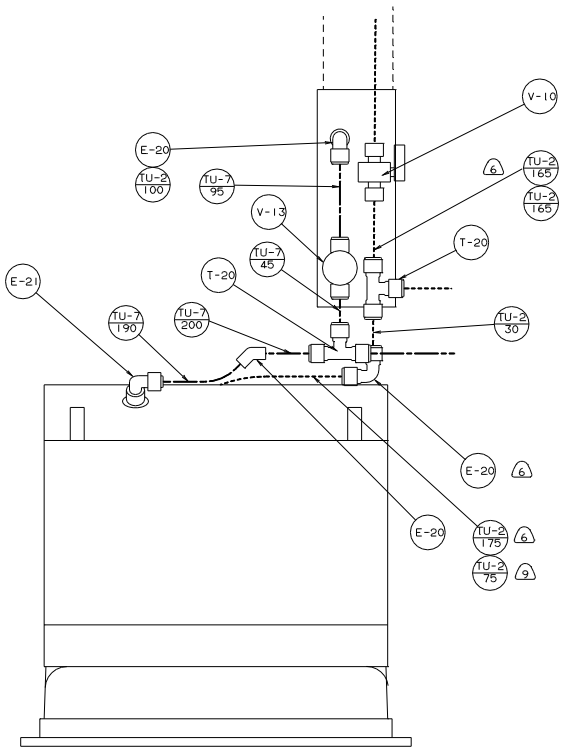


- (10) USE WITH EXTERIOR ENTERTAINMENT CENTER.
  - (9) USE WITH MOTOR AID.
  - (8) USE WITHOUT JAPAN EXPORT PACKAGE.
  - (7) USE WITH JAPAN EXPORT PACKAGE.
  - (6) USE WITHOUT MOTOR AID.
  - (5) USE WITHOUT EXTERIOR SHOWER.
  - (4) USE WITH EXTERIOR SHOWER.
3. ALL TUBING TO BE SECURED AT 1200 INTERVALS MAXIMUM WITH CLAMP 10495-01-000 AND SCREW G67-10-12B.
2. TUBING TO BE INSTALLED WITH SUFFICIENT SLOPE TO PROVIDE DRAINAGE TO NEAREST VALVE.
1. PLASTIC FITTINGS TO BE SEALED WITH SEALANT 84456-01-000.

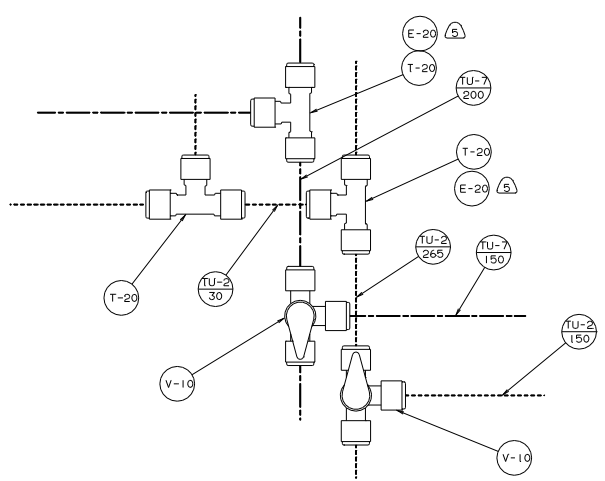
LEGEND	
HOT	—————
COLD	-----

(X-X) FOR WATER CALLOUTS SEE DWG NO. 116230-01-000

		95 321RB
DPT# CMP# P/E D/E CDR#	UNPRESSED TOLERANCES ARE: HOLE DIA (X) . . . ± .1 DRILL DIA (X) . . . ± .1 DRILL DIA (X) . . . ± .1 DRILL DIA (X) . . . ± .1 DRILL DIA (X) . . . ± .1	MATERIAL FINISH DIMS: UNLESS OTHERWISE SPECIFIED DIMS: UNLESS OTHERWISE SPECIFIED
LAYOUT NO. 421RB4 DIA OF SCALE NONE ALL DIMENSIONS ARE IN MILLIMETERS	TITLE: WATER SYSTEM INSTL SHEET 1 OF 2 REF: 111084	114836

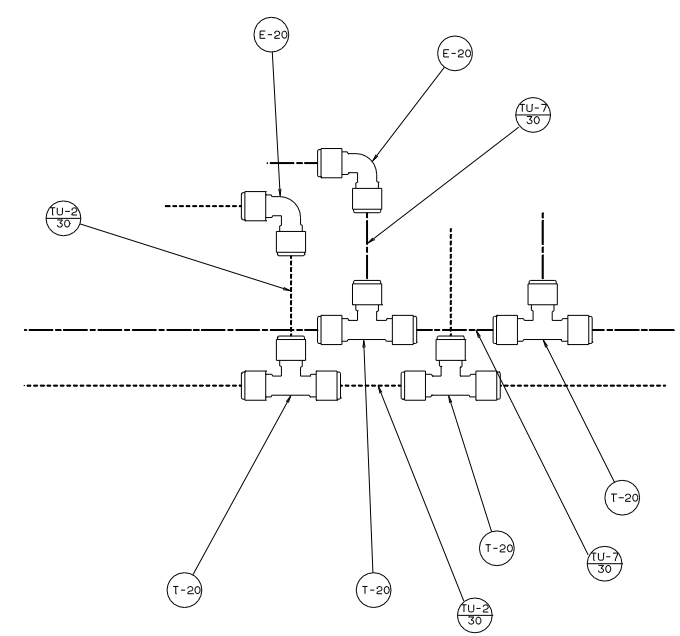


DETAIL B



DETAIL E

DETAIL C



VIEW D-D

95 321RB

TITLE:		WATER SYSTEM INSTL	
30 NET SCALE DRAWING	DATE	1.1	114836
SHEET 2 OF 2	REV		