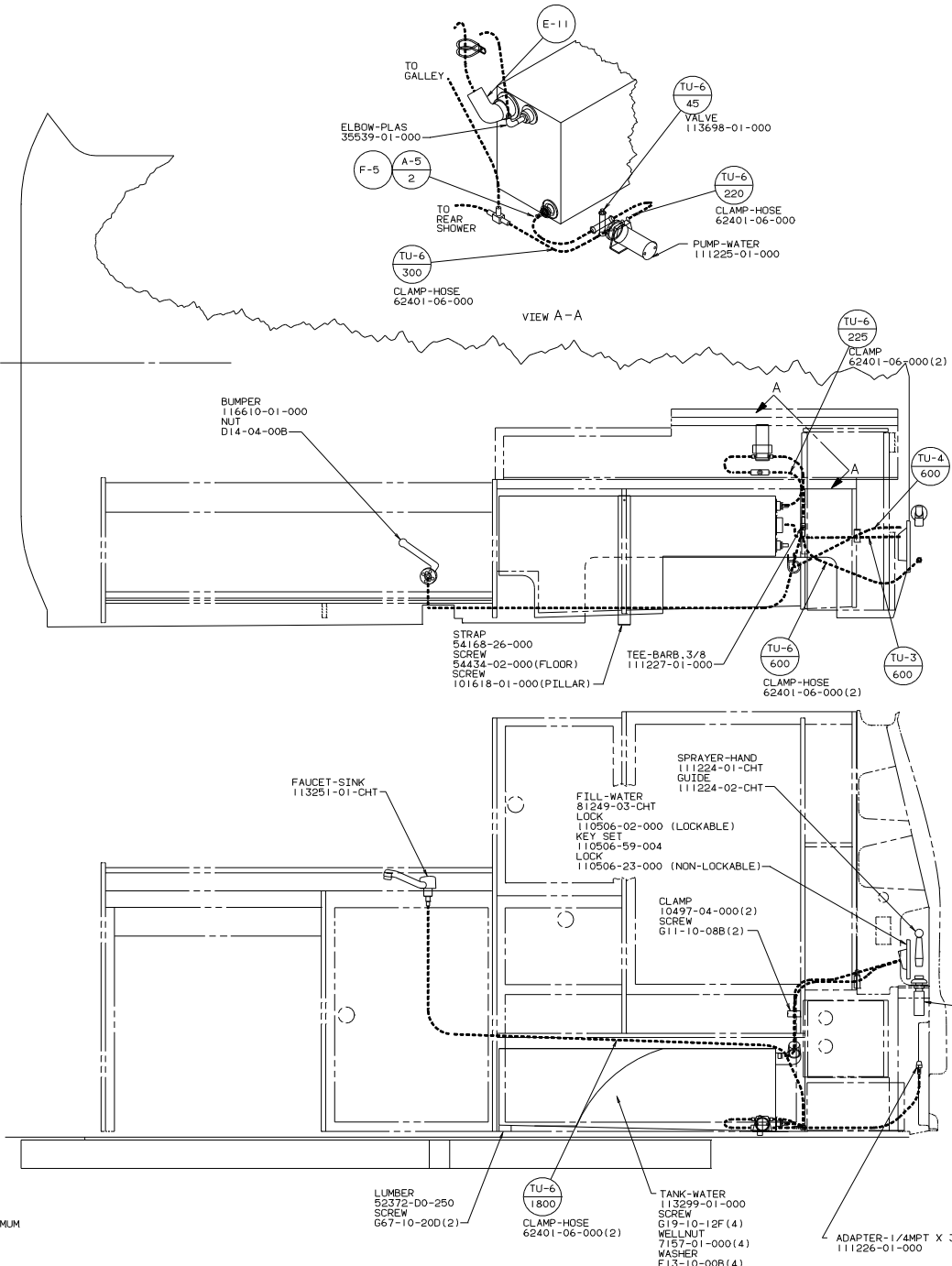


NO	PART NUMBER	DESCRIPTION	QTY
2	010197-01-000	PIPE-3"	
1	010197-02-000	PIPE-.3" BLK CSA	801
	010195-01-000	PIPE-1 1/2"	
	010195-02-000	PIPE-1 1/2" CSA	
Y-1	010073-01-000	WYE-1 1/2" X 45" H X H X H	
W-3	011091-03-000	CONTINUOUS WASTE 1 1/4" CSA	
W-2	011091-02-000	CONTINUOUS WASTE 1 1/4"	
W-1	011091-01-000	CONTINUOUS WASTE 1 1/4"	
VM-1	079968-01-000	VENT-MECHANICAL	
V-7	062418-01-000	VALVE-3", W/HANDLE	
V-6	062418-02-000	VALVE-3" W/O HANDLE	
V-5	082696-01-000	VALVE-3"	
V-4	062421-02-000	VALVE-1 1/2" W/O HANDLE	
V-3	062421-01-000	VALVE-1 1/2" W/HANDLE	
V-2	082695-01-000	VALVE-1 1/2"	
V-1	070916-01-000	VALVE-DUAL, 3" & 1 1/2"	
T-3	010071-02-000	TEE-PLAS 1 1/2 W/BAFFLE	
T-2	031365-01-000	TEE-PLAS, 3X3X1 1/2 EXT LG TUR	
T-1	010071-01-000	TEE-1 1/2" X 1 1/2" X 1 1/2"	
PL-3	010168-01-000	PLUG-1 1/2"	
PL-2	010166-02-000	PLUG-1 1/4" MPT CSA	
PL-1	010166-01-000	PLUG-1 1/4" MPT	
P-3	011071-01-000	P-TRAP-CANADA-GALLEY	
P-2	107538-01-000	P-TRAP-PLAS 1 1/4" W/EXT ARM	
P-1	011066-02-000	P-TRAP-1 1/4" & 1 1/2" CSA	
N-4	010129-04-000	NIPPLE-PLAS 3" X 7 5/8" TOE	
N-3	010129-03-000	NIPPLE-PLAS 3" X 3" TOE	
N-2	010129-01-000	NIPPLE-PLAS 3" X 2 5/8" TOE	
N-1	102024-01-000	NIPPLE-PLAS 1 1/2" X 2 5/8" TOE	
H-2	010201-02-000	HOSE SEWER 3" ID X 20 FT	
H-1	010201-01-000	HOSE SEWER 3" ID X 10 FT	
G-2	061607-02-000	GROMMET	
G-1	061607-01-000	GROMMET	
F-6	063641-02-000	FLANGE-CLOSET 4" X 3"	
F-5	063641-01-000	FLANGE-CLOSET 4" X 3"	
F-4	024676-02-000	FLANGE-CLOSET 4" X 3"	
F-3	024676-01-000	FLANGE-CLOSET 4" X 3"	
F-2	010147-02-000	FLANGE-CLOSET 4" X 3" FPT	
F-1	010147-01-000	FLANGE-CLOSET 4" X 3" FPT	
E-15	010005-01-000	ELBOW-PLAS 1/16 BD 1 1/2X22 1/2	
E-14	010009-01-000	ELBOW-ST-PLAS 1/4 BD 1 1/2 X 90	
E-13	011126-01-000	ELBOW 3" X EXTRA LONG TURN	
E-12	037101-01-000	ELBOW-90" SHORT TURN	
E-11	041956-01-000	ELBOW-3" X 90 EXTRA LONG TURN	
E-10	010061-01-000	ELBOW-3" X 45" S	
E-9	010024-01-000	ELBOW-3" X 45"	
E-8	010025-01-000	ELBOW-3" X LONG TURN	
E-7	010023-01-000	ELBOW-PLAS, ST 1/16BD 3 X 22.5'	
E-6	010008-01-000	ELBOW-1 1/2" X 90 EXT LG TURN	
E-5	010001-01-000	ELBOW-1 1/2" X 45" S	
E-4	010001-01-000	ELBOW-1 1/2" X 45"	
E-3	033761-01-000	ELBOW-1 1/2" X 90 EXT LG TURN	
E-2	034250-01-000	ELBOW-1 1/2" X LONG TURN	
E-1	010006-01-000	ELBOW-PLAS-1/8BD 1 1/2X45 HHX	
CP-2	089069-01-CHT	CAP ASM-VENT PIPE, ROOF	
CP-1	062415-01-000	CAP-SEWER 3"	
C-3	010115-01-000	COUPLER-1 1/2" X 1 1/2"	
C-2	078406-01-000	COUPLER-RUBBER 3" X 3"	
C-1	010117-01-000	COUPLER-3 H X H	
B-3	010122-02-000	BUSHING-PLAS 1 1/2 X 1 1/4T CSA	
B-2	010122-01-000	BUSHING-PLAS 1 1/2" X 1 1/4T	
B-1	010123-01-000	BUSHING-2" X 1 1/2"	
A-8	109571-01-000	ADAPTER-1 1/2" X 1 1/4" MPT	
A-6	062416-01-000	HOSE-ADAPTER, 3"	
A-5	033302-01-000	ADAPTER 1 1/2"	
A-4	062417-01-000	ADAPTER-3"	
A-3	093592-01-000	ADAPTER-SEWER HOSE 45"	
A-2	109450-01-000	ADAPTER-PLAS HOSE, SEWER	
A-1	062422-01-000	ADAPTER-OFFSET REDUCER 3 X 1 1/2"	

- (9) USE FOR CANADA EXPORT.
- 8. ALL EXTERIOR OPENINGS AROUND PIPE TO BE SEALED WITH 69637-01-000.
- (7) VENT PIPE MUST BE PROJECTED 6 TO 15 MAXIMUM FROM SIDEWALL FOR PROPER FIT AND FUNCTION.
- (6) SEE DRAWING 61607-01-000 FOR INSTALLATION OF GROMMET.
- 5. EXPOSED PIPE ON EXTERIOR TO BE PAINTED 37163-01-000.
- 4. FOR CANADIAN UNITS EACH HOLDING TANK SHALL HAVE A CSA APPROVAL STAMPED NEAR IAPMO APPROVAL.
- 3. ALL PIPE AND FITTINGS TO BE ASSEMBLED WITH SOLVENT 4020-01-000.
- 2. SLOPE OF TRAP MUST BE 6 PER 300 MINIMUM.
- 1. SLOPE OF HORIZONTAL PIPING TO BE 6 PER 300 MINIMUM.

(10) FASTENER CLAMPS AND SCREWS SUPPLIED WITH SINK.



VEHICLE

FRONT AXLE

FRONT AXLE

WITH FURNACE

- ALL TUBING TO BE SECURED AT 1200 INTERVALS MAXIMUM WITH CLAMP 10495-01-000 AND SCREW G67-10-12B.
- TUBING TO BE INSTALLED WITH SUFFICIENT SLOPE TO PROVIDE DRAINAGE TO NEAREST VALVE.
- PLASTIC FITTINGS TO BE SEALED WITH SEALANT 84456-01-000.

(X-X) FOR WATER CALLOUTS SEE DWG NO. 116230-01-000

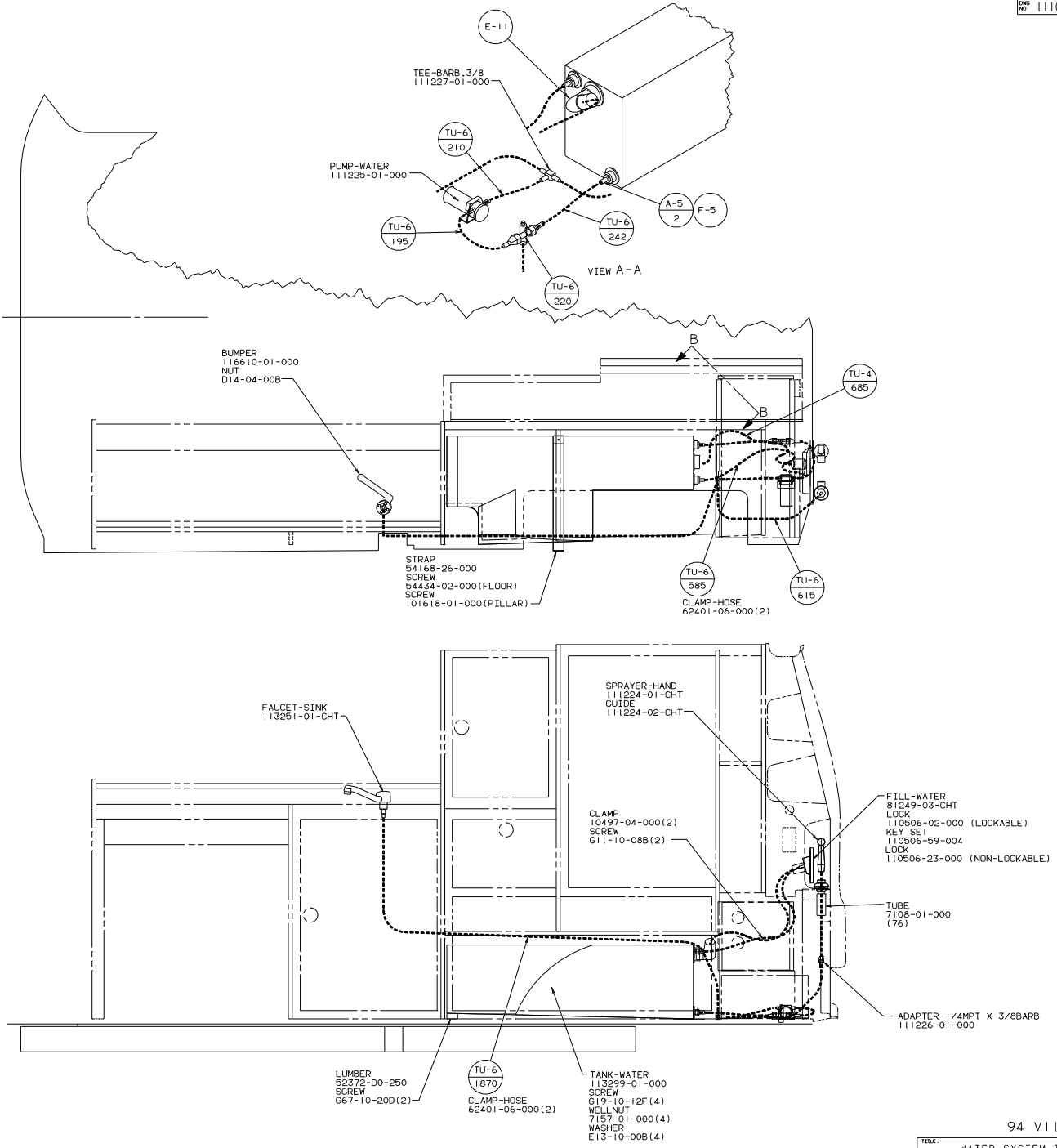
WINNERAGO 94 V117RC	
DATE	UNSPECIFIED TOLERANCES ARE MATERIAL
CHG	SCALE OR 1:1
REV	ONE-PLACE (IN 31)
REV	TWO-PLACE (IN 30)
REV	ANGLE
REV	TRUSS W/ANGLE PROJECTION
LABOR	DATE
NO. WYVAN3	111057
REV	SCALE
NO.	NO.
ALL DIMENSIONS ARE IN MILLIMETERS	SHEET 1 OF 2
111057	

VEHICLE

FRONT AXLE

FRONT AXLE

WITHOUT FURNACE



94 V117RC

TITLE:		WATER SYSTEM INSTL	
30 NET SCALE DRAWING	DATE	1/1	1/1
SHEET 2 OF 2	REV	1	1
		111057	