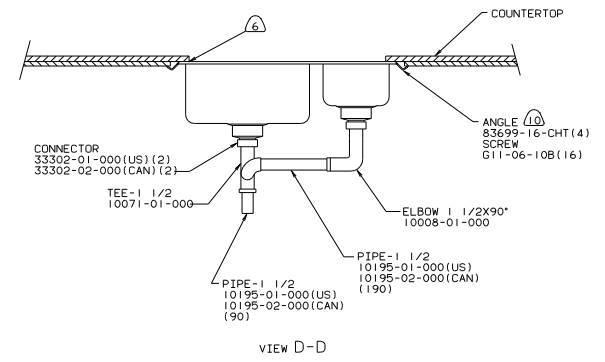
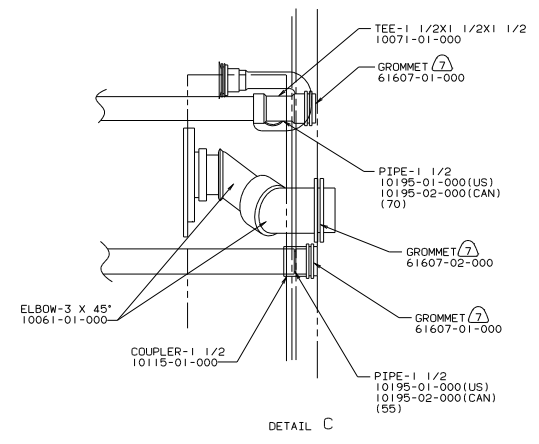
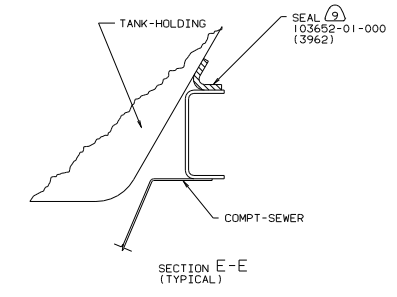
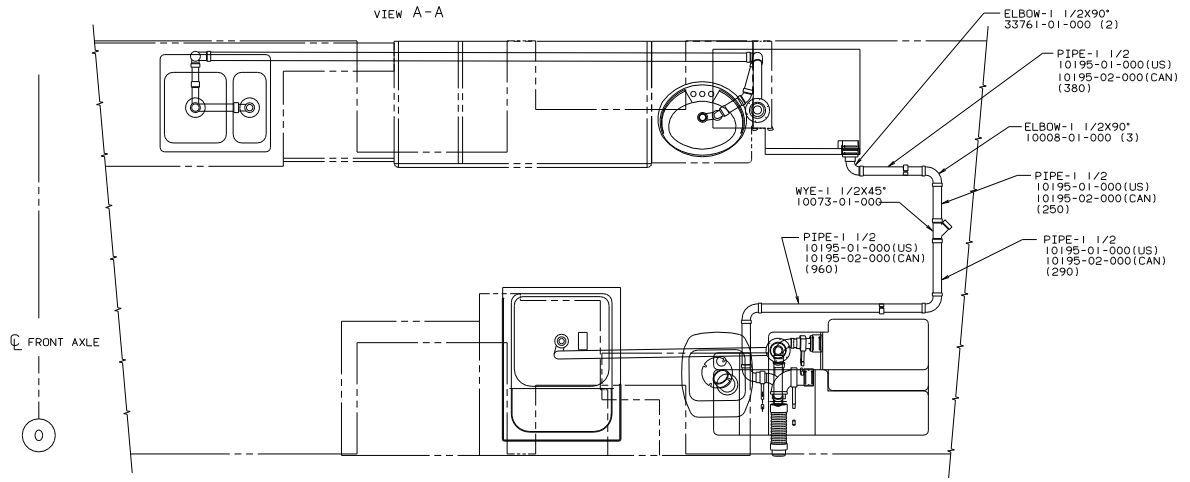
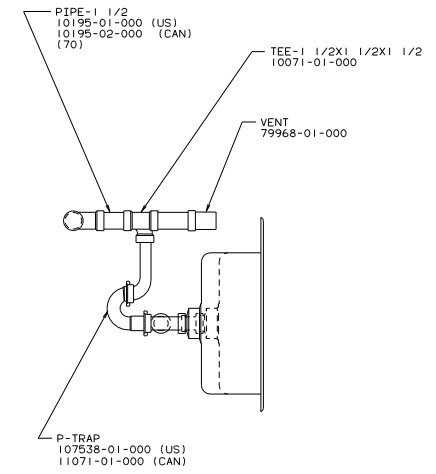
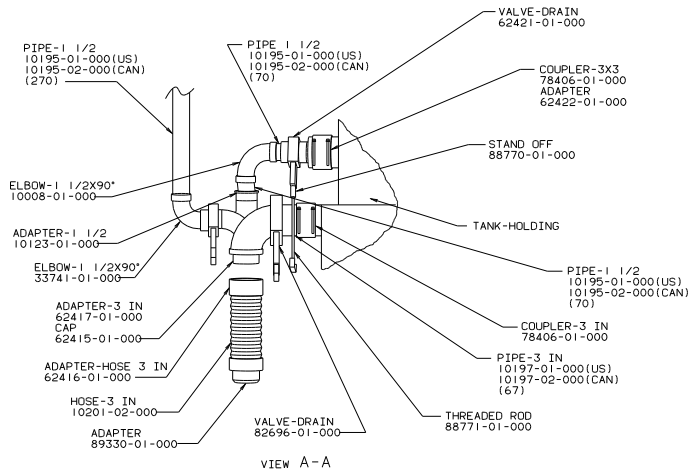
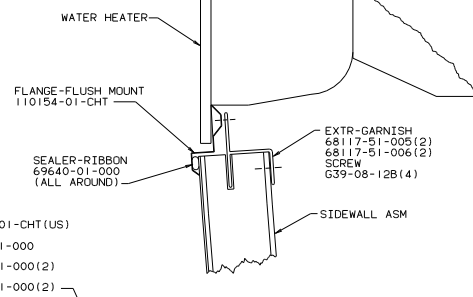
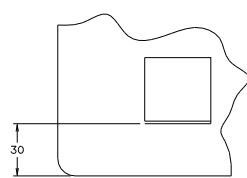
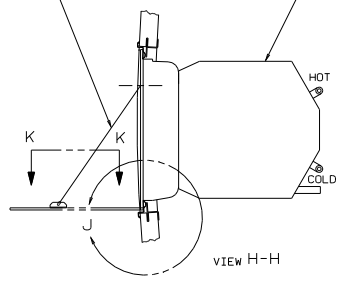


WINNEBAGO		94 P37R0
DATE	UNSPECIFIED TOLERANCES ARE:	MATERIAL
CHRP	WHOLE DIM (1)	F 1
FR	ONE-PLACE (1)	F 1
FR	TWO-PLACE (1)	F 1
FR	ANGLE	F 1
CDR	THIRD ANGLE PROJECTION	F 1
LANP	P37R04	TITLE: DRAINAGE SYSTEM INSTL
DIA #	SCALE: NONE	DO NOT SCALE DRAWING
ALL DIMENSIONS ARE IN MILLIMETERS	SHEET 1 OF 2	FIG 1E
REF: 106092	110669	



WATER HTR W/MTR AID DIR IGN  
 51393-01-000  
 DOOR  
 78506-01-CHT  
 SCREW  
 G39-10-10S(18)  
 SEALANT  
 EXTR  
 2726-01-210  
 2726-01-212(2)



FAUCET  
 103548-01-CHT(US)  
 GASKET  
 91293-01-000  
 NUT  
 52952-01-000(2)  
 ADAPTER  
 79317-01-000(2)

SHOWER HEAD  
 11048-02-000(US)  
 11048-05-000(CAN)  
 SCREW  
 G11-10-12S(4)

DETAIL J

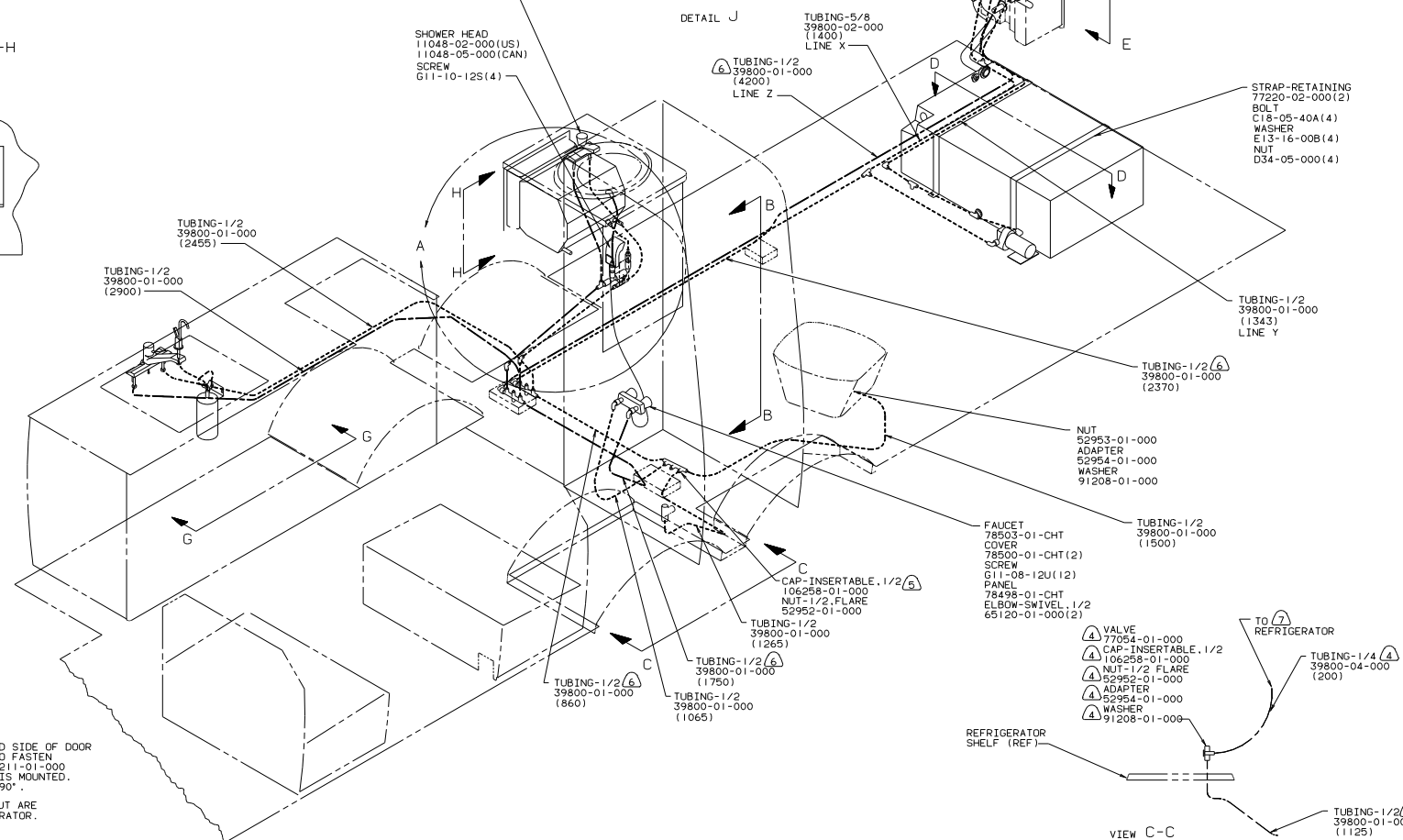
TUBING-5/8  
 39800-02-000  
 (1400)  
 LINE X

TUBING-1/2  
 39800-01-000  
 (4200)  
 LINE Z

TUBING-1/2  
 39800-01-000  
 (2455)

TUBING-1/2  
 39800-01-000  
 (2900)

VIEW K-K



STRAP-RETAINING  
 77220-02-000(2)  
 BOLT  
 C18-05-40A(4)  
 WASHER  
 E13-16-00B(4)  
 NUT  
 D34-05-000(4)

TUBING-1/2  
 39800-01-000  
 (1343)  
 LINE Y

TUBING-1/2  
 39800-01-000  
 (2370)

NUT  
 52953-01-000  
 ADAPTER  
 52954-01-000  
 WASHER  
 91208-01-000

TUBING-1/2  
 39800-01-000  
 (1500)

FAUCET  
 78503-01-CHT  
 COVER  
 78500-01-CHT(2)  
 SCREW  
 G11-08-12U(12)  
 PANEL  
 78498-01-CHT  
 ELBOW-SWIVEL 1/2  
 65120-01-000(2)

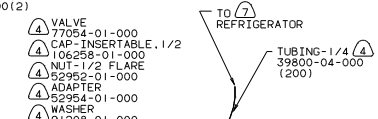
CAP-INSERTABLE 1/2  
 106258-01-000  
 NUT-1/2-FLARE  
 52952-01-000

TUBING-1/2  
 39800-01-000  
 (1265)

TUBING-1/2  
 39800-01-000  
 (1750)

TUBING-1/2  
 39800-01-000  
 (860)

TUBING-1/2  
 39800-01-000  
 (1065)



VALVE  
 77054-01-000  
 CAP-INSERTABLE 1/2  
 106258-01-000  
 NUT-1/2-FLARE  
 52952-01-000  
 ADAPTER  
 52954-01-000  
 WASHER  
 91208-01-000

REFRIGERATOR SHELF (REF)

8. CABLE TO BE INSTALLED ON FOWARD SIDE OF DOOR USING THE 2ND FROM TOP SCREW TO FASTEN UPPER TERMINAL. USE CLEANER 87211-01-000 ON INSIDE OF DOOR WHERE ANGLE IS MOUNTED. DOOR IS TO OPEN APPROXIMATELY 90°.
7. UNION CONNECTOR, SLEEVE, AND NUT ARE SUPPLIED WITH ICEMAKER REFRIGERATOR.
6. TUBING ROUTED IN FLOOR.
5. USE WITHOUT ICEMAKER IN REFRIGERATOR.
4. USE WITH ICEMAKER IN REFRIGERATOR ONLY.
3. ALL TUBING TO BE SECURED AT 1200 INTERVALS MAX. WITH CLAMP 10495-01-000 AND SCREW G67-10-12B.
2. TUBING TO BE INSTALLED WITH SUFFICIENT SLOPE TO PROVIDE DRAINAGE TO NEAREST VALVE.
1. PLASTIC FITTINGS TO BE SEALED WITH SEALANT TAPE 9201-01-000.

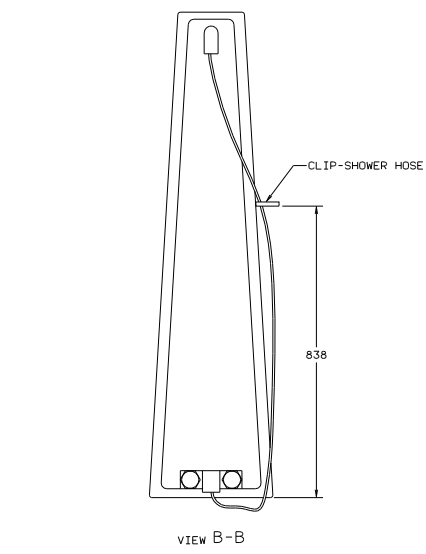
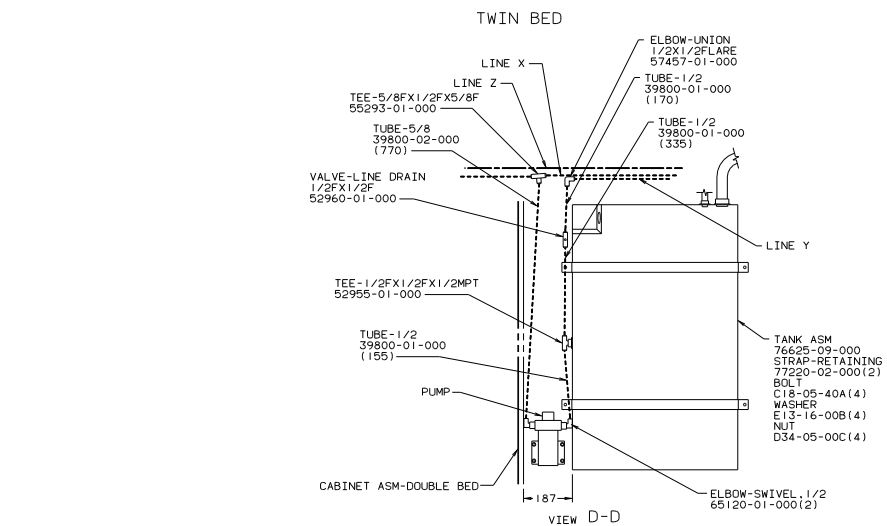
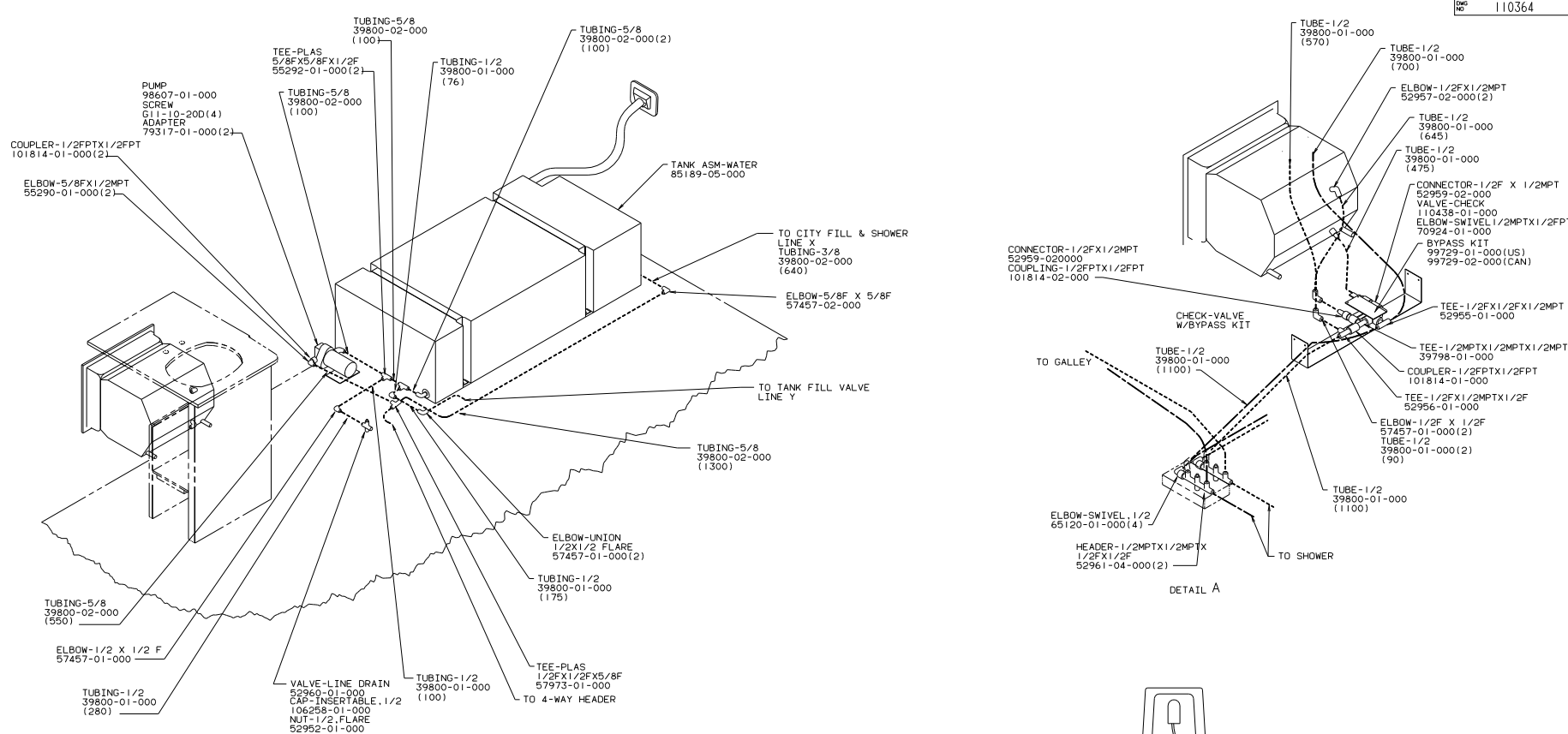
LEGEND

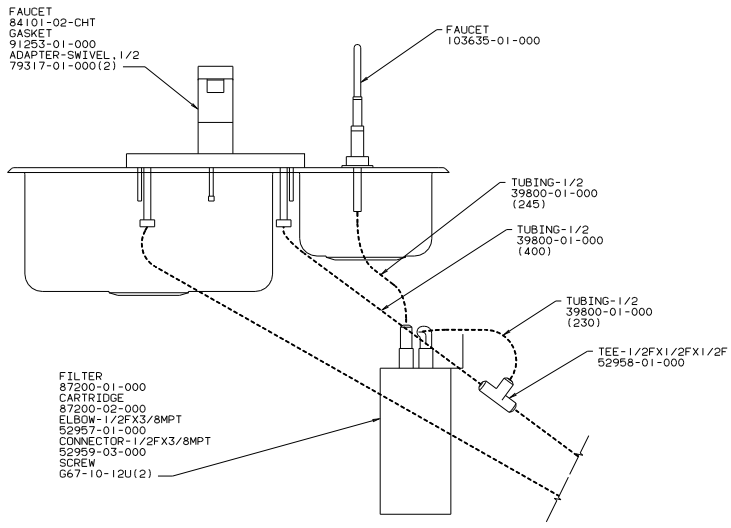
- HOT LINES  
 ----- COLD LINES

WINNAPCO 94 P37RO

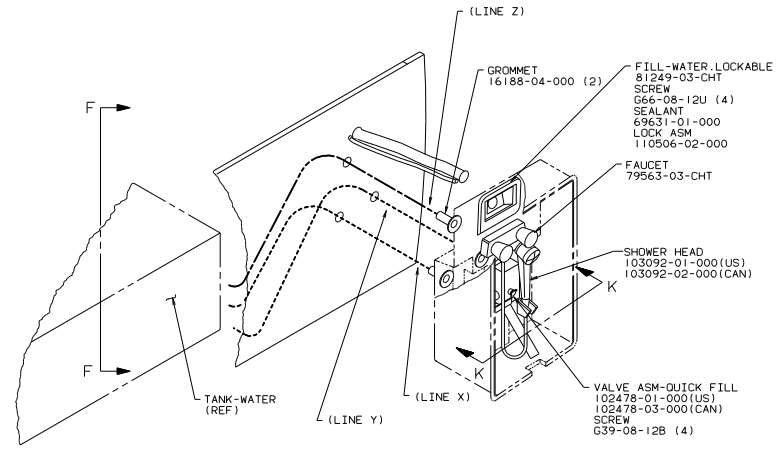
DATE	UNSPECIFIED TOLERANCES ARE:	MATERIAL
CHG	FRAC (1/16)	
REV	DEC (1/32)	
REV	1/8 (1/8)	
REV	1/4 (1/4)	
REV	1/2 (1/2)	
REV	3/4 (3/4)	
REV	1 (1)	
REV	2 (2)	
REV	3 (3)	
REV	4 (4)	
REV	5 (5)	
REV	6 (6)	
REV	7 (7)	
REV	8 (8)	
REV	9 (9)	
REV	10 (10)	

DATE: 11/03/64  
 TITLE: WATER SYSTEM INSTL  
 SHEET 1 OF 3  
 REF: 105425

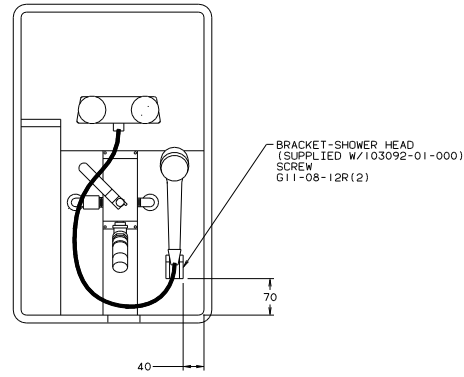




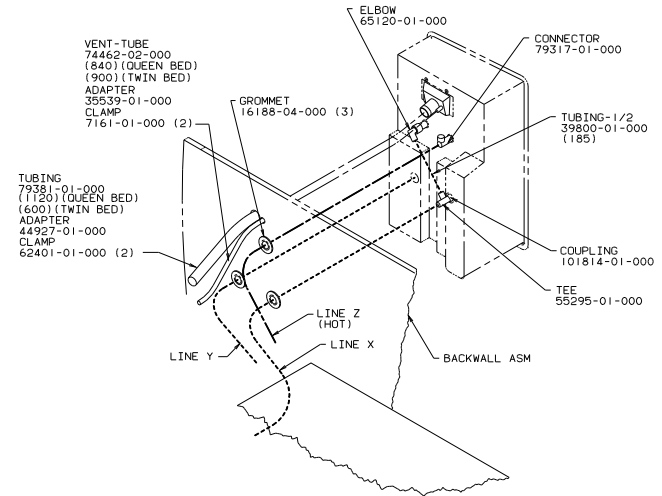
VIEW G-G



VIEW E-E



VIEW K-K



VIEW F-F