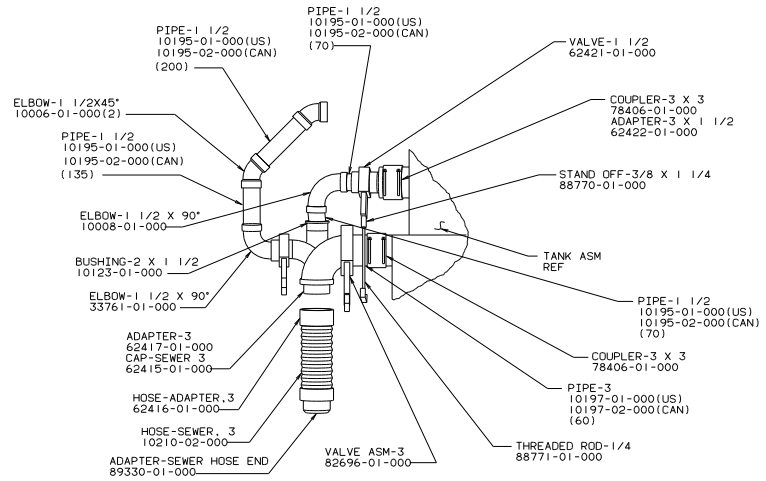


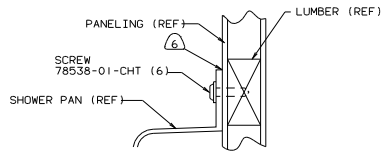
- ① INSULATION TO EXTEND FULL DEPTH OF COMPARTMENTS. SLIT INSULATION TO FIT AROUND TANK SUPPORT ANGLES.
 - ② LOCATE CLAMP ON GALLEY CABINET FOR PROPER SLOPE.
 - ③ SECURE VENT TUBES TO FLOOR.
 - ④ VENT PIPE MUST PROJECT 51MM MIN TO 64MM MAX ABOVE ROOF FOR PROPER FIT AND FUNCTION.
 - ⑤ SEE DWG 61607-01-000 FOR INSTL OF GROMMET.
 - ⑥ SEAL ALL AROUND WITH SILICONE 78474-01-CHT.
5. FOR CANADIAN UNITS EACH HOLDING TANK SHALL HAVE A CSA APPROVAL STAMPED NEAR THE IAPMO APPROVAL.
 4. ALL EXTERIOR OPENINGS AROUND PIPE TO BE SEALED WITH 69637-01-000.
 3. ALL PIPE AND FITTINGS TO BE ASSEMBLED WITH SOLVENT 4020-01-000.
 2. SLOPE OF TRAP MUST BE 6 PER 300 MINIMUM.
 1. SLOPE OF HORIZONTAL PIPING TO BE 6 PER 300 MINIMUM.

WINNEBAGO		92 W/1P33R0
DATE	UNSPECIFIED TOLERANCES ARE:	MATERIAL:
CDWG	FRAC DEC (1:1)	ONE-PLACE (1:1)
FILE	FRAC DEC (1:20)	ONE-PLACE (1:20)
SIZE	ANGLE	ANGLE
CDWG	THIRD ANGLE	PROJECTION
LANDING P33R02		TITLE: DRAINAGE SYSTEM INSTL
NO. OF SHEETS	SCALE: NONE	DO NOT SCALE DIMENSIONS
ALL DIMENSIONS ARE IN MILLIMETERS	SHEET 1 OF 2	DATE: 08/11/10
REF: 102138		105813

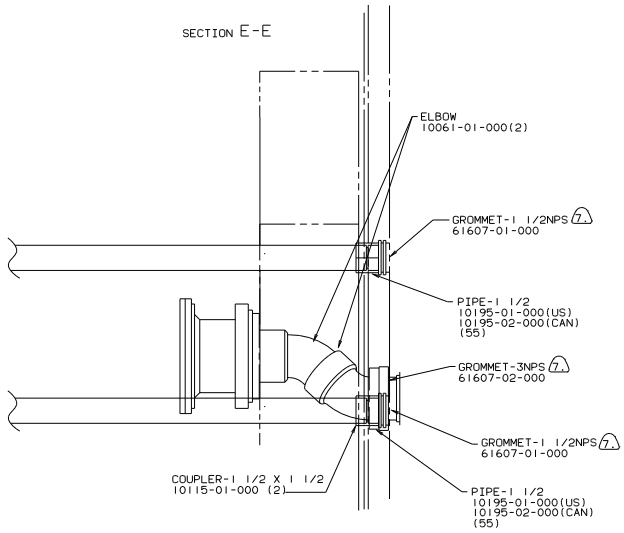
VIEW H-H



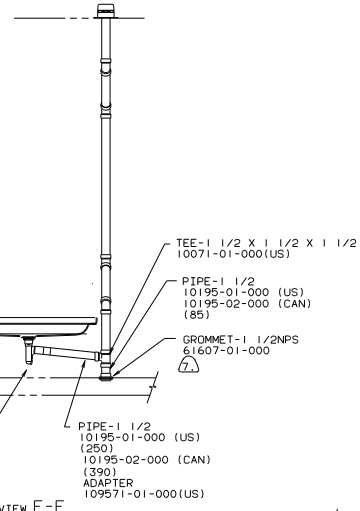
DETAIL A



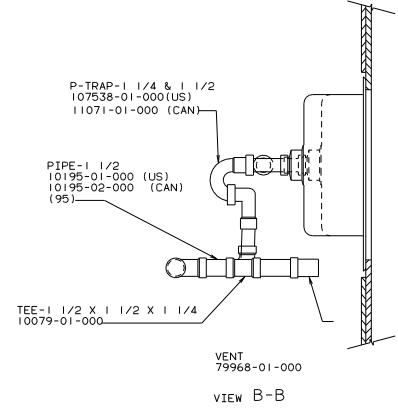
SECTION E-E



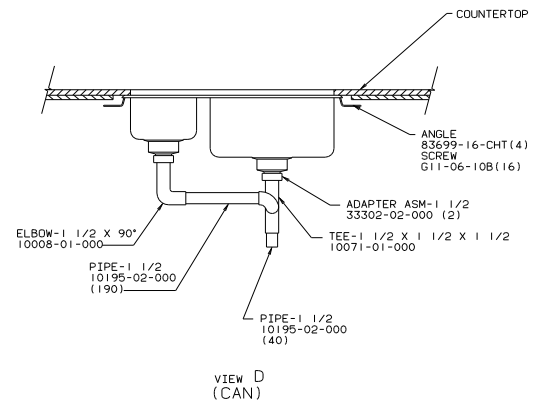
DETAIL C



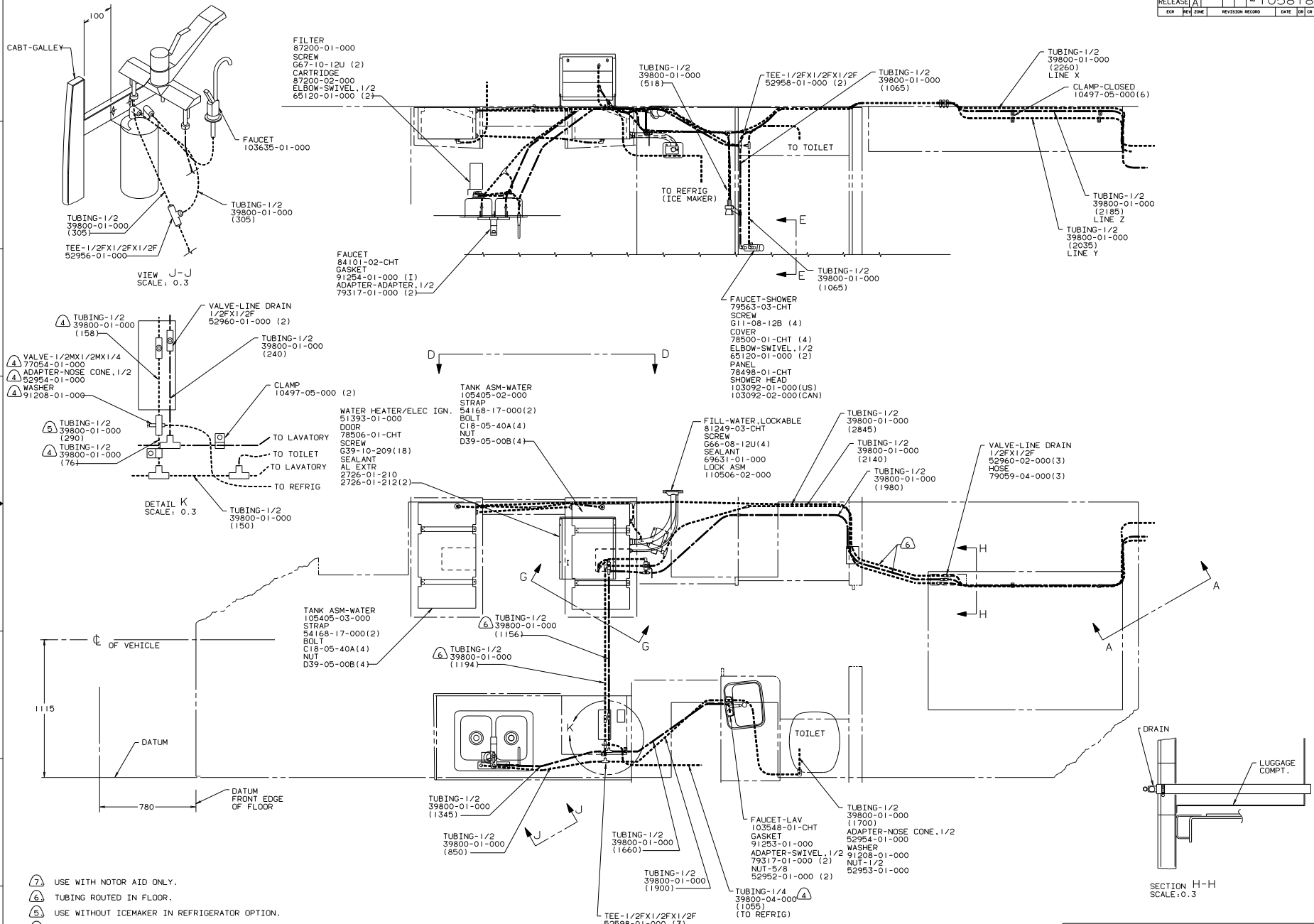
VIEW F-F



VIEW B-B



VIEW D (CAN)



- FILTER 87200-01-000
- SCREW G67-10-12U (2)
- CARTRIDGE 87200-02-000
- ELBOW-SWIVEL 1/2 65120-01-000 (2)

- TUBING-1/2 39800-01-000 (518)
- TEE-1/2FX1/2FX1/2F 52958-01-000 (2)
- TUBING-1/2 39800-01-000 (1065)

- TUBING-1/2 39800-01-000 (2260) LINE X
- CLAMP-CLOSED 10497-05-000 (6)
- TUBING-1/2 39800-01-000 (2185) LINE Z
- TUBING-1/2 39800-01-000 (2035) LINE Y

- VALVE-1/2MX1/2MX1/4 77054-01-000
- ADAPTER-NOSE CONE 1/2 52954-01-000
- WASHER 91208-01-000
- TUBING-1/2 39800-01-000 (158)
- VALVE-LINE DRAIN 1/2FX1/2F 52960-01-000 (2)
- TUBING-1/2 39800-01-000 (240)
- CLAMP 10497-05-000 (2)

- TANK ASM-WATER 105405-02-000
- STRAP 54168-17-000(2)
- BOLT C18-05-40A(4)
- NUT D39-05-00B(4)
- WATER HEATER/ELEC IGN. 54168-17-000(2)
- DOOR 78506-01-000
- C18-05-40A(4)
- SCREW G39-10-209(18)
- SEALANT AL EXTR 2726-01-210
- 2726-01-212(2)

- FAUCET-SHOWER 79563-03-CHT
- SCREW G11-08-12B (4)
- COVER 78500-01-CHT (4)
- ELBOW-SWIVEL 1/2 65120-01-000 (2)
- PANEL 78498-01-CHT
- SHOWER HEAD 103092-01-000(US)
- 103092-02-000(CAN)

- FILL-WATER, LOCKABLE 81249-03-CHT
- SCREW G66-08-12U(4)
- SEALANT 69631-01-000
- LOCK ASM 110506-02-000
- TUBING-1/2 39800-01-000 (2845)
- TUBING-1/2 39800-01-000 (2140)
- TUBING-1/2 39800-01-000 (1980)

- VALVE-LINE DRAIN 1/2FX1/2F 52960-02-000(3)
- WASHER 79059-04-000(3)

- TANK ASM-WATER 105405-03-000
- STRAP 54168-17-000(2)
- BOLT C18-05-40A(4)
- NUT D39-05-00B(4)

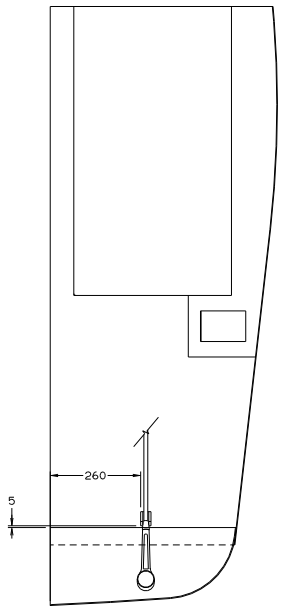
- TUBING-1/2 39800-01-000 (1156)
- TUBING-1/2 39800-01-000 (1194)

- TUBING-1/2 39800-01-000 (1345)
- TUBING-1/2 39800-01-000 (850)
- TUBING-1/2 39800-01-000 (1660)
- TUBING-1/2 39800-01-000 (1900)

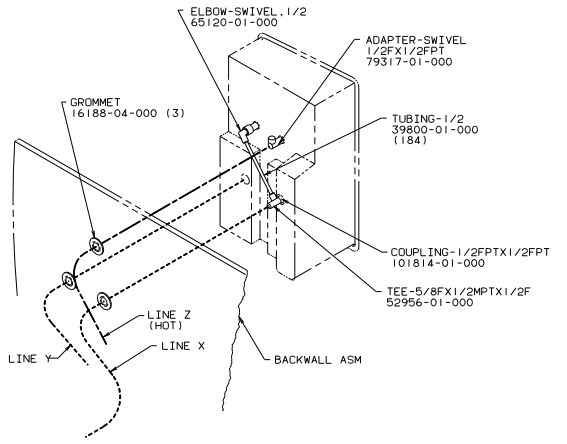
- FAUCET-LAV 103548-01-CHT
- GASKET 91255-01-000
- WASHER 52954-01-000
- ADAPTER-SWIVEL, 1/2 79317-01-000 (2)
- NUT 5/8 52952-01-000 (2)
- TUBING-1/4 39800-04-000 (1055) (TO REFRIG)

- TUBING-1/2 39800-01-000 (1700)
- ADAPTER-NOSE CONE 1/2 52954-01-000
- WASHER 91208-01-000
- NUT-1/2 79317-01-000 (2)
- NUT-1/2 52953-01-000

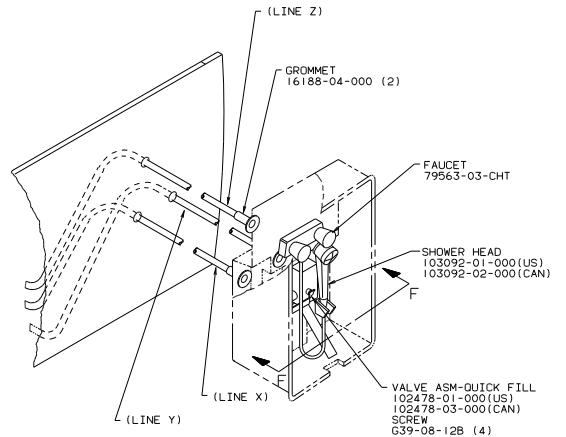
1. PLASTIC FITTINGS TO BE SEALED WITH SEALANT 84456-01-000.
2. TUBING TO BE INSTALLED WITH SUFFICIENT SLOPE TO PROVIDE DRAINAGE TO NEAREST VALVE.
3. ALL TUBING TO BE SECURED AT 1200 INTERVALS MAXIMUM, WITH CLIP 91951-01-000(REF) AND SCREW G13-06-16U(REF).



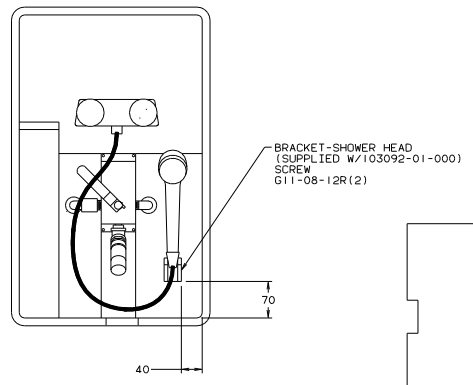
VIEW E-E



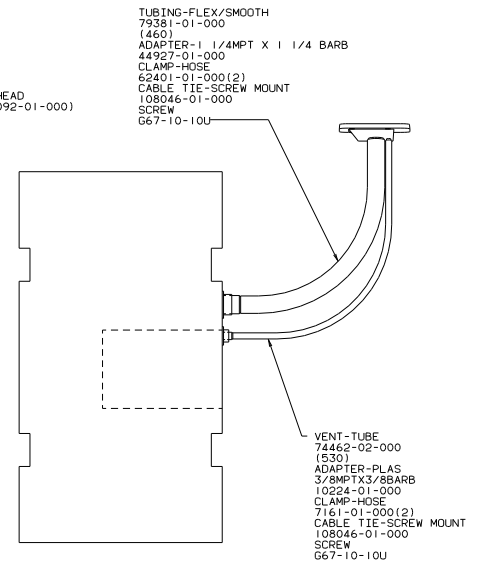
VIEW B-B



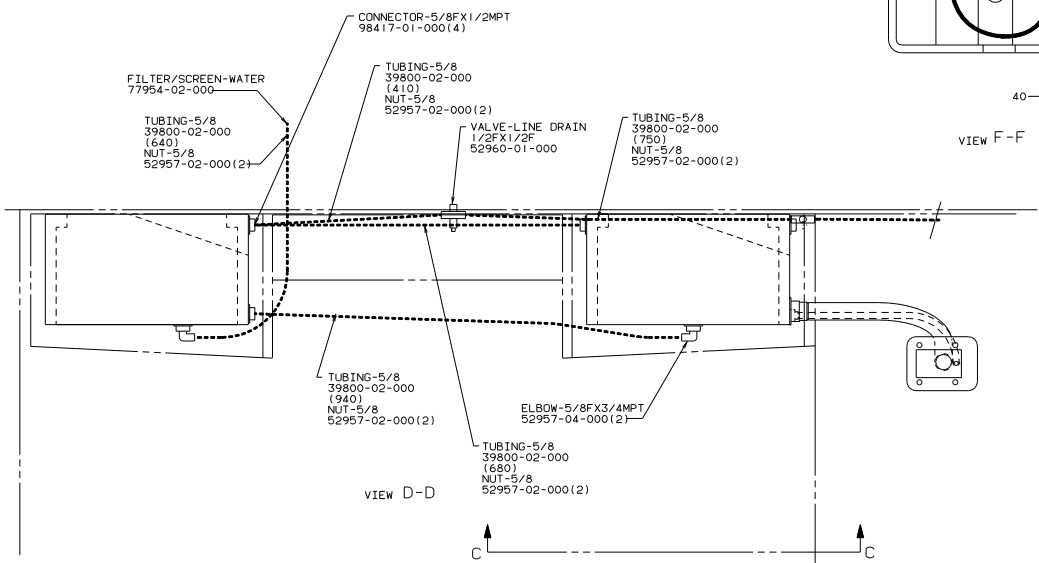
VIEW A-A



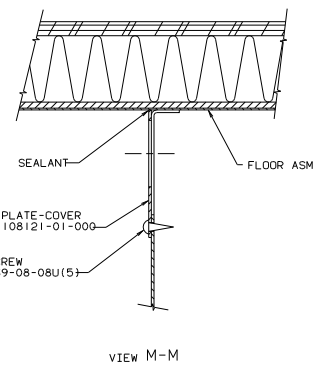
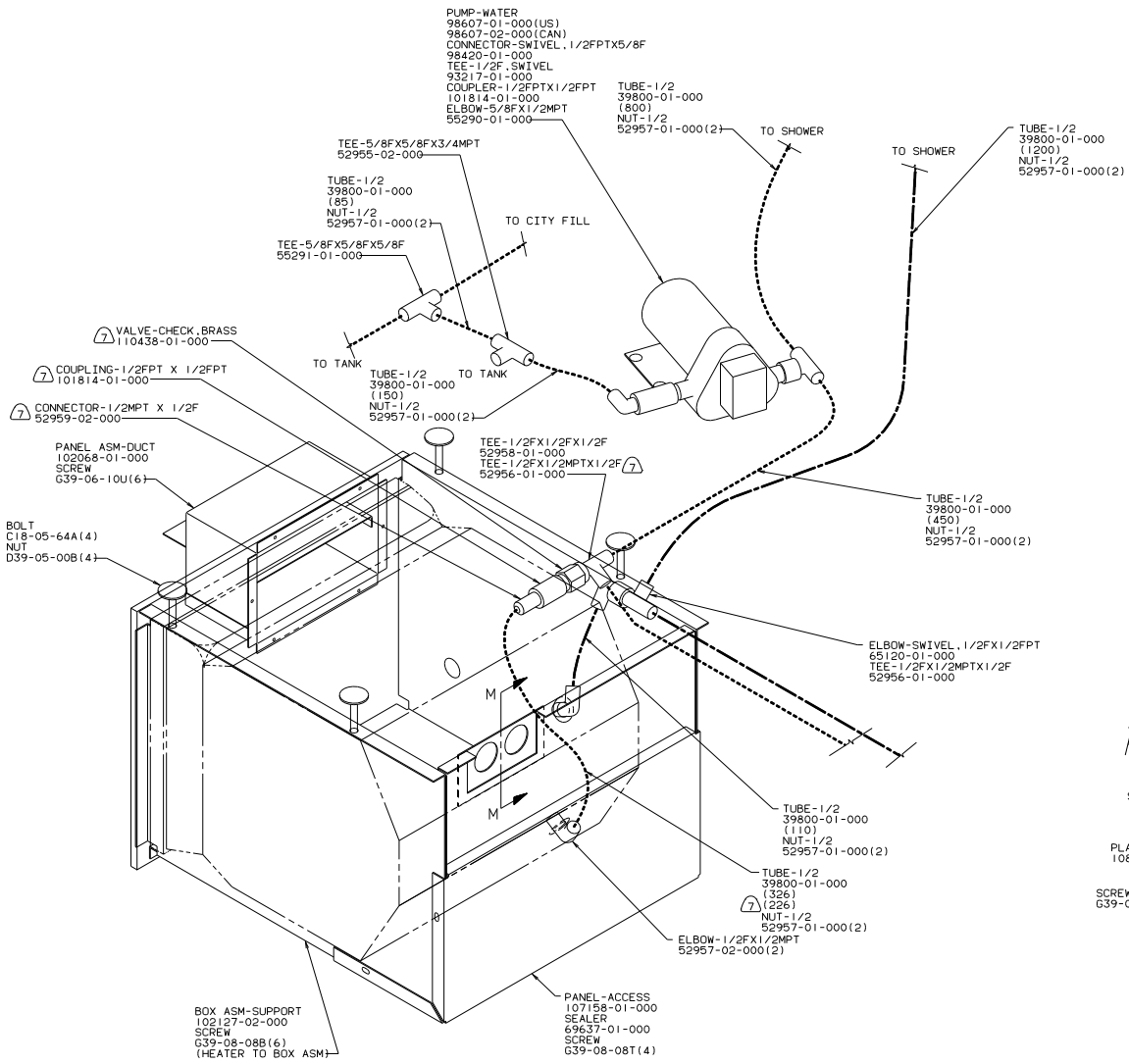
VIEW F-F



VIEW C-C



VIEW D-D

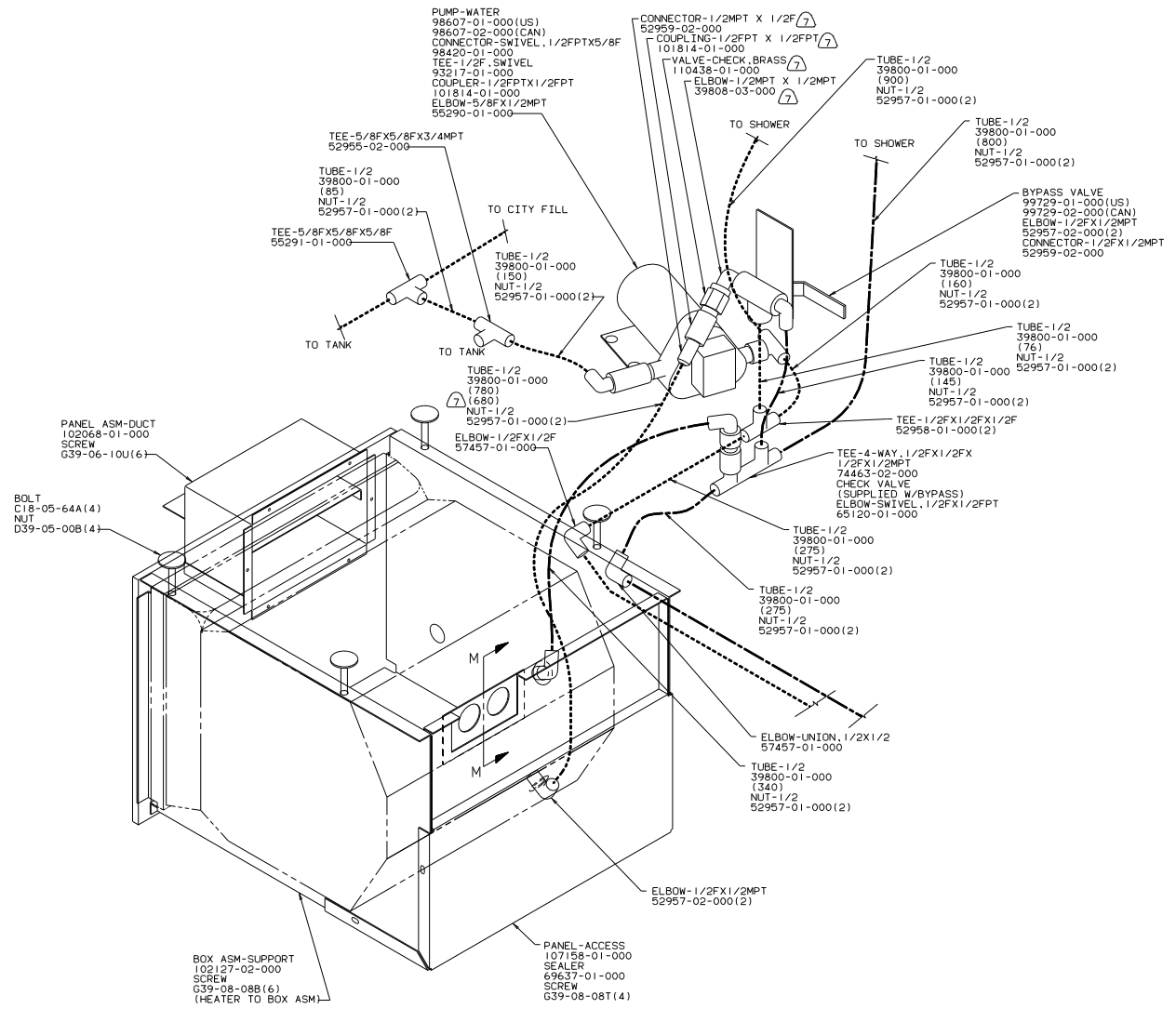


VIEW G-G

VIEW M-M

W/O WATER HEATER BYPASS OPTION
92 P33RQ

TITLE		WATER SYSTEM INSTL	
DO NOT SCALE DRAWING	1/2" = 1'-0"	REV	105818
SHEET 3 of 4	1 of 1		



VIEW G-G

W/ WATER HEATER BYPASS OPTION
92 P33RQ

TITLE		WATER SYSTEM INSTL	
DO NOT SCALE DIMENSIONS	1/2" = 1'	REV	105818
SHEET #	OF #	DATE	