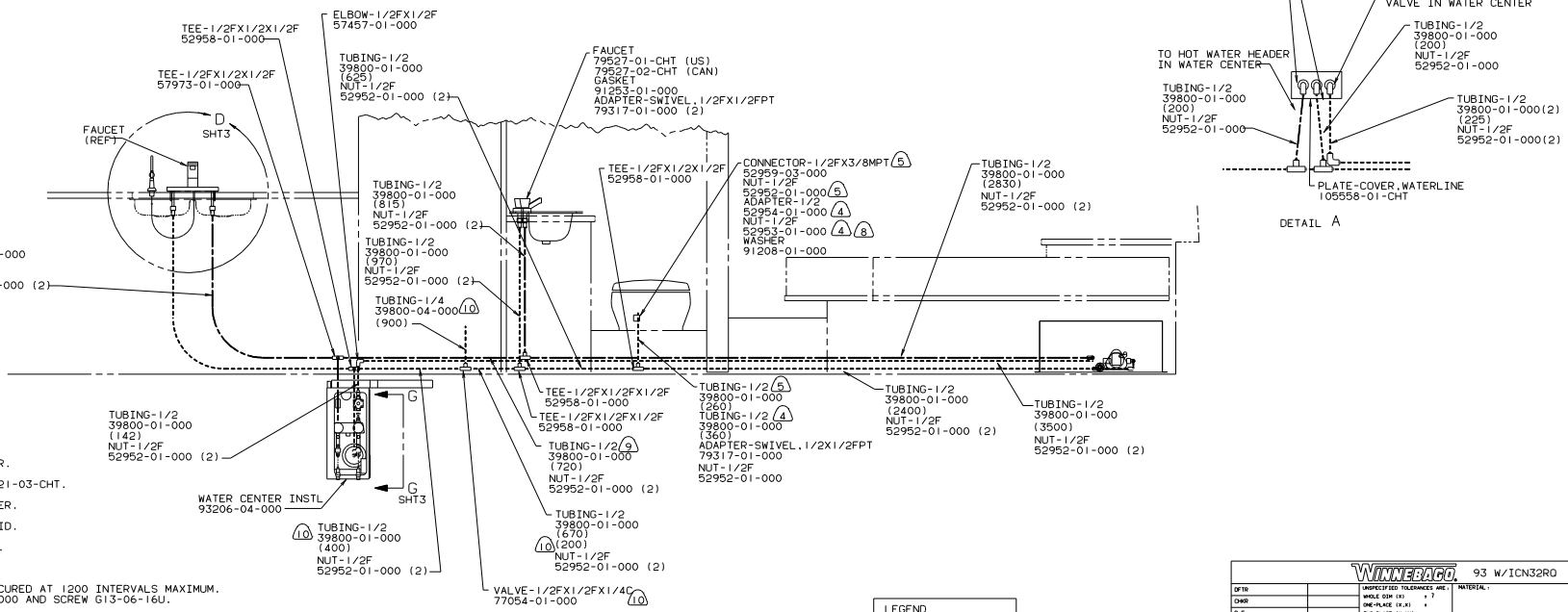
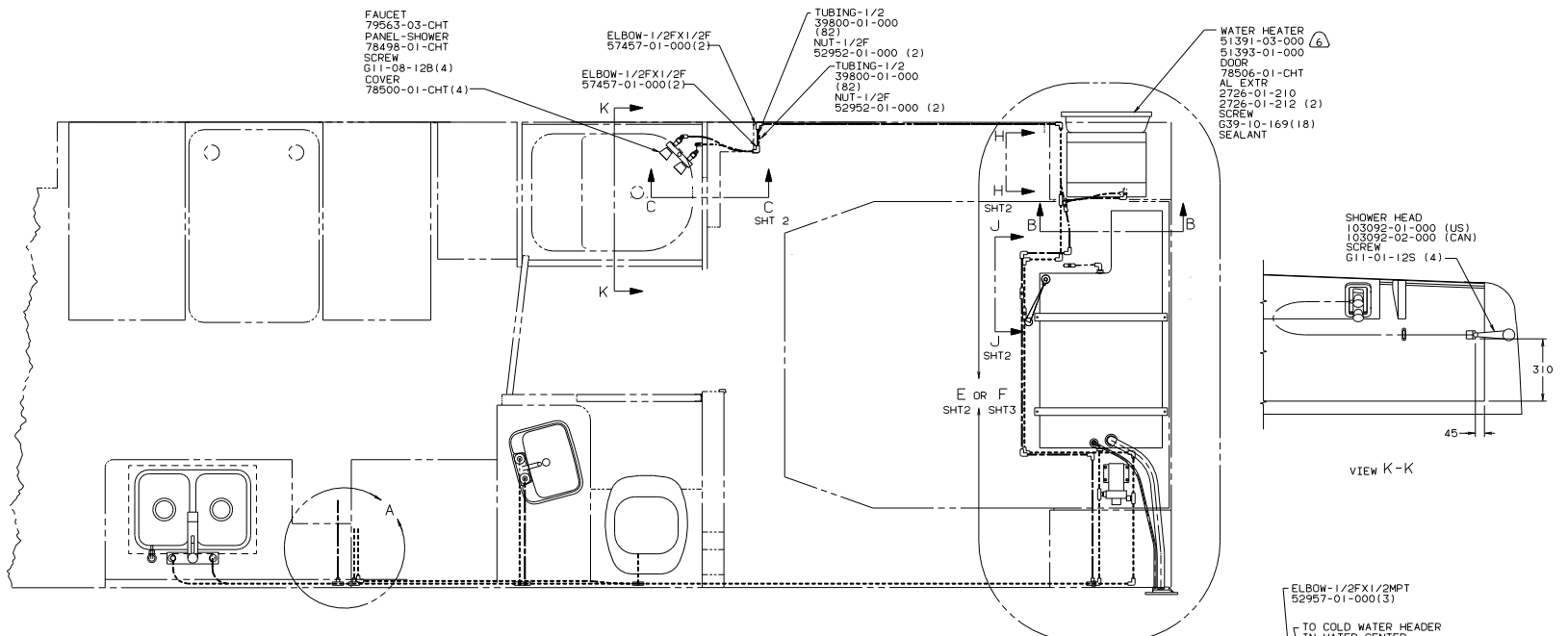


11. ALL EXTERIOR OPENINGS AROUND PIPE TO BE SEALED.
10. SEE DRAWING 93128-02-000 FOR TANK INSTL.
9. DIMENSION IS FROM CENTERLINE OF PIPE TO CENTERLINE OF FRONT AXLE.
8. SECURE VENT TUBES TO FLOOR.
7. VENT PIPE MUST PROJECT 51 MM MIN TO 64 MM MAX ABOVE ROOF FOR PROPER FIT AND FUNCTION.
6. SEE DWG 61607-01-000 FOR INSTL OF GROMMET.
5. SEAL ALL AROUND SHOWER WITH SILICON 78474-01-CHT.
4. FOR CANADIAN UNITS EACH HOLDING TANK SHALL HAVE A CSA APPROVAL STAMPED NEAR IAPMO APPROVAL.
3. ALL PIPE AND FITTING TO BE ASSEMBLED WITH SOLVENT 4020-01-000.
2. SLOPE OF TRAP MUST BE 6 PER 300 MINIMUM.
1. SLOPE OF HORIZONTAL PIPING TO BE 6 PER 300 MINIMUM.

WINNEBAGO 93 W/ICN32R0

| | |
|------|-------------------------------------|
| DATE | UNAPPROVED TOLERANCES ARE MATERIAL. |
| CHG# | WALL DIM IN 1/8" |
| P/E | ONE-PLACE IN 1/16" |
| P/E | TWO-PLACE IN 1/32" |
| DATE | THIRD WAVE PROTECTION |

LAPTOP N32R03 TITLE: DRAINAGE SYSTEM INSTL
 DR # SCALE: NONE DO NOT SCALE DIMENSIONS SHEET 1 OF 1
 ALL DIMENSIONS ARE IN MILLIMETRES REF: 104160 108073



- ⑩ USE WITH ICEMAKER.
- ⑨ USE WITHOUT ICEMAKER.
- ⑧ USE WITH TOILET 85321-03-CHT.
- ⑦ USE WITH WATER FILTER.
- ⑥ USE WITHOUT MOTOR AID.
- ⑤ USE WITH AQUA MAGIC.
- ④ USE WITH AQUA IV.

3. ALL TUBING TO BE SECURED AT 1200 INTERVALS MAXIMUM. WITH CLIP 91951-01-000 AND SCREW G13-06-16U.
2. TUBING TO BE INSTALLED WITH SUFFICIENT SLOPE TO PROVIDE DRAINAGE TO NEAREST VALVE.
1. PLASTIC FITTINGS TO BE SEALED WITH SEALANT 84456-01-000.

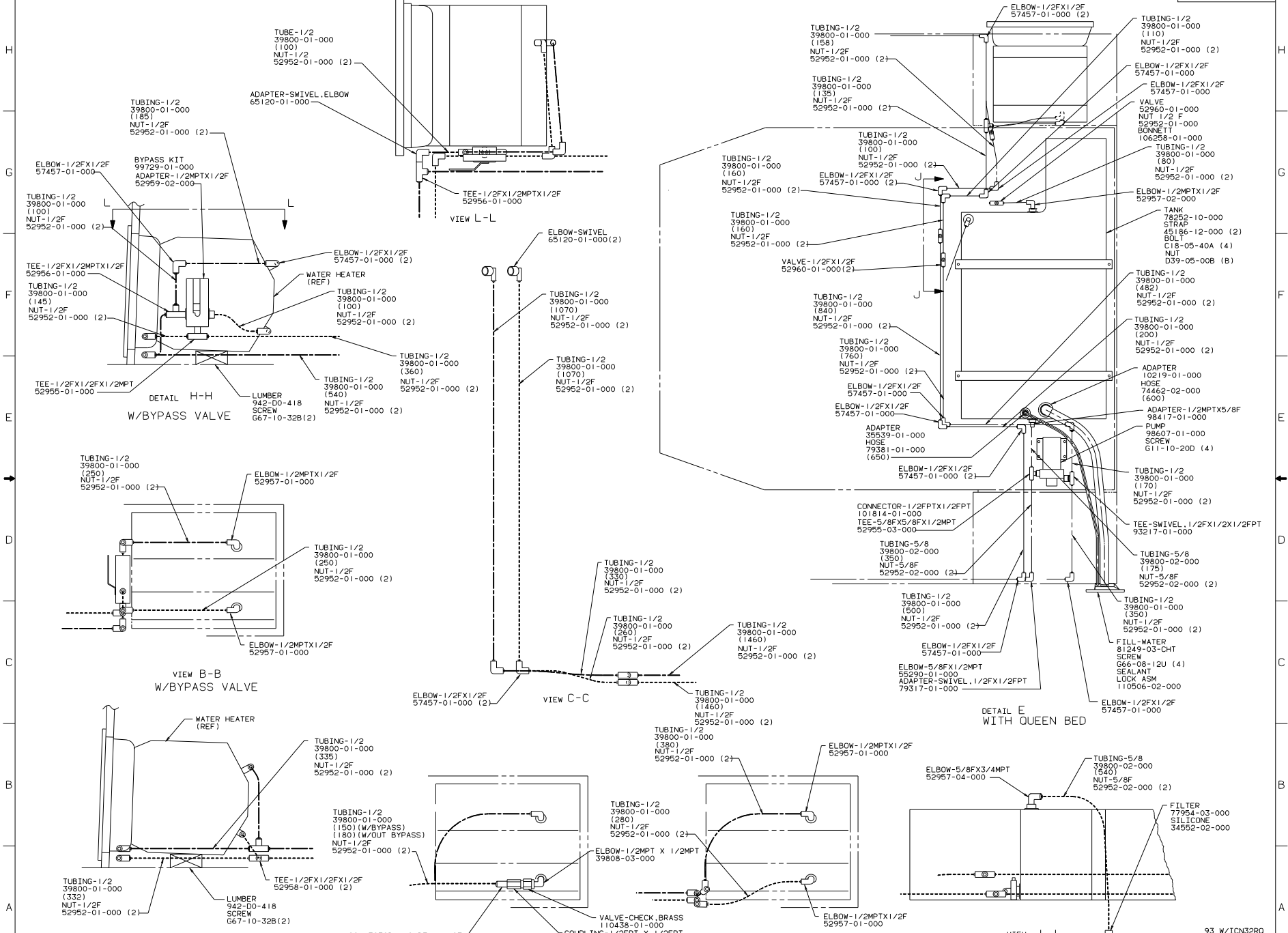
LEGEND

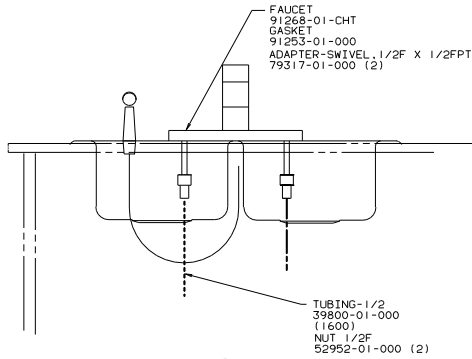
| | |
|------|-------|
| HOT | ————— |
| COLD | ----- |

WINNEMAGO 93 W/1CN32R0

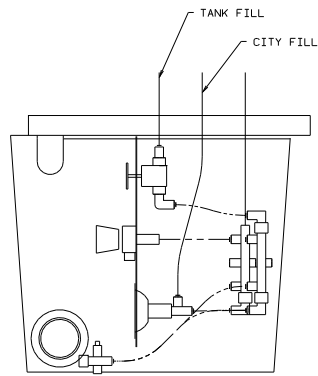
| | | |
|--------|-----------------------------|----------|
| DATE | UNSPECIFIED TOLERANCES ARE: | MATERIAL |
| CHDR | WHOLE DIM (IN) | 1:1 |
| F.P.E. | ONE-PLACE (IN.XI) | |
| F.T.E. | TWO-PLACE (IN.XXX) | |
| CDR | ANGLE | |
| | THIRD ANGLE PROJECTION | |

LANO# N32R01 TITLE: WATER SYSTEM INSTL
 DIA # SCALE: NONE 30 NET SCALE DRAWING SIZE: 11x17
 ALL DIMENSIONS ARE IN MILLIMETERS SHEET 1 OF 3
 REF: 104680 108174

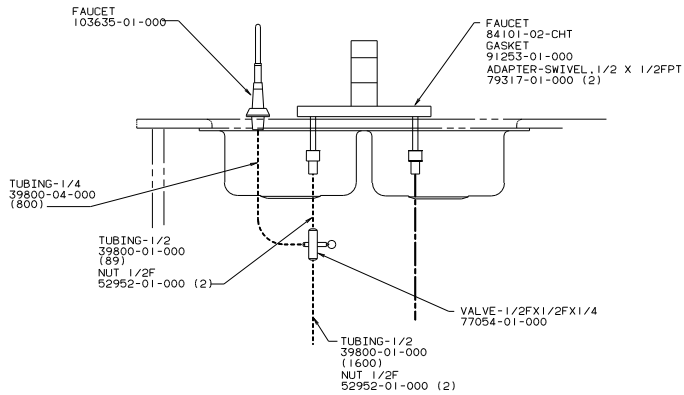




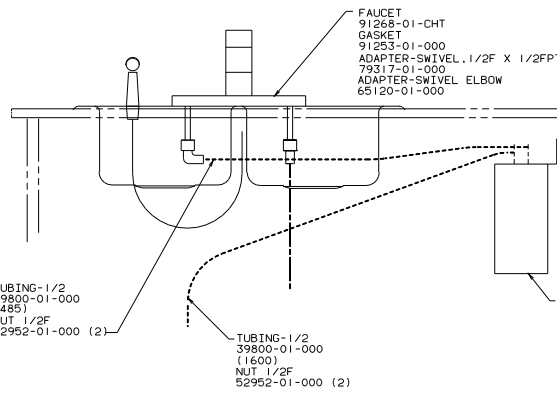
DETAIL D
SPRAYER W/OUT PURIFIER



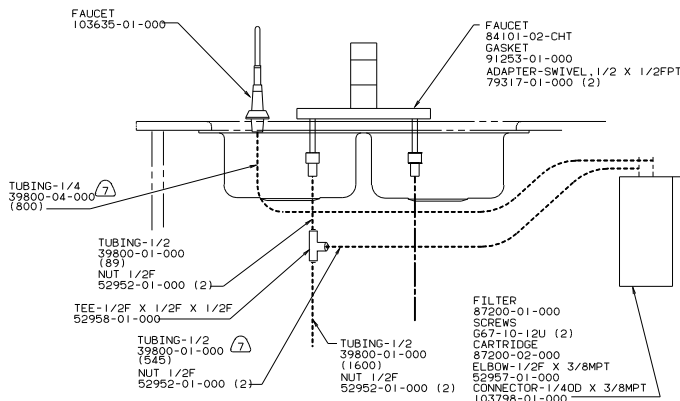
VIEW G-G



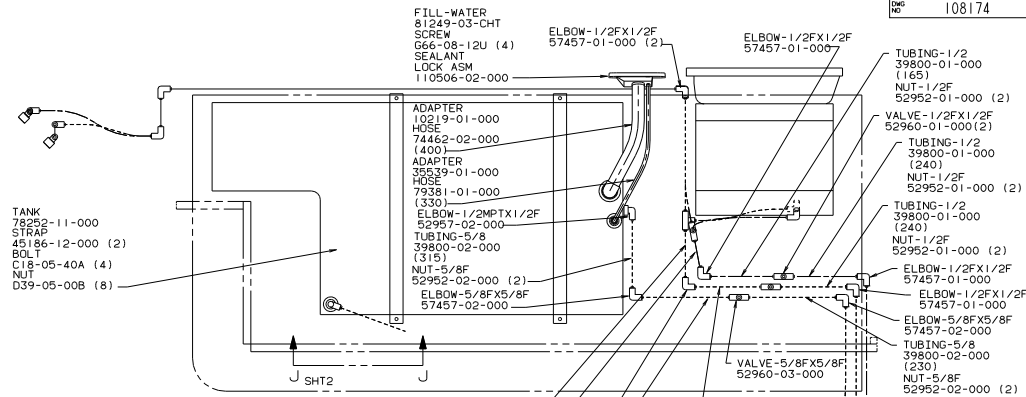
DETAIL D
SPIGOT W/OUT PURIFIER



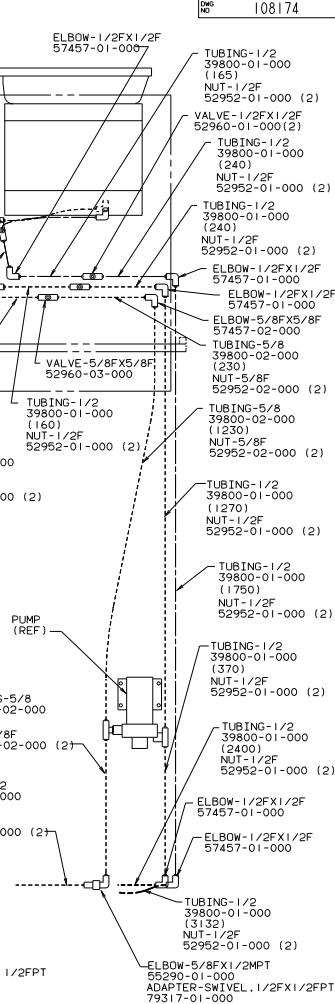
DETAIL D
SPRAYER W/PURIFIER



DETAIL D
SPIGOT W/PURIFIER



DETAIL F
WITH TWIN BED



| TITLE: WATER SYSTEM INSTL | | | |
|---------------------------|-----|------|----|
| NO | REV | DATE | BY |
| 3 | 3 | | |
| 1 | 1 | | |

93 W/ICN32R0

108174