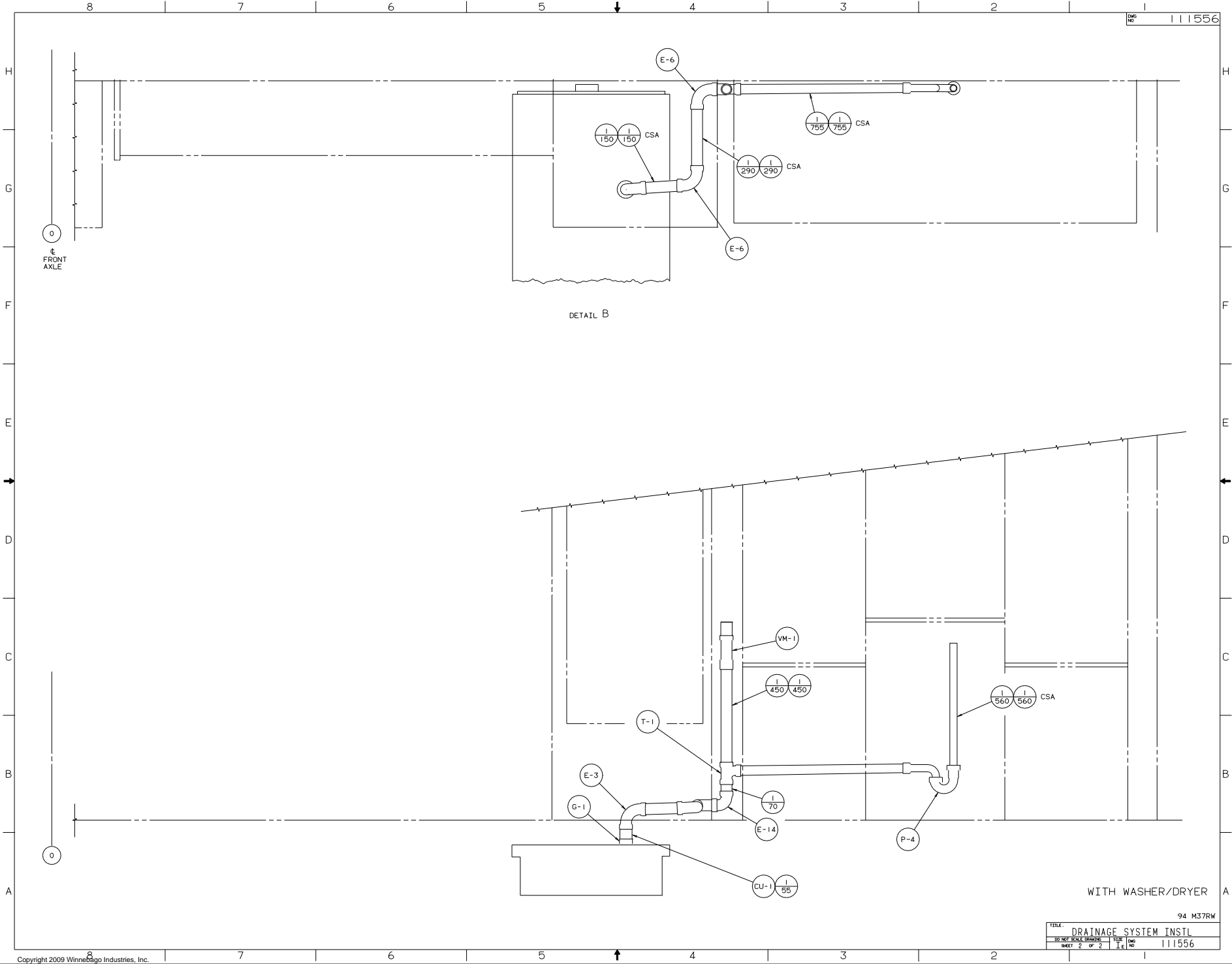


- 9. OPTIONAL TOILET.
- 8. USE WITH DISHWASHER ONLY.
- 7. VENT PIPE MUST BE PROJECTED 51 TO 64 MAXIMUM ABOVE ROOF FOR PROPER FIT AND FUNCTION.
- 6. SEE DRAWING 61607-01-000 FOR INSTALLATION OF GROMMET.
- 5. SEAL ALL AROUND SHOWER WITH SILICONE 78474-01-CHT.
- 4. FOR CANADIAN UNITS EACH HOLDING TANK SHALL HAVE A CSA APPROVAL STAMPED NEAR IAPMO APPROVAL.
- 3. ALL PIPE AND FITTINGS TO BE ASSEMBLED WITH SOLVENT 4020-01-000.
- 2. SLOPE OF TRAP MUST BE 6 PER 300 MINIMUM.
- 1. SLOPE OF HORIZONTAL PIPING TO BE 6 PER 300 MINIMUM.

(X-X)  
 FOR DRAINAGE CALLOUTS SEE DWG NO. 116229-01-000

WINNIEGAG		94 M37RW
DATE: M37RW3	REV: 2	NO: 111556
DWG NO: 116229-01-000	TITLE: DRAINAGE SYSTEM INSTL	



DETAIL B

WITH WASHER/DRYER

94 M37RW

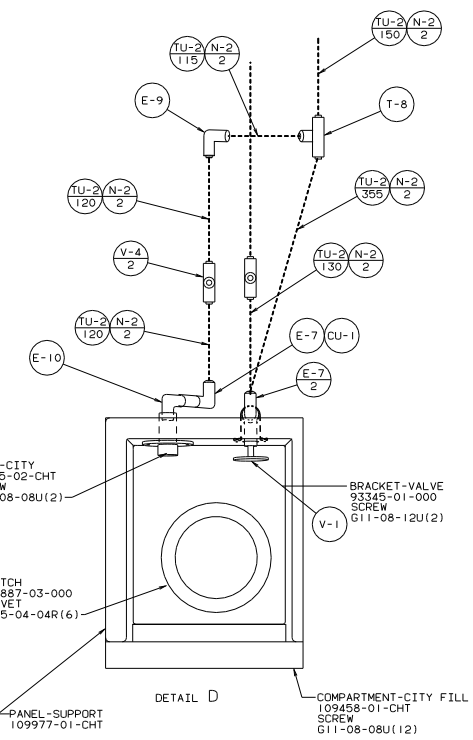
TITLE: DRAINAGE SYSTEM INSIL

30 NET SCALE DRAWING FILE NO 111556

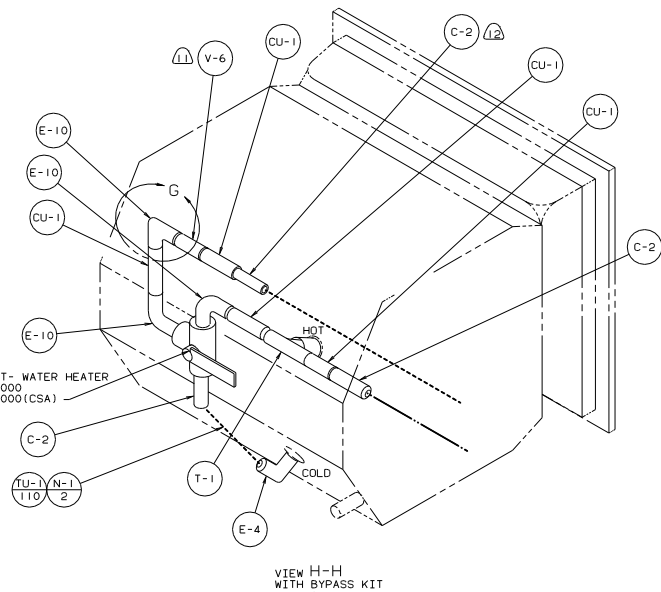
SHEET 2 OF 2 DATE



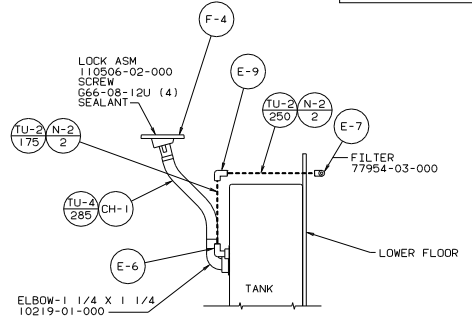
DETAIL G  
(REFRIGERATOR W/ICE MAKER)



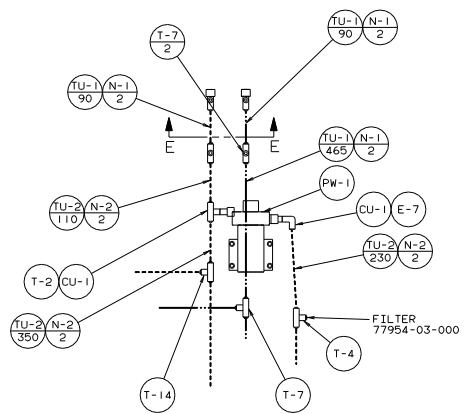
BYPASS KIT- WATER HEATER  
99729-01-000  
99729-02-000 (CSA)



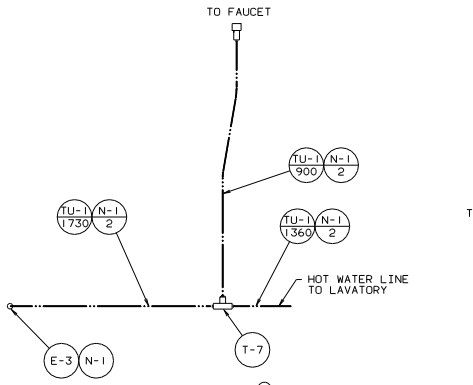
VIEW H-H  
WITH BYPASS KIT



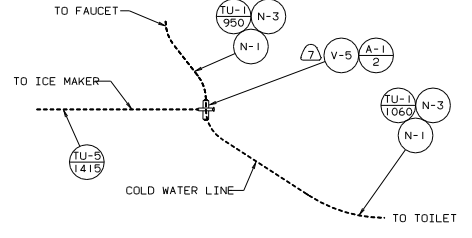
VIEW A-A



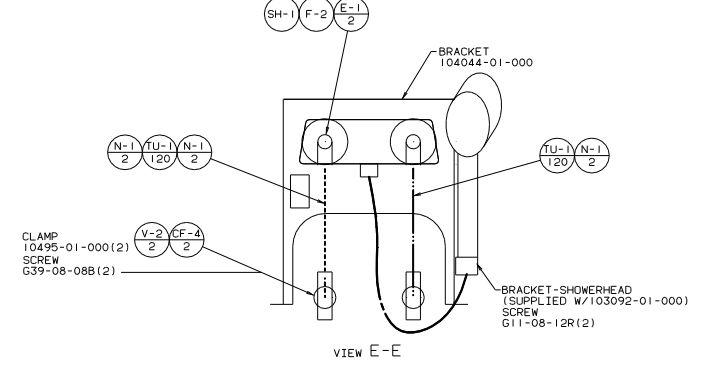
DETAIL C



VIEW F-F (DISHWASHER OPTION)



VIEW K-K (ICE MAKER APPLIANCE)



VIEW E-E