

SINK
 110654-01-000
 STRAINER W/BASKET
 92303-01-000(2)
 SEAL
 69640-01-000
 RETAINER
 105497-01-000(2)
 105497-02-000(4)
 SCREW
 G67-06-10U(22)

BRACKET
 110756-01-000(2)

TANK-HOLDING
 104352-09-000
 PLATFORM ASM
 105193-01-XXX
 105193-02-XXX

SINK-LAVATORY
 105921-01-CHT
 SEALER
 69640-01-000
 STRAINER
 106116-01-CHT

TANK-HOLDING
 104351-06-000
 PLATFORM ASM
 105193-05-XXX
 105193-06-XXX

FLOOR-UPPER

BRACKET
 94756-03-XXX
 SCREW
 D39-10-12D(3)

NUT
 D39-05-00B(2)
 BRACKET-SUPPORT
 111316-01-000

FRONT AXLE

FRONT AXLE

- (9) OPTIONAL TOILET.
 - (8) SECURE VENT TUBES TO FLOOR.
 - (7) VENT PIPE MUST BE PROJECTED 51 TO 64 MAXIMUM ABOVE ROOF FOR PROPER FIT AND FUNCTION.
 - (6) SEE DRAWING 61607-01-000 FOR INSTALLATION OF GROMMET.
5. SEAL ALL AROUND SHOWER WITH SILICONE 78474-01-CHT.
 4. FOR CANADIAN UNITS EACH HOLDING TANK SHALL HAVE A CSA APPROVAL STAMPED NEAR IAPMO APPROVAL.
 3. ALL PIPE AND FITTINGS TO BE ASSEMBLED WITH SOLVENT 4020-01-000.
 2. SLOPE OF TRAP MUST BE 6 PER 300 MINIMUM.
 1. SLOPE OF HORIZONTAL PIPING TO BE 6 PER 300 MINIMUM.

(X-X) FOR DRAINAGE CALLOUTS SEE DWG NO. 116229-01-000

WINNEBAGO		94 M35RQ
DATE	UNSPECIFIED TOLERANCES ARE	MATERIAL
CHP	WHILE SHOWN	3
P/E	ONE-PLACE OR 21	
M/E	TWO-PLACE OR 2001	
W/E	AS SHOWN	
CDR	SHOWN UNLESS OTHERWISE NOTED	
LAYOUT M35R03	TITLE: DRAINAGE SYSTEM INSTL	
ED #	SCALE	DATE
NO	DO NOT SCALE DIMENSIONS	REV
ALL DIMENSIONS ARE IN MILLIMETERS	SHEET 1 OF 2	NO 111815

FRONT AXLE

C

C

TANK

DETAIL B

40 C-3 55

E-6

170

E-15

VM-1

330

440

T-1

100

G-1

765

P-4

30

E-6

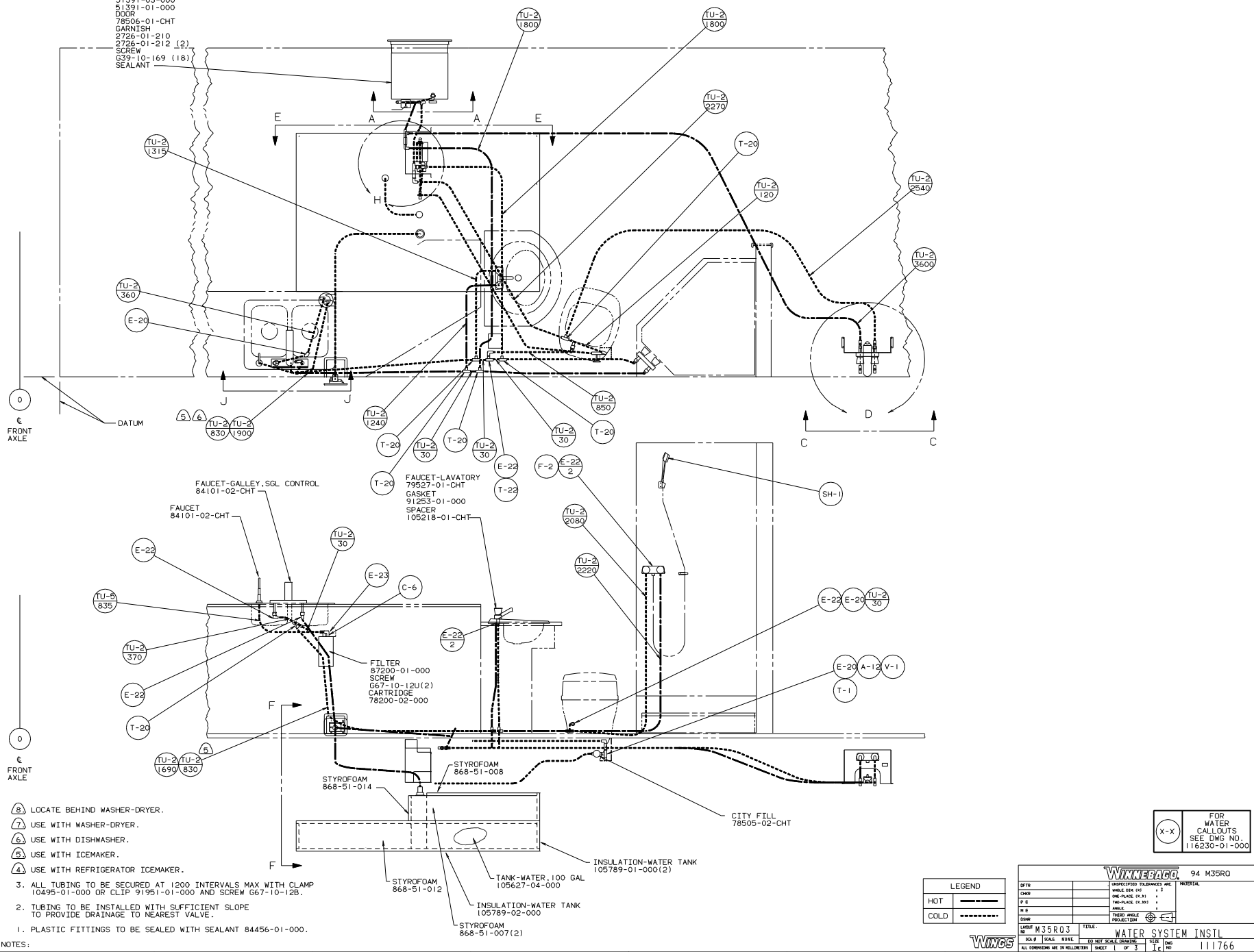
WITH WASHER/DRYER

94 M37RW

VIEW C-C

TITLE: DRAINAGE SYSTEM INSTL		DATE: 11/11/09	
30 NET SCALE DRAWING	FILE NO: 111815	2 OF 2	1 E

WATER HEATER
 51391-03-000
 51391-01-000
 DOOR
 78506-01-CHT
 GARNISH
 2726-01-210
 2726-01-212 (2)
 SCREW
 G39-10-169 (18)
 SEALANT



- Ⓐ LOCATE BEHIND WASHER-DRYER.
- Ⓑ USE WITH WASHER-DRYER.
- Ⓒ USE WITH DISHWASHER.
- Ⓓ USE WITH ICEMAKER.
- Ⓔ USE WITH REFRIGERATOR ICEMAKER.

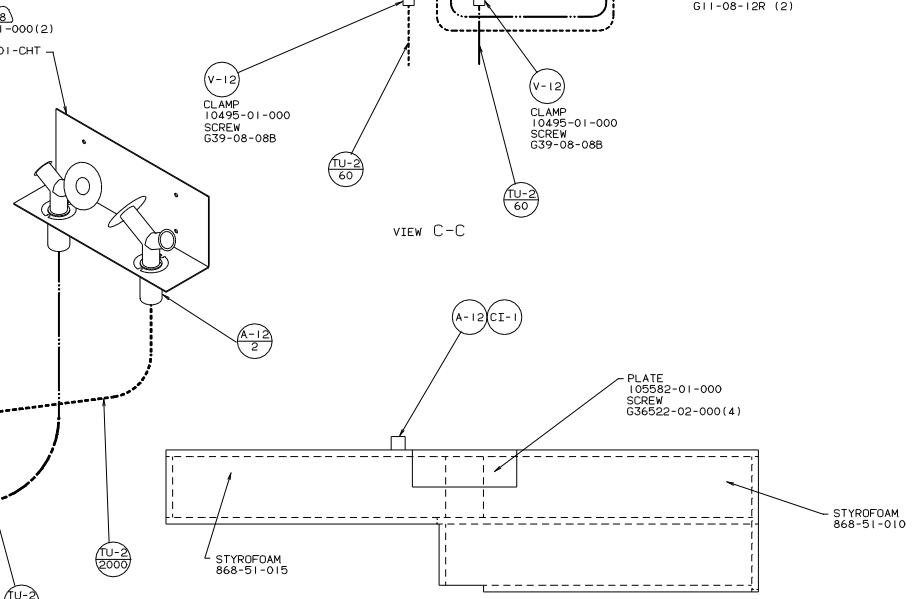
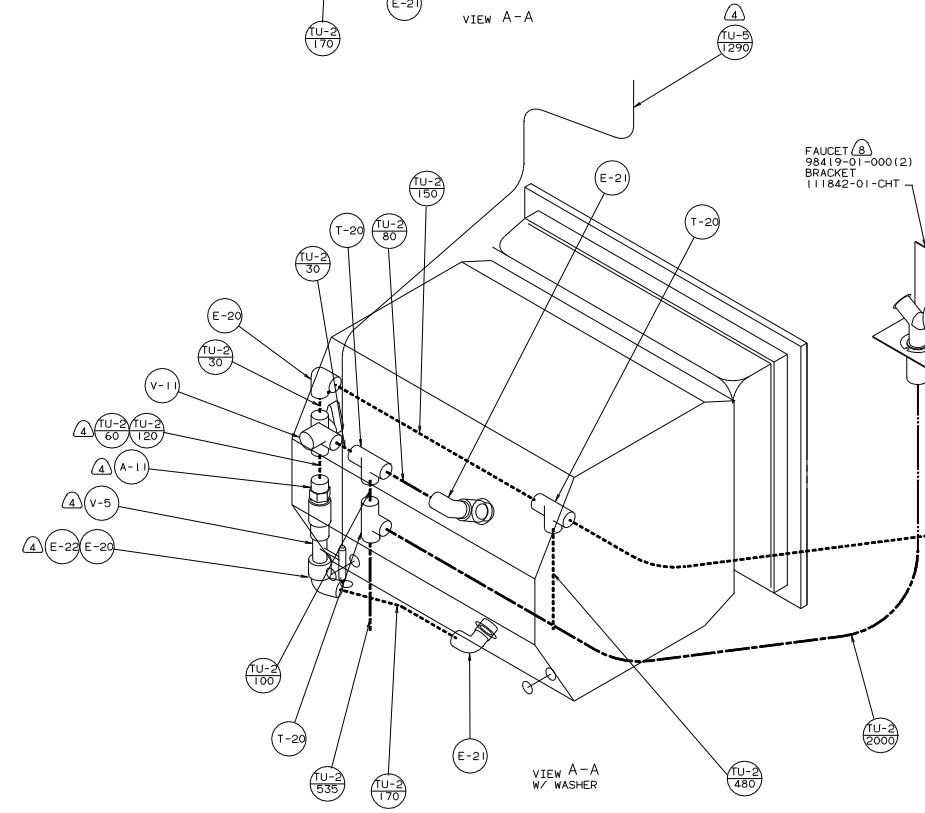
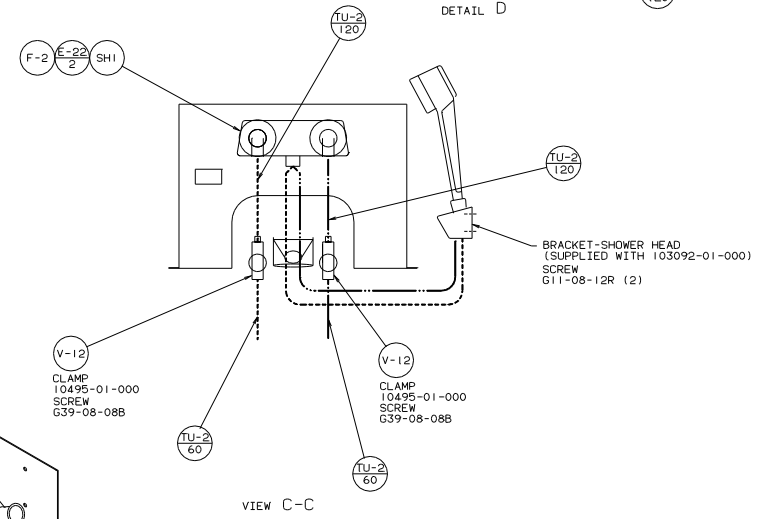
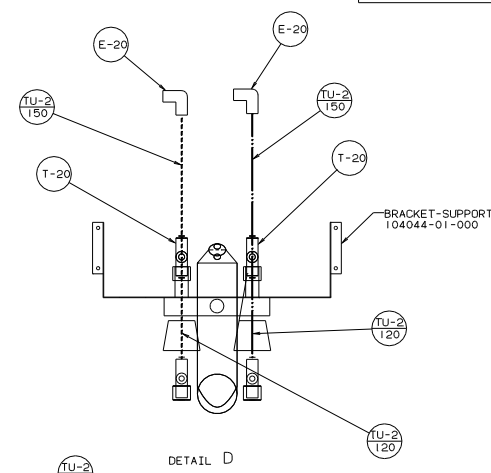
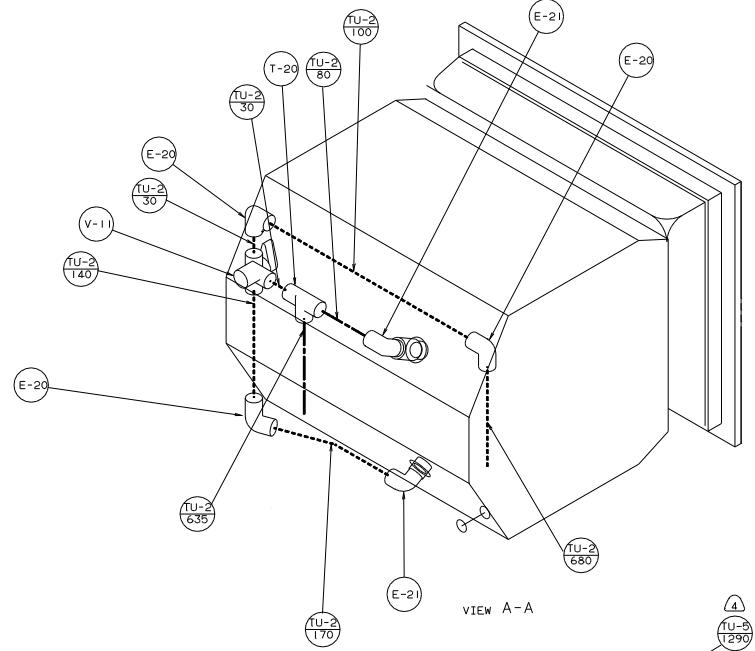
3. ALL TUBING TO BE SECURED AT 1200 INTERVALS MAX WITH CLAMP 10495-01-000 OR CLIP 91951-01-000 AND SCREW G67-10-12B.
2. TUBING TO BE INSTALLED WITH SUFFICIENT SLOPE TO PROVIDE DRAINAGE TO NEAREST VALVE.
1. PLASTIC FITTINGS TO BE SEALED WITH SEALANT 84456-01-000.

NOTES:

(X-X) FOR WATER CALLOUTS SEE DWG NO 116230-01-000

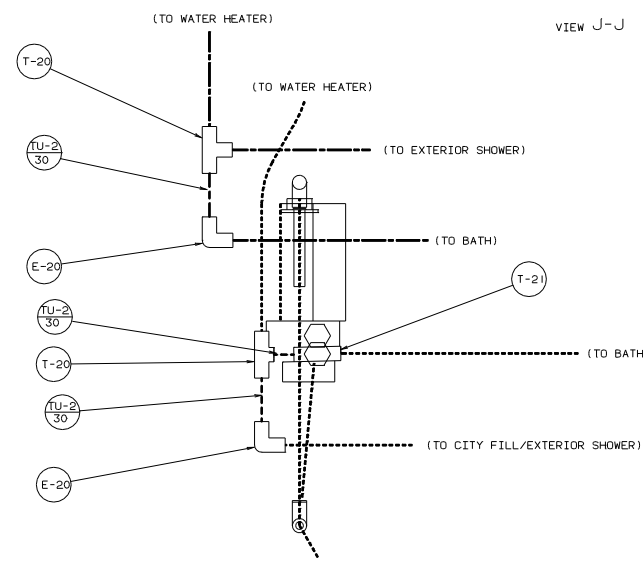
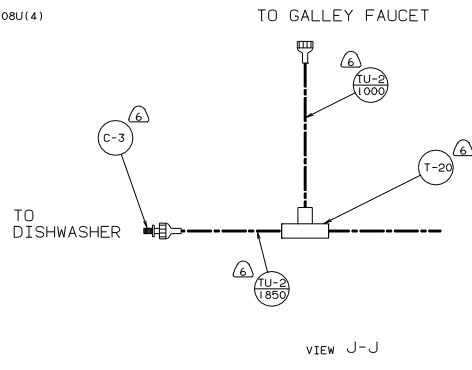
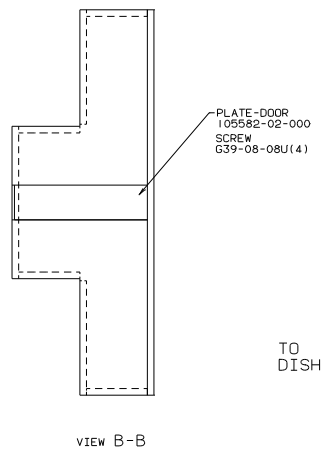
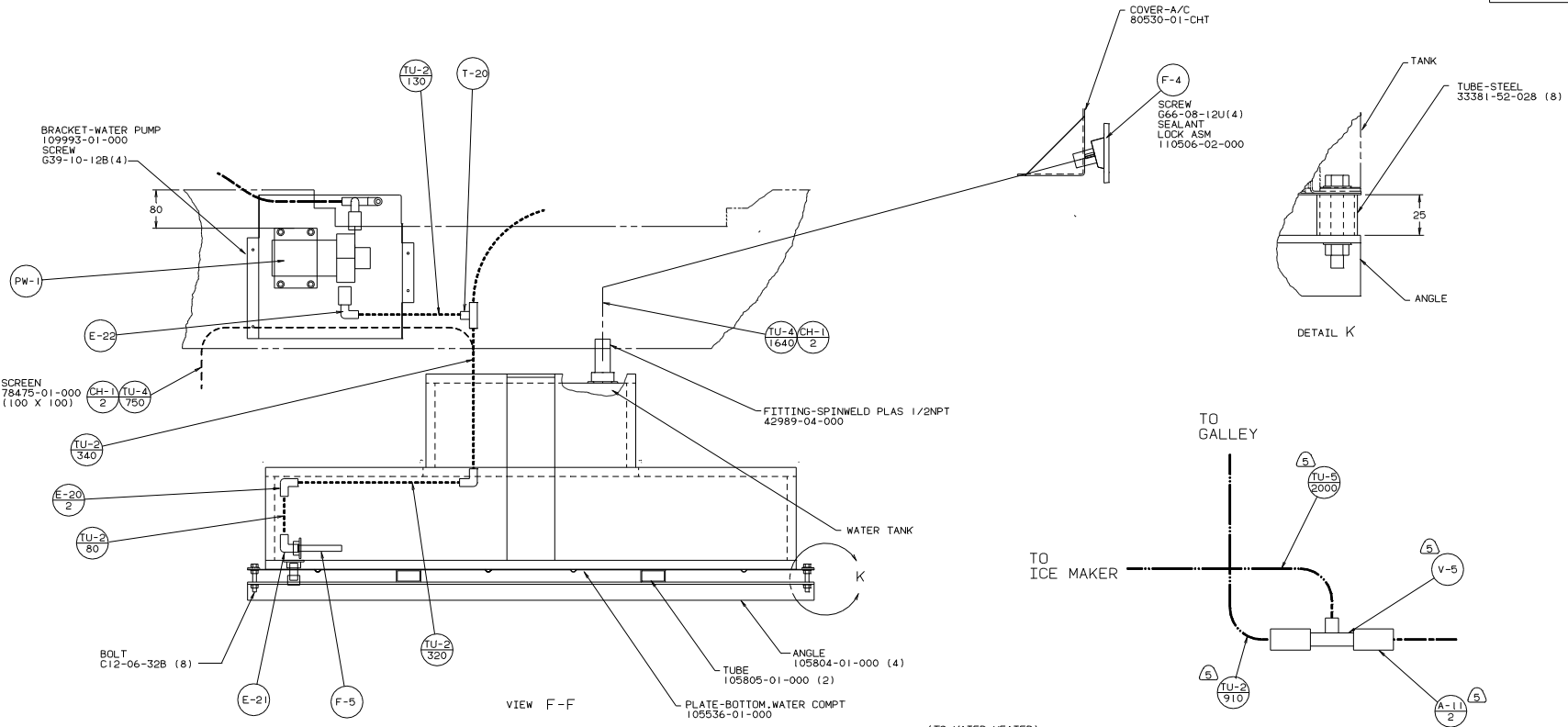
LEGEND	
HOT	—————
COLD	-----

		94 M35R0
OPTN CHRP TFE TFE CONR	UNSPECIFIED TOLERANCES ARE: HOLE DIA. 1/16" ± .005 HOLE-PLUG DIA. .01" ± .001 HOLE-PLUG DIA. .001" ± .001 HOLE-PLUG DIA. .001" ± .001 TUBING WALL THICKNESS TUBING WALL THICKNESS	MATERIAL SEE DWG NO 116230-01-000
PART NO M35R03 REV 1 ALL DIMENSIONS ARE IN MILLIMETERS		TITLE: WATER SYSTEM INSTL SHEET 1 OF 3 DATE 11/17/66



94 M35RQ

TITLE		WATER SYSTEM INSTL	
30 NET SCALE DRAWING	SIZE	DATE	111766
SHEET 2 OF 3	1 E		



TITLE: WATER SYSTEM INSTL	
30 NET SCALE DRAWING	SIZE 11E
SHEET 3 OF 3	111766