

10. ALL EXTERIOR OPENINGS AROUND PIPE TO BE SEALED WITH 69637-01-000.
 9. EXPOSED PIPE ABOVE ROOF TO BE PAINTED 37163-01-000.
 8. SECURE VENT TUBE TO FLOOR.
 7. VENT PIPE MUST BE PROJECTED 51 TO 64 MAXIMUM ABOVE ROOF FOR PROPER FIT AND FUNCTION.
 6. SEE DRAWING 61607-01-000 FOR INSTALLATION OF GROMMET.
 5. SEAL ALL AROUND SHOWER WITH SILICONE 78474-01-CHT.
 4. FOR CANADIAN UNITS EACH HOLDING TANK SHALL HAVE A CSA APPROVAL STAMPED NEAR IAPMO APPROVAL.
 3. ALL PIPE AND FITTINGS TO BE ASSEMBLED WITH SOLVENT 4020-01-000.
 2. SLOPE OF TRAP MUST BE 6 PER 300 MINIMUM.
 1. SLOPE OF HORIZONTAL PIPING TO BE 6 PER 300 MINIMUM.
- NOTES:
- OPTIONAL TOILET.

NO	PART NUMBER	DESCRIPTION	QTY
2	010197-01-000	PIPE-3"	108
	010197-02-000	PIPE-3" BLK CSA	108
1	010195-01-000	PIPE-1 1/2"	4122
	010195-02-000	PIPE-1 1/2" CSA	4283
Y-1	010073-01-000	WYE-1 1/2" X 45" H X H X H	1
W-3	011091-03-000	CONTINUOUS WASTE 1 1/4" CSA	1
W-2	011091-02-000	CONTINUOUS WASTE 1 1/4"	1
W-1	011091-01-000	CONTINUOUS WASTE 1 1/4"	1
VM-1	079968-01-000	VENT-MECHANICAL	1
V-7	062418-01-000	VALVE-3" W/HANDLE	1
V-6	062418-02-000	VALVE-3" W/O HANDLE	1
V-5	082696-01-000	VALVE-3"	1
V-4	062421-02-000	VALVE-1 1/2" W/O HANDLE	1
V-3	062421-01-000	VALVE-1 1/2" W/HANDLE	1
V-2	082695-01-000	VALVE-1 1/2"	1
V-1	070916-01-000	VALVE-DUAL, 3" & 1 1/2"	1
T-3	010071-02-000	TEE-PLAS 1 1/2 W/BAFFLE	1
T-2	031365-01-000	TEE-PLAS, 3K3X1 1/2 EXT LG TUR	1
T-1	010071-01-000	TEE-1 1/2" X 1 1/2" X 1 1/2"	2
PL-3	010166-01-000	PLUG-1 1/4" MPT	1
PL-1	010166-01-000	PLUG-1 1/4" MPT	1
P-3	011071-01-000	P-TRAP-CANADA-GALLEY	1
P-2	107538-01-000	P-TRAP-PLAS 1 1/4" W/EXT ARM	3
P-1	011066-02-000	P-TRAP-1 1/4" & 1 1/2" CSA	3
N-4	010129-04-000	NIPPLE-PLAS 3" X 7 5/8" TOE	1
N-3	010129-03-000	NIPPLE-PLAS 3" X 3" TOE	1
N-2	010129-01-000	NIPPLE-PLAS 3" X 2 5/8" TOE	1
N-1	102024-01-000	NIPPLE-PLAS 1 1/2" X 2 5/8" TOE	1
H-2	010201-02-000	HOSE SEWER 3" ID X 20 FT	1
H-1	010201-01-000	HOSE SEWER 3" ID X 10 FT	1
G-6	061607-02-000	GROMMET	1
G-1	061607-01-000	GROMMET	3
F-6	063641-02-000	FLANGE-CLOSET 4" X 3"	1
F-5	063641-01-000	FLANGE-CLOSET 4" X 3"	1
F-4	024676-02-000	FLANGE-CLOSET 4" X 3"	1
F-3	024676-01-000	FLANGE-CLOSET 4" X 3"	1
F-2	010147-02-000	FLANGE-CLOSET 4" X 3" FPT	1
F-1	010147-01-000	FLANGE-CLOSET 4" X 3" FPT	1
E-15	010005-01-000	ELBOW-PLAS 1/16 BD 1 1/2X22 1/2	1
E-14	010009-01-000	ELBOW-ST-PLAS 1/4 BD 1 1/2 X 90	1
E-13	031126-01-000	ELBOW-90° EXTRA LONG TURN	1
E-12	037101-01-000	ELBOW-90° SHORT TURN	1
E-11	041956-01-000	ELBOW-3" X 90 EXTRA LONG TURN	1
E-10	010061-01-000	ELBOW-3" X 45" S	1
E-9	010024-01-000	ELBOW-3" X 45"	1
E-8	010025-01-000	ELBOW-3" X LONG TURN	1
E-7	010023-01-000	ELBOW-PLAS, ST 1/16BD 3 X 22.5'	1
E-6	010008-01-000	ELBOW-1 1/2" X 90 EXT LG TURN	2
E-5	010051-01-000	ELBOW-1 1/2" X 45" S	1
E-4	010001-01-000	ELBOW-1 1/2" X 45"	1
E-3	033761-01-000	ELBOW-1 1/2" X 90 EXT LG TURN	1
E-2	034250-01-000	ELBOW-1 1/2" X LONG TURN	1
E-1	010006-01-000	ELBOW-PLAS-1/8BD 1 1/2X45 HHX	3
CP-2	089069-01-CHT	CAP ASM-VENT PIPE, ROOF	1
CP-1	062415-01-000	CAP-SEWER 3"	1
C-3	010115-01-000	COUPLING-1 1/2" X 1 1/2"	2
C-2	078406-01-000	COUPLER-RUBBER 3" X 3"	1
C-1	010117-01-000	COUPLER-3 H X H	1
B-3	010122-02-000	BUSHING-PLAS 1 1/2 X 1 1/4T CSA	1
B-2	010122-01-000	BUSHING-PLAS 1 1/2" X 1 1/4T	1
B-1	010123-01-000	BUSHING-2" X 1 1/2"	1
A-7	109571-01-000	ADAPTER-1 1/2" X 1 1/4" MPT	5
A-6	062416-01-000	ADAPTER-SEWER, 3"	1
A-5	033302-01-000	ADAPTER-1 1/2"	1
A-4	062417-01-000	ADAPTER-3"	1
A-3	093592-01-000	ADAPTER-SEWER HOSE 45°	1
A-2	109450-01-000	ADAPTER-PLAS HOSE, SEWER	1
A-1	062422-01-000	ADAPTER-OFFSET REDUCER 3 X 1 1/2"	1

WINNBERG 94 M34RA

UNSPECIFIED TOLERANCES ARE:

FINISH: NONE

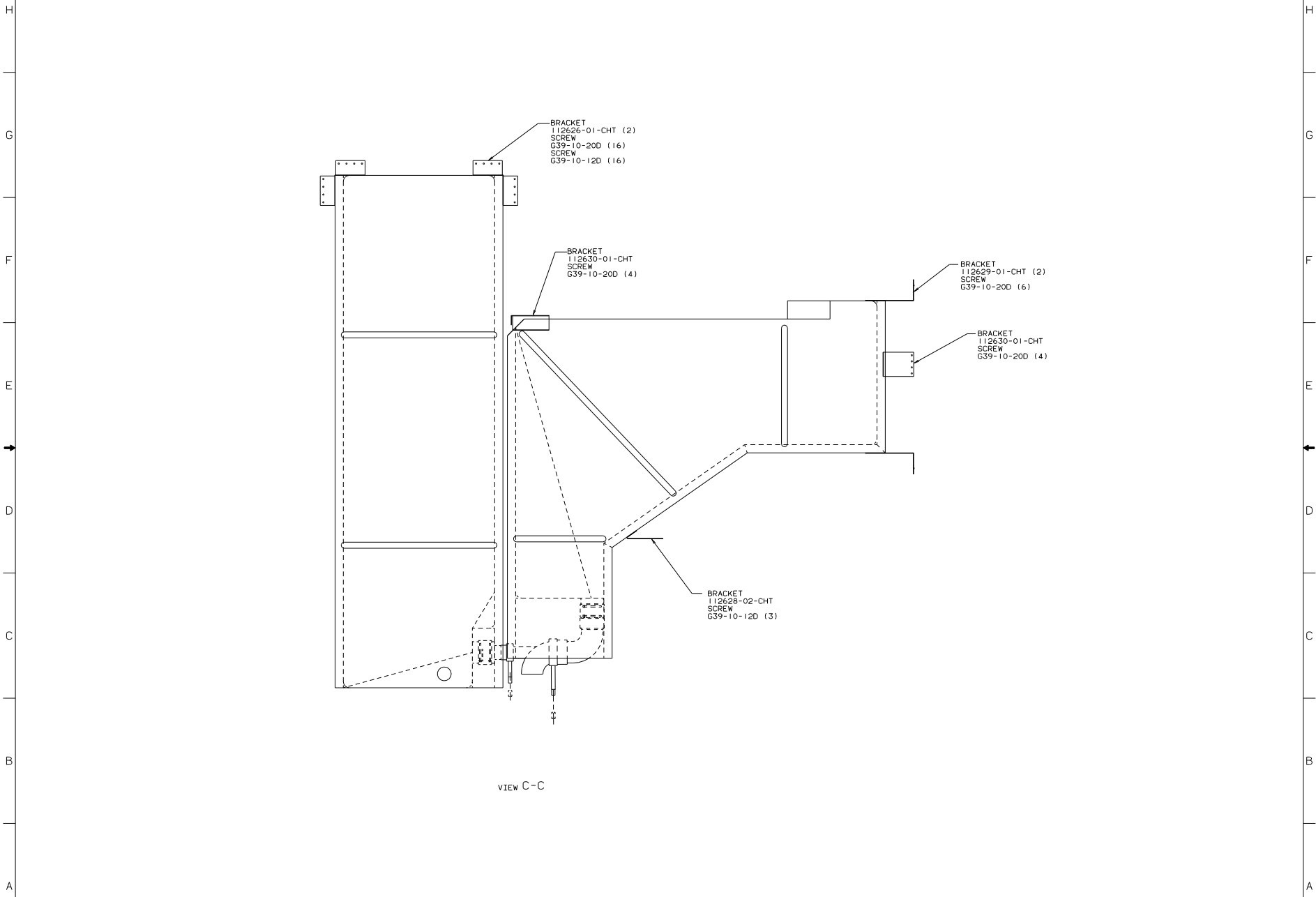
SCALE: NONE

DO NOT SCALE DRAWING

ALL DIMENSIONS ARE IN MILLIMETERS

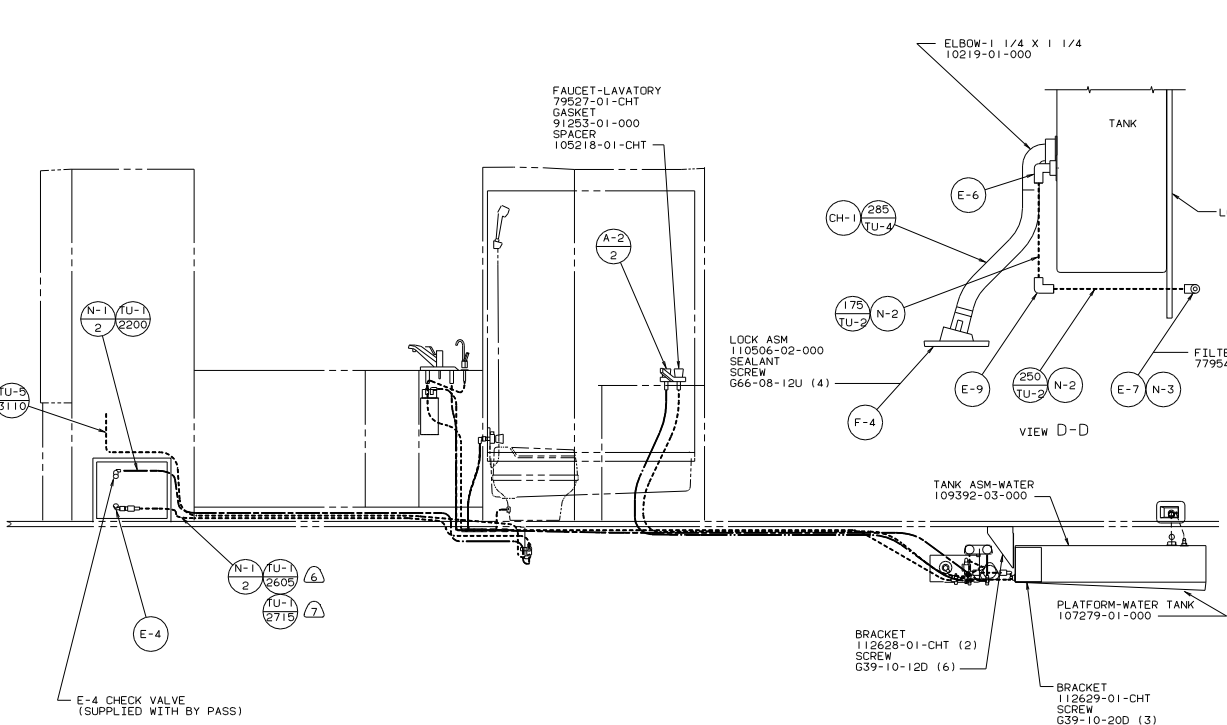
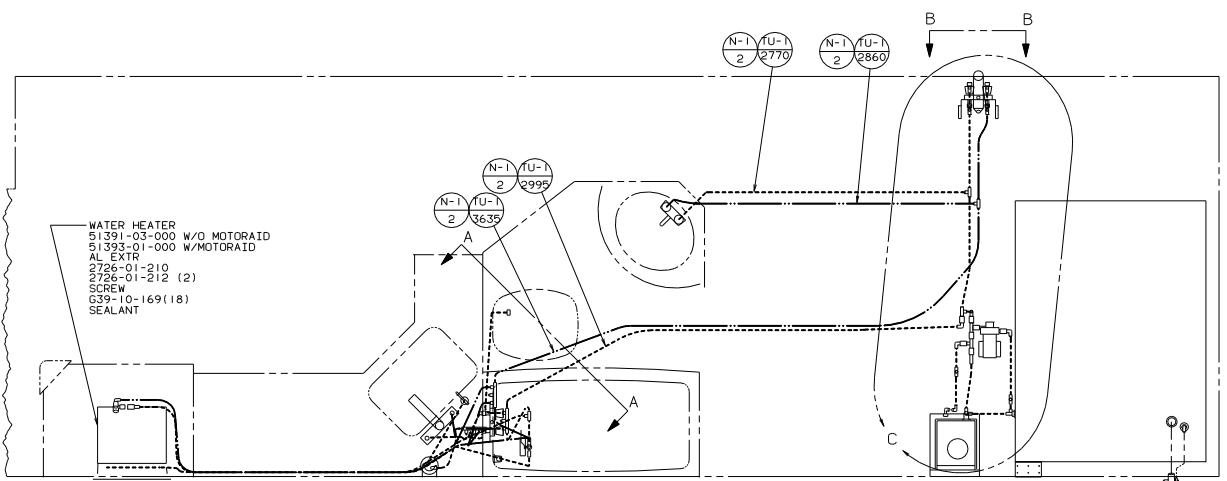
SHEET 1 OF 2

DATE: 109945



VIEW C-C

TITLE: DRAINAGE SYSTEM INSUL		FIG. NO. 109945	
30-MET SCALE DRAWING	SHEET 1 of 2	REV. NO. 1	DATE

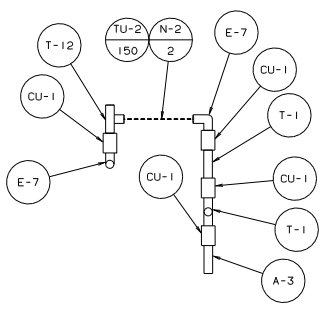
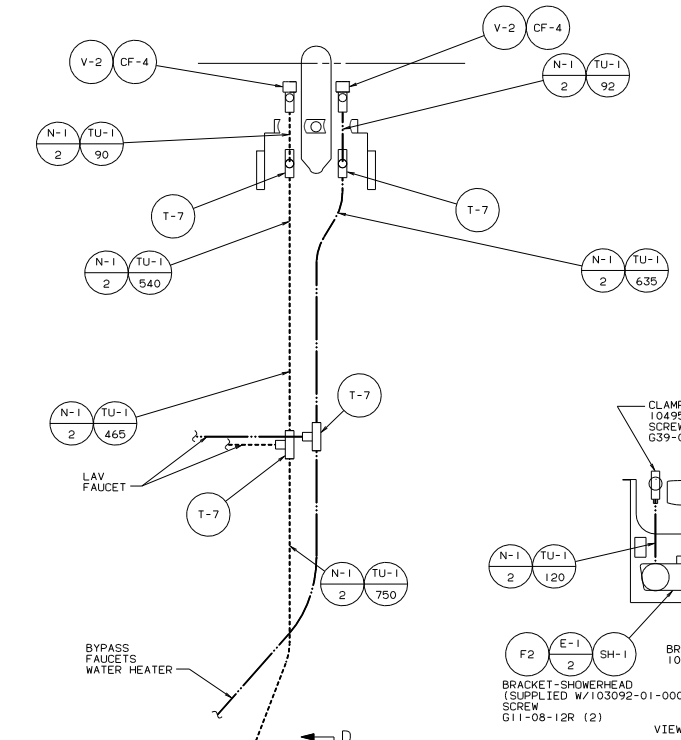


NO	PART NUMBER	DESCRIPTION	QTY
W-1	91208-01-000	WASHER	1
V-6	110438-01-000	VALVE-CHECK, BRASS	1
V-5	77054-01-000	VALVE-1/2MPT X 1/2MPT X 1/4COMP	2
V-4	52960-03-000	VALVE-LINE DRAIN, 5/8FLX5/8FL 16"	1
V-3	52960-02-000	VALVE-LINE DRAIN, 1/2FL X 1/2FL 16"	2
V-2	52960-01-000	VALVE-LINE DRAIN, 1/2FL X 1/2FL	2
V-1	46128-01-000	VALVE-DRAIN, 1/2FPT X 1/2FPT	1
TU-5	39800-04-000	TUBING-1/4"	3620
TU-4	79381-01-000	TUBING-1/4" ID	285
TU-3	74462-02-000	TUBING-3/8"	
TU-2	39800-02-000	TUBING-5/8"	1455
TU-1	39800-01-000	TUBING-1/2"	28802
T-18	93217-01-000	TEE-SWIVEL, 1/2FLX1/2FPTX1/2FL	
T-17	74463-03-000	TEE-1/2FLX1/2MPTX1/2FL X 1/2FL	
T-16	74463-02-000	TEE-1/2FLX1/2MPTX1/2FL X 1/2FL	
T-15	74463-01-000	TEE-1/2FLX1/2FL X 1/2FL X 1/2FL	
T-14	57974-01-000	TEE-5/8FL X 1/2FL X 1/2FL	
T-13	57973-01-000	TEE-1/2FL X 5/8FL X 1/2FL	
T-12	55295-02-000	TEE-1/2FL X 5/8FL X 1/2MPT	
T-11	55295-01-000	TEE-5/8FL X 1/2FL X 1/2MPT	
T-10	55293-01-000	TEE-5/8FL X 5/8FL X 1/2FL	
T-9	55292-01-000	TEE-5/8FL X 1/2FL X 5/8FL	
T-8	55291-01-000	TEE-5/8FL X 5/8FL X 5/8FL	
T-7	52958-01-000	TEE-1/2FL X 1/2FL X 1/2FL	4
T-6	52956-02-000	TEE-5/8FL X 5/8FL X 1/2MPT	1
T-5	52956-01-000	TEE-1/2FL X 1/2FL X 1/2MPT	1
T-4	52955-03-000	TEE-5/8FL X 1/2MPT X 5/8FL	
T-3	52955-02-000	TEE-5/8FL X 3/4MPT X 5/8FL	
T-2	52955-01-000	TEE-1/2FL X 1/2MPT X 1/2FL	
T-1	39798-01-000	TEE-1/2MPT X 1/2MPT X 1/2MPT	2
SH-1	103092-01-000	SHOWER HEAD	1
PW-1	98607-01-000	PUMP-WATER	1
N-3	52953-01-000	NUT-FAUCET, 1/2"FPT	1
N-2	52952-02-000	NUT-5/8" FL	16
N-1	52952-01-000	NUT-1/2" FL	42
H-5	93193-02-000	HEADER-1/2MPTX1/2FLX1/2FLX1/2MPT	
H-4	93193-01-000	HEADER-1/2FLX1/2FLX1/2FLX1/2MPT	
H-3	52961-03-000	HDR-DRN, 1/2MPTX1/2FX1/2FX1/2F16"	
H-2	52961-02-000	HEADER-DRN, 1/2MPTX1/2FX1/2FX1/2F	
H-1	52961-01-000	HEADER-DRAIN, 1/2FX1/2FX1/2FX1/2F	
F-5	77954-02-000	FILTER/SCREEN-WATER, IN-TANK	
F-4	81249-03-CHT	FILL-WATER, LOCKABLE	1
F-3	110915-01-CHT	FILTER-CITY	1
F-2	79563-03-CHT	FAUCET-SHOWER	1
F-1	103106-01-000	FAUCET-EXTERNAL WATER 90"	1
E-11	10219-01-000	ELBOW-PLAS 1 1/4MPTX1 1/4BARB	1
E-10	39808-03-000	ELBOW-1/2MPT X 1/2MPT	2
E-9	57457-02-000	ELBOW-5/8FL X 5/8FL	1
E-8	57457-01-000	ELBOW-1/2MPT X 1/2FL	1
E-7	55290-01-000	ELBOW-1/2MPT X 5/8FL	7
E-6	52957-04-000	ELBOW-3/4MPT X 5/8FL	1
E-5	52957-03-000	ELBOW-1/4MPT X 1/2FL	1
E-4	52957-02-000	ELBOW-1/2MPT X 1/2FL	1
E-3	52957-01-000	ELBOW-3/8MPT X 1/2FL	1
E-2	70924-01-000	ELBOW-SWIVEL, 1/2MPT X 1/2FPT	1
E-1	65120-01-000	ELBOW-SWIVEL, 1/2FL X 1/2FPT	6
CU-2	101814-02-000	COUPLING-FEMALE, 1/2FPT X 1/2FPT	10
CU-1	101814-01-000	COUPLING-MALE, 1/2FL X 1/2FL	10
C-6	103798-01-000	CONNECTOR 1/4 OD X 3/8 MPT	1
C-5	98417-01-000	CONNECTOR-5/8FL X 1/2MPT	1
C-4	55294-01-000	CONNECTOR-1/2FL X 5/8FL	1
C-3	52959-03-000	CONNECTOR-1/2FL X 3/8MPT	1
C-2	52959-02-000	CONNECTOR-1/2FL X 1/2MPT	1
C-1	52959-01-000	CONNECTOR-1/2FL X 1/4MPT	1
CA-1	106217-01-CHT	COMPARTMENT ASM-SHOWER, EXT	1
CH-2	71611-01-000	CLAMP-HOSE, SPRING	1
CH-1	62401-02-000	CLAMP-HOSE 1 1/2 - 2 1/2	1
CF-5	106258-02-000	CAP-INSERTABLE FLARE, 5/8"	1
CF-4	106258-01-000	CAP-INSERTABLE FLARE, 1/2"	2
CF-3	98421-01-000	CAP-FLARE, BRASS, 5/8"	1
CF-2	36522-02-000	CAP-FLARE, 1/2"	1
CF-1	36522-01-000	CAP-FLARE, 3/8"	1
A-5	10224-01-000	ADAPTER-3/8 MPT X 3/8 BARB	1
A-4	44927-01-000	ADAPTER-1 1/4 MPT X 1 1/4 BARB	1
A-3	98420-01-000	ADAPTER-SWIVEL, 5/8FL X 1/2FPT	1
A-2	79317-01-000	ADAPTER-SWIVEL, 1/2FL X 1/2FPT	3
A-1	52954-01-000	ADAPTER-NOSE CONE	1

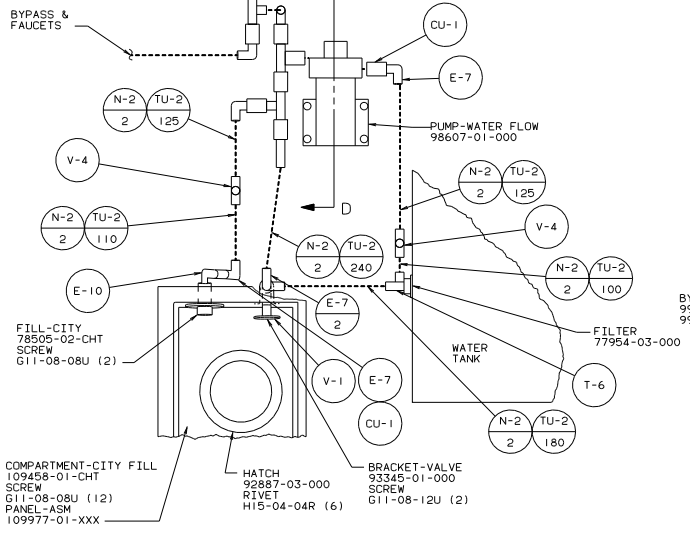
- ⑦ USE WITHOUT MOTOR AID.
- ⑥ USE WITH MOTOR AID.
- ⑤ USE WITHOUT EXTERIOR SHOWER.
- ④ USE WITH EXTERIOR SHOWER.
- 3. ALL TUBING TO BE SECURED AT 1200 INTERVALS MAXIMUM WITH CLAMP 10495-01-000 AND SCREW G67-10-12B.
- 2. TUBING TO BE INSTALLED WITH SUFFICIENT SLOPE TO PROVIDE DRAINAGE TO NEAREST VALVE.
- 1. PLASTIC FITTINGS TO BE SEALED WITH SEALANT 84456-01-000.
- ⑨ USE WITH REFRIGERATOR ICE MAKER.
- ⑧ USE WITHOUT REFRIGERATOR ICE MAKER.

LEGEND	
HOT	—
COLD	-----

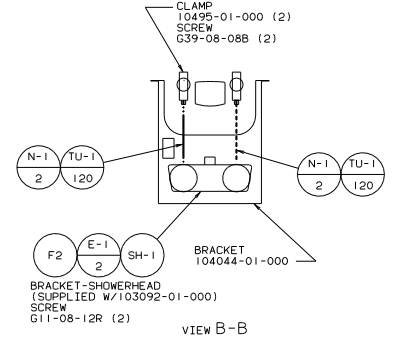
DATE	10/24/09	REVISED TOLERANCES ARE:	MATERIAL:
BY	WINN	FINISH	FINISH
CHKD	WINN	PROJECTION	PROJECTION
APP'D	WINN	SCALE	SCALE
DATE	10/24/09	TITLE: WATER SYSTEM INSTL	
SHEET	1	109949	



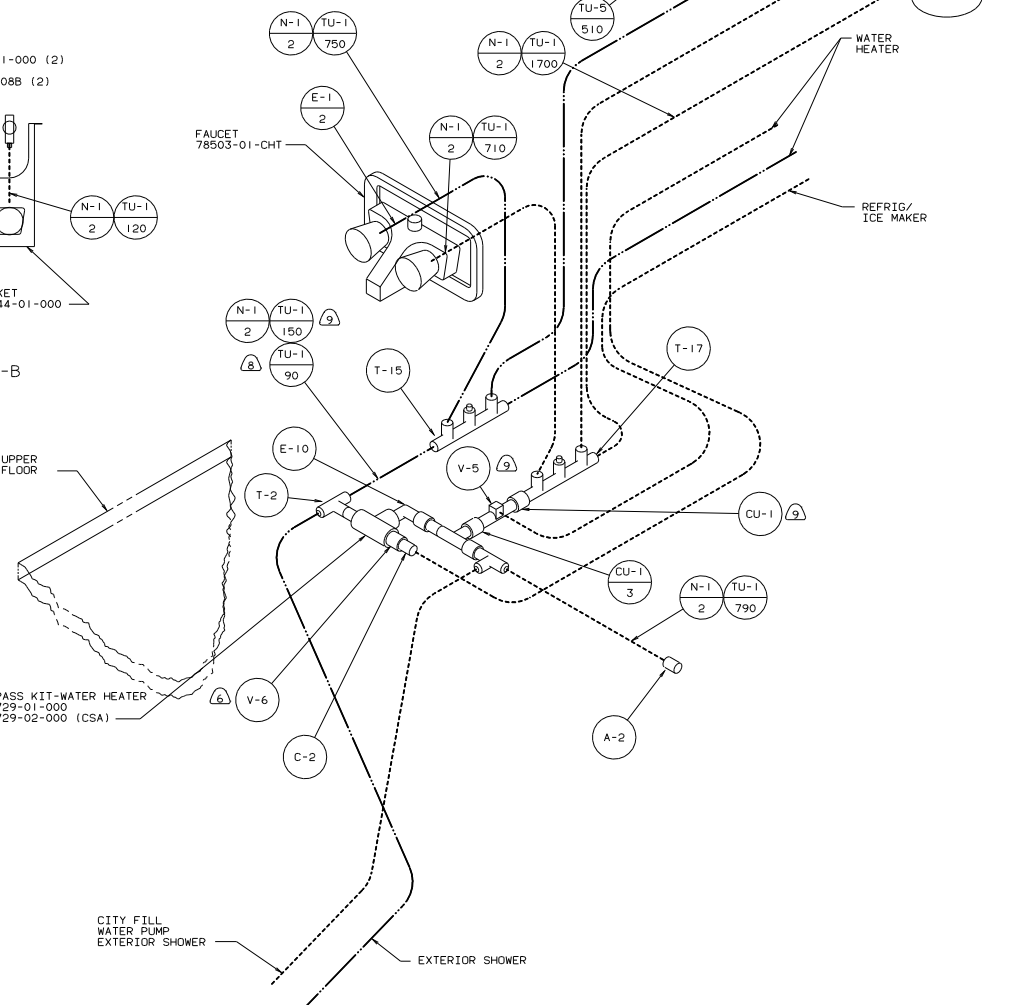
VIEW D-D



DETAIL C



VIEW B-B



VIEW A-A

TITLE: WATER SYSTEM INSTL			
30 MILL SCALE DRAWING	DATE	REV	NO
SHEET 2 OF 2		1E	NO
			109949