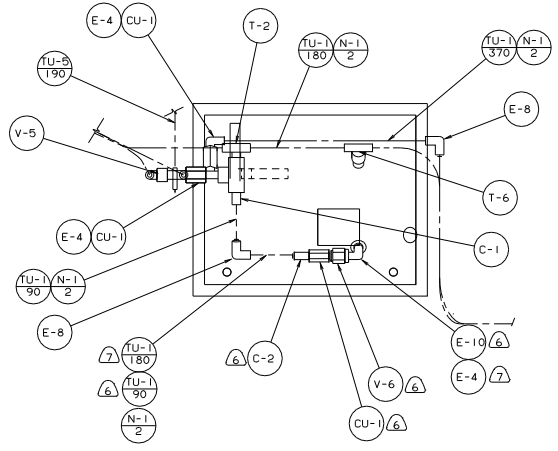
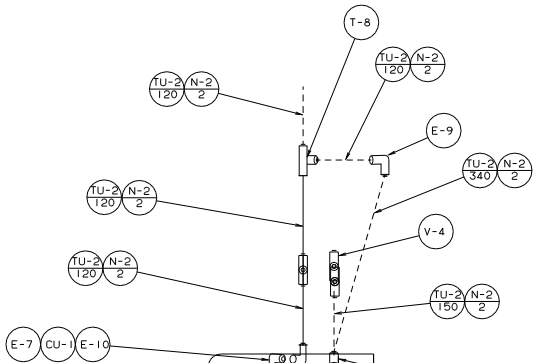


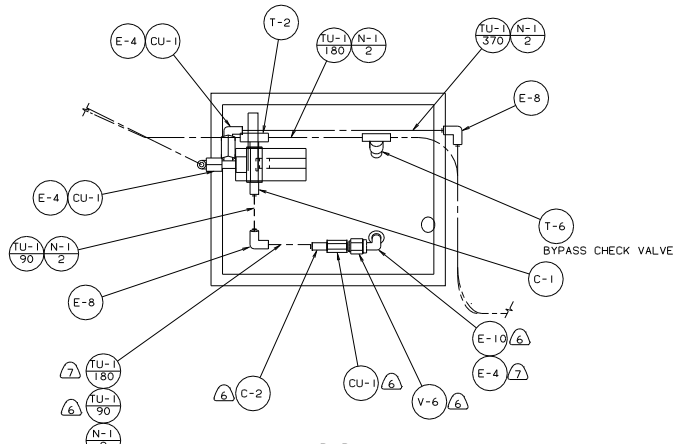
TITLE: DRAINAGE SYSTEM INSTL	
30 MET SCALE DRAWING	FIG. NO. 111878
SHEET 2 OF 2	DATE



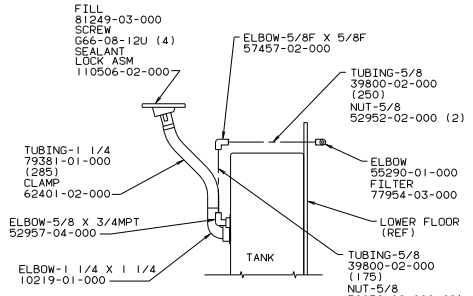
VIEW B-B W/ICEMAKER



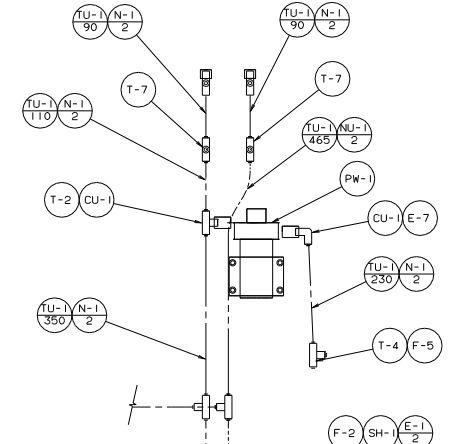
DETAIL D



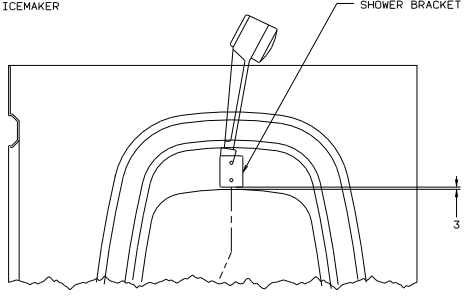
VIEW B-B W/O ICEMAKER



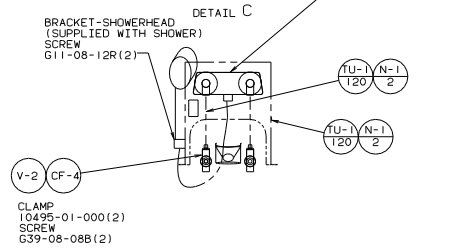
VIEW A-A



DETAIL C



DETAIL F



CLAMP
SCREW