

NO	PART NUMBER	DESCRIPTION	QTY
2	010197-01-000	PIPE-3"	140
	010197-02-000	PIPE-.3" BLK CSA	140
Y	010195-01-000	PIPE-1 1/2"	5400
	010195-02-000	PIPE-1 1/2" CSA	5535
Y-1	010073-01-000	WYE-1 1/2" X 45° H X H X H	
W-3	011091-03-000	CONTINUOUS WASTE 1 1/4" CSA	1
W-2	011091-02-000	CONTINUOUS WASTE 1 1/4"	1
W-1	011091-01-000	CONTINUOUS WASTE 1 1/4"	1
VM-1	079968-01-000	VENT-MECHANICAL	2
V-7	062418-01-000	VALVE-3" W/HANDLE	
V-6	062418-02-000	VALVE-3" W/D HANDLE	
V-5	082696-01-000	VALVE-3"	
V-4	062421-02-000	VALVE-1 1/2" W/D HANDLE	
V-3	062421-01-000	VALVE-1 1/2" W/HANDLE	
V-2	082695-01-000	VALVE-1 1/2"	
V-1	070916-01-000	VALVE-DUAL, 3" & 1 1/2"	1
T-3	010071-02-000	TEE-PLAS 1 1/2 W/Baffle	
T-2	031365-01-000	TEE-PLAS, 3X3X1 1/2 EXT LG TUR	
T-1	010071-01-000	TEE-1 1/2" X 1 1/2" X 1 1/2"	4
PL-2	010166-02-000	PLUG-1 1/4" MPT CSA	
PL-1	010166-01-000	PLUG-1 1/4" MPT	
P-3	011071-01-000	P-TRAP-CANADA-GALLEY	2
P-2	107538-01-000	P-TRAP-PLAS 1 1/4" W/EXT ARM	3
P-1	011066-02-000	P-TRAP-1 1/4" & 1 1/2" CSA	1
N-4	010129-04-000	NIPPLE-PLAS 3" X 7 5/8" TOE	
N-3	010129-03-000	NIPPLE-PLAS 3" X 3" TOE	
N-2	010129-01-000	NIPPLE-PLAS 3" X 2 5/8" TOE	
N-1	102024-01-000	NIPPLE-PLAS 1 1/2" X 2 5/8" TOE	
H-2	102021-02-000	HOSE SEWER 3" ID X 20 FT	
H-1	102021-01-000	HOSE SEWER 3" ID X 10 FT	
G-2	061607-02-000	GROMMET	
G-1	061607-01-000	GROMMET	5
F-6	063641-02-000	FLANGE-CLOSET 4" X 3"	1
F-5	063641-01-000	FLANGE-CLOSET 4" X 3"	1
F-4	024676-02-000	FLANGE-CLOSET 4" X 3"	
F-3	024676-01-000	FLANGE-CLOSET 4" X 3"	
F-2	010147-02-000	FLANGE-CLOSET 4" X 3" FPT	
F-1	010147-01-000	FLANGE-CLOSET 4" X 3" FPT	
E-15	010005-01-000	ELBOW-PLAS 1/16 BD 1 1/2X22 1/2	1
E-14	010009-01-000	ELBOW-PLAS 1/4 BD 1 1/2 X 90	
E-13	011126-01-000	ELBOW 3" X EXTRA LONG TURN	
E-12	037101-01-000	ELBOW-90° SHORT TURN	
E-11	041956-01-000	ELBOW-3" X 90 EXTRA LONG TURN	1
E-10	010061-01-000	ELBOW-3" X 45° S	1
E-9	010024-01-000	ELBOW-3" X 45°	1
E-8	010025-01-000	ELBOW-3" X LONG TURN	1
E-7	010023-01-000	ELBOW-PLAS, ST 1/16BD 3 X 22.5'	1
E-6	010008-01-000	ELBOW-1 1/2" X 90 EXT LG TURN	5
E-5	010051-01-000	ELBOW-1 1/2" X 45° S	
E-4	010001-01-000	ELBOW-1 1/2" X 45°	
E-3	033761-01-000	ELBOW-1 1/2" X 90 EXT LG TURN	
E-2	034250-01-000	ELBOW-1 1/2" X LONG TURN	
E-1	010006-01-000	ELBOW-PLAS-1/8BD 1 1/2X45 HXH	1
CP-2	089069-01-000	CAP ASM-VENT PIPE, ROOF	1
CP-1	062418-01-000	CAP-SEWER 3"	1
C-3	010115-01-000	COUPLER 1 1/2" X 1 1/2"	4
C-2	078406-01-000	COUPLER-RUBBER 3" X 3"	2
C-1	010117-01-000	COUPLER-3 H X H	
B-1	010123-01-000	BUSHING-2" X 1 1/2"	
A-8	109571-01-000	ADAPTER-1 1/2" X 1 1/4" MPT	3
A-7	050787-01-000	ADAPTER-CLEANOUT	1
A-6	062418-01-000	ADAPTER-3"	1
A-5	033302-01-000	ADAPTER-1 1/2"	
A-4	062417-01-000	ADAPTER-3"	
A-3	093592-01-000	ADAPTER-SEWER HOSE 45°	
A-2	109450-01-000	ADAPTER-PLAS HOSE, SEWER	
A-1	062422-01-000	ADAPTER-OFFSET REDUCER 3 X 1 1/2"	1

- ① SECURE VENT TUBES TO FLOOR.
- ② VENT PIPE MUST PROJECT 51 MM MIN AND 63.5 MM MAX ABOVE ROOF FOR PROPER FIT AND FUNCTION.
- ③ SEE DWG 61607-01-000 FOR INSTL OF GROMMET.
- ④ SEAL ALL AROUND SHOWER WITH SILICONE 78474-01-CHT.
6. FOR CAN UNITS EACH HOLDING TANK SHALL HAVE A CSA APPROVAL STAMPED NEAR THE IAMPO APPROVAL.
5. EXPOSED PIPE ABOVE ROOF TO BE PAINTED 37163-01-000.
4. ALL EXTERIOR OPENINGS AROUND PIPE TO BE SEALED WITH 69637-01-000.
3. ALL PIPE AND FITTINGS TO BE ASSEMBLED WITH SOLVENT 4020-01-000.
2. SLOPE OF TRAP ARM MUST BE 6 PER 305.
1. SLOPE OF HORIZONTAL PIPING TO BE 6 PER 305 MIN.

NOTES:

WINNEMAGO 94 G34R0
 REF: 104598
 111400

DATE: 11/14/00
 SHEET: 1 OF 1

FAUCET
103243-01-000 (8)
104114-02-CHT (7)
GASKET
91253-01-000 (7)

TU-1
3050
N-1
2

TU-1
3050
N-1
2

N-1
2
TU-1
2200

N-1
2
TU-1
770

TU-2
230
N-2
2

T-12
2
F-5

ANGLE-STEEL
64675-54-006(2)
SCREW
667-10-10D(6)

TU-1
465
N-1
2

WATER HEATER
51391-03-000
51393-01-000
DOOR
78506-01-CHT
GARNISH
2726-01-210
2726-01-212(2)
SCREW
G39-10-209(18)
SEALANT

BRACKET
112628-01-000 (2)
SCREW
G39-10-12D (6)

TU-1
2310
N-1
2

TU-1
2310
N-1
2

TU-1
250
N-1
2

T-7

W-1
3470
N-1
2

SH-1

E-1
2
F-2

TU-1
775
N-1
2

TU-1
2310
N-1
2

A-2
2

TU-1
670
N-1
2

FAUCET-LAVATORY
79527-01-CHT

TU-1
670
N-1
2

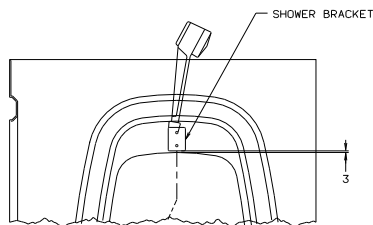
E-7
TU-2
90
N-1
2

T-13
F-3

SCREW
G12-06-08U (2)

TANK ASM-WATER
104363-02-000

PLATFORM-WATER TANK
107279-01-000



DETAIL F

VIEW A-A

- ① USE WITH MOTOR AID.
 - ② USE WITH DOUBLE CONTROL FAUCET.
 - ③ USE WITH SINGLE CONTROL FAUCET.
 - ④ USE WITHOUT EXTERIOR SHOWER.
 - ⑤ USE WITH EXTERIOR SHOWER.
 - ⑥ LOCATE LUMBER TO SUPPORT WATER HEATER.
3. ALL TUBING IS TO BE SECURED AT 1200 INTERFALS MAX WITH CLIP 91951-01-000 AND SCREW G13-06-16U.
2. TUBING TO BE INSTALLED WITH SUFFICIENT SLOPE TO PROVIDE DRAINAGE TO NEAREST VALVE.
1. PLASTIC FITTINGS TO BE SEALED WITH SEALANT 84456-01-000.

LEGEND	
HOT	-----
COLD	-----

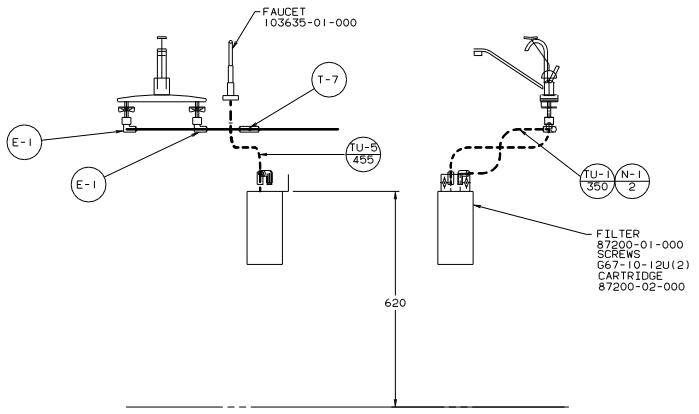
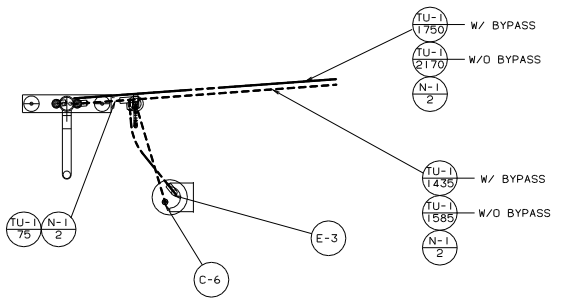
NO	PART NUMBER	DESCRIPTION	QTY
W-1	91208-01-000	WASHER	1
V-6	110438-01-000	VALVE-CHECK, BRASS	2
V-5	77054-01-000	VALVE-1/2MPT X 1/2MPT X 1/4COMP	1
V-4	52960-03-000	VALVE-LINE DRAIN, 5/8FL X 5/8FL 16"	1
V-3	52960-02-000	VALVE-LINE DRAIN, 1/2FL X 1/2FL 16"	1
V-2	52960-01-000	VALVE-LINE DRAIN, 1/2FL X 1/2FL	1
V-1	46128-01-000	VALVE-DRAIN, 1/2FPT X 1/2FPT	4
TU-5	39800-04-000	TUBING-1/4"	455
TU-4	79381-01-000	TUBING-1 1/4" ID	1
TU-3	74462-02-000	TUBING-3/8"	1
TU-2	39800-02-000	TUBING-5/8"	320
TU-1	39800-01-000	TUBING-1/2"	47570
T-18	93217-01-000	TEE-SWIVEL, 1/2FLX1/2FLX1/2FPT	1
T-17	52961-05-000	TEE-1/2MPTX1/2FLX1/2FLX1/2FL	1
T-16	74463-02-000	TEE-1/2FLX1/2MPTX1/2FLX1/2FL	1
T-15	74463-01-000	TEE-1/2FLX1/2FLX1/2FLX1/2FL	1
T-14	57974-01-000	TEE-5/8FLX1/2FLX1/2FL	1
T-13	57973-01-000	TEE-1/2FLX1/2FLX1/2FLX1/2FL	1
T-12	55295-02-000	TEE-1/2FLX1/2MPTX1/2FLX1/2FL	2
T-11	55295-01-000	TEE-5/8FLX1/2MPTX1/2FL	1
T-10	55293-01-000	TEE-5/8FLX1/2FLX1/2FLX1/2FL	1
T-9	55292-01-000	TEE-5/8FLX1/2FLX1/2FL	1
T-8	55291-01-000	TEE-5/8FLX1/2FLX1/2FLX1/2FL	1
T-7	52958-01-000	TEE-1/2FLX1/2FLX1/2FL	6
T-6	52956-02-000	TEE-5/8FLX1/2MPTX1/2FLX1/2FL	1
T-5	52956-01-000	TEE-1/2FLX1/2MPTX1/2FLX1/2FL	1
T-4	52955-03-000	TEE-5/8FLX1/2FLX1/2MPT	1
T-3	52955-02-000	TEE-5/8FLX1/2FLX1/2MPT	1
T-2	52955-01-000	TEE-1/2FLX1/2FLX1/2MPT	5
T-1	39798-01-000	TEE-1/2MPTX1/2MPTX1/2MPT	1
SH-1	103092-01-000	SHOWER HEAD	2
	103092-02-000	SHOWER HEAD(CAN)	2
PW-1	98607-01-000	PUMP-WATER	1
N-3	52953-01-000	NUT-FAUCET, 1/2" FPT	1
N-2	52952-02-000	NUT-5/8" FL	4
N-1	52952-01-000	NUT-1/2" FL	84
H-5	74463-04-000	HEADER-1/2MPTX1/2MPTX1/2FLX1/2FL	1
H-4	74463-05-000	HEADER-1/2MPTX1/2FLX1/2FLX1/2FL	1
H-3	52961-03-000	HDR-DRN, 1/2MPTX1/2FLX1/2FLX1/2FL	1
H-2	52961-02-000	HDR-DRN, 1/2MPTX1/2FLX1/2FLX1/2FL	1
H-1	52961-01-000	HDR-DRN, 1/2FLX1/2FLX1/2FLX1/2FL	1
F-5	77954-02-000	FILTER/SCREEN-WATER, IN-TANK	1
F-4	81249-03-CHT	FILL-WATER, LOCKABLE	1
F-3	110915-01-CHT	FILL-CITY	1
F-2	79563-03-CHT	FAUCET-SHOWER	2
F-1	103106-01-000	FAUCET-EXTERNAL WATER 90°	1
E-11	10219-01-000	ELBOW-PLAS 1 1/4MPTX1 1/4BARB	1
E-10	39808-03-000	ELBOW-1/2MPT X 1/2MPT	1
E-9	57457-02-000	ELBOW-5/8FL X 5/8FL	1
E-8	57457-01-000	ELBOW-1/2FL X 1/2FL	7
E-7	55290-01-000	ELBOW-1/2MPT X 5/8FL	2
E-6	52957-04-000	ELBOW-3/4MPT X 5/8FL	1
E-5	52957-03-000	ELBOW-1/4MPT X 1/2FL	1
E-4	52957-02-000	ELBOW-1/2MPT X 1/2FL	3
E-3	52957-01-000	ELBOW-3/8MPT X 1/2FL	2
E-2	70924-01-000	ELBOW-SWIVEL, 1/2MPT X 1/2FPT	1
E-1	65120-01-000	ELBOW-SWIVEL, 1/2FL X 1/2FPT	1
CU-2	101814-02-000	COUPLING-FEMALE 1/2FPT X 1/2FPT	1
CU-1	101814-01-000	COUPLING-FEMALE 1/2FPT X 1/2FPT	5
C-6	103798-01-000	CONNECTOR 1/4 OD X 3/8 MPT	1
C-5	98417-01-000	CONNECTOR-5/8FL X 1/2MPT	1
C-4	55294-01-000	CONNECTOR-1/2FL X 5/8FL	1
C-3	52959-03-000	CONNECTOR-1/2FL X 3/8MPT	1
C-2	52959-02-000	CONNECTOR-1/2FL X 1/2MPT	3
C-1	52959-01-000	CONNECTOR-1/2FL X 1/4MPT	1
CA-1	106217-01-CHT	COMPARTMENT ASM-SHOWER, EXT	1
CH-2	7161-01-000	CLAMP-HOSE, SPRING	1
CH-1	62401-02-000	CLAMP-HOSE, 1 1/2 - 2 1/2	1
CF-5	106258-02-000	CAP-INSERTABLE FLARE, 5/8"	1
CF-4	106258-01-000	CAP-INSERTABLE FLARE, 1/2"	4
A-6	11277-01-000	ADAPTER-BRASS, 1/2MPTX1/2BARB	1
A-5	10224-01-000	ADAPTER-3/8 MPT X 3/8 BARB	1
A-4	44927-01-000	ADAPTER-1 1/4 MPT X 1 1/4 BARB	1
A-3	98420-01-000	ADAPTER-SWIVEL, 5/8FL X 1/2FPT	1
A-2	79317-01-000	ADAPTER-SWIVEL, 1/2FL X 1/2FPT	3
A-1	52954-01-000	ADAPTER-NOSE CONE	1

WINNAGO 94 G34R0 111402

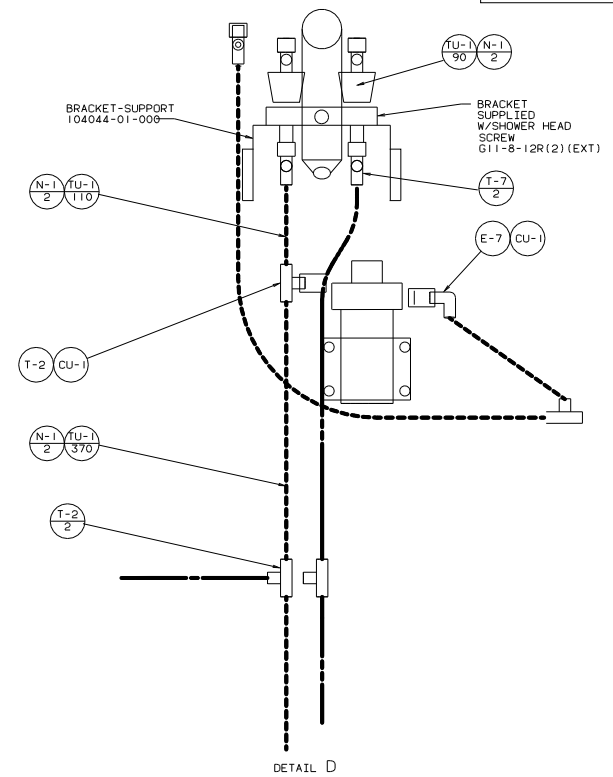
WATER SYSTEM INSTL

REF: 104674

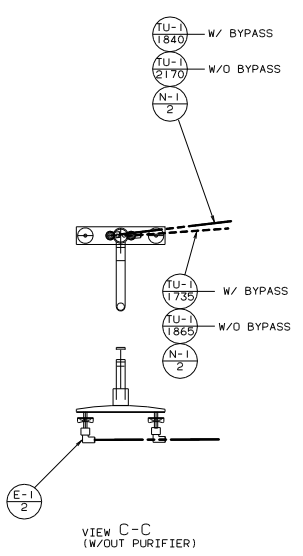
SHEET 1 OF 3



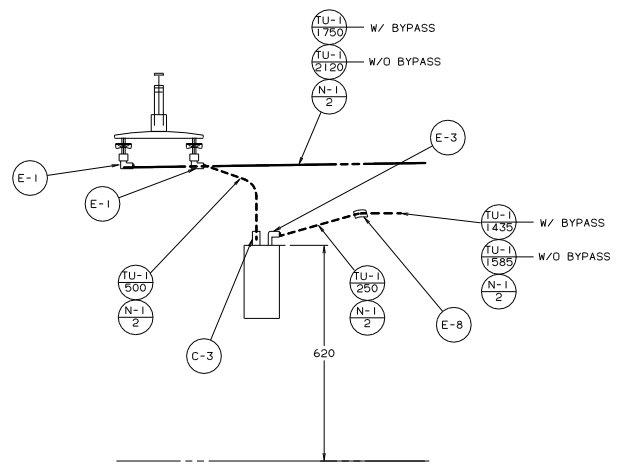
VIEW C-C (WITH PURIFIER AND FAUCET)



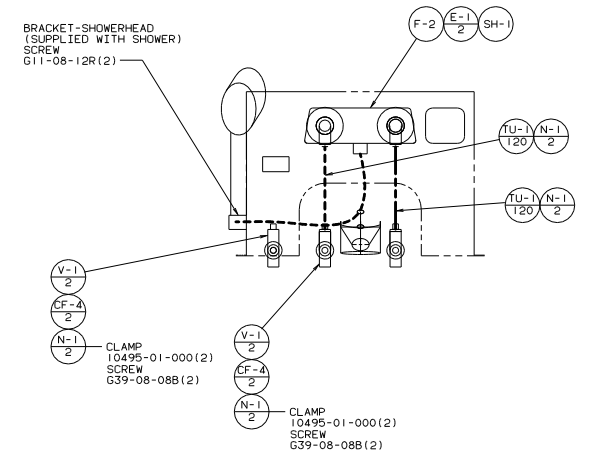
DETAIL D



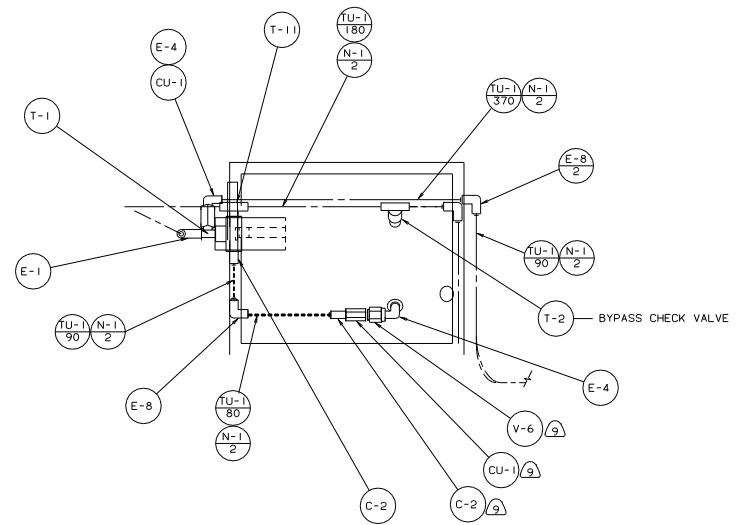
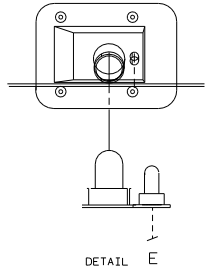
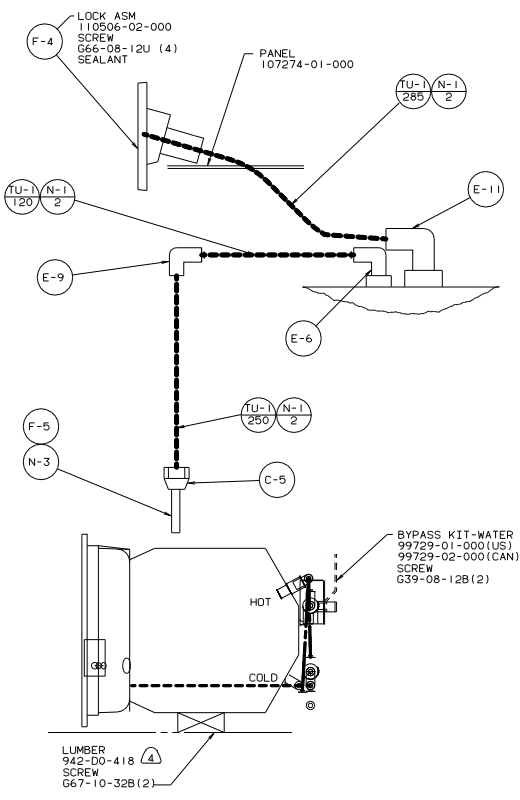
VIEW C-C (W/OUT PURIFIER)



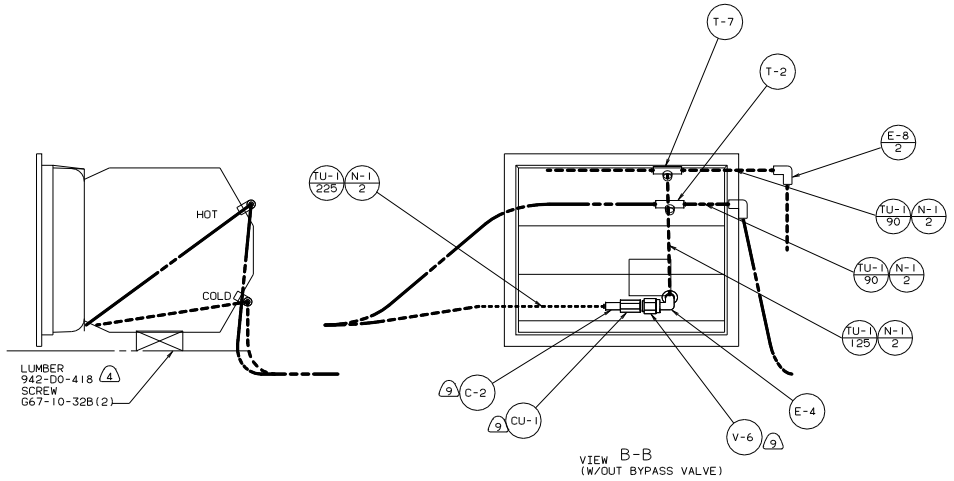
VIEW C-C (WITH PURIFIER)



TITLE: WATER SYSTEM INSTL	
30 NET SCALE DRAWING	DATE
SHEET 2 OF 3	111402



VIEW B-B
(WITH BYPASS VALVE)



VIEW B-B
(W/OUT BYPASS VALVE)