

- (A) USE WITH DOUBLE CONTROL FAUCET.
 (B) USE WITH SINGLE CONTROL FAUCET.
 3. ALL TUBING TO BE SECURED AT 1200 INTERVALS MAX WITH CLIP 91951-01-000 AND SCREW G13-06-16U.
 2. TUBING TO BE INSTALLED WITH SUFFICIENT SLOPE TO PROVIDE DRAINAGE TO NEAREST VALVE.
 1. PLASTIC FITTINGS TO BE SEALED WITH SEALANT 84456-01-000.

LEGEND

HOT	-----
COLD	-----

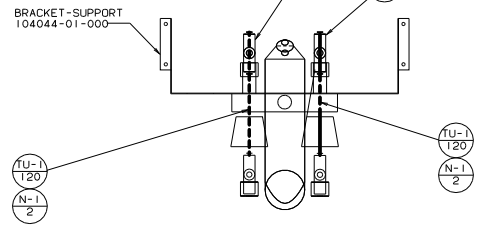
X-X FOR WATER CALLOUTS SEE DWG NO. 116230-01-000

WINNBERG 94 KG34RO

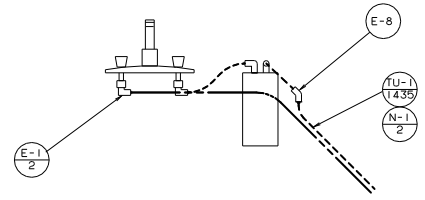
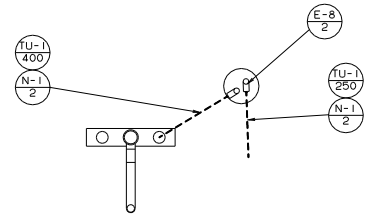
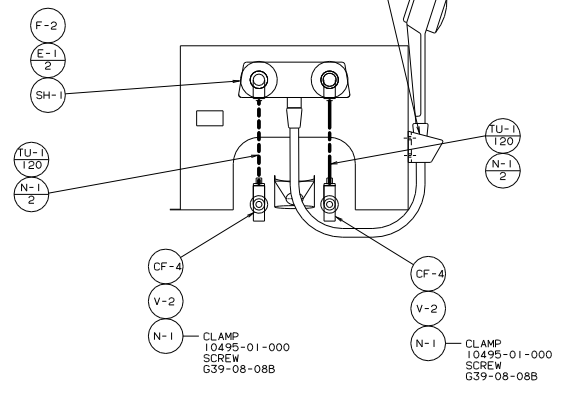
DATE	UNSPECIFIED TOLERANCES ARE:	MATERIAL
CHG	WHOLE DIM (IN)	F
REV	ONE-PLACE (IN, IN)	F
REV	TWO-PLACE (IN, IN)	F
REV	ANGLE	F
REV	THIRD ANGLE PROJECTION	F

LANTH GGEN94 TITLE: WATER SYSTEM INSTL
 DIA # SCALE: NONE 300 NET SCALE DRAWING SIZE: 11.6
 ALL DIMENSIONS ARE IN MILLIMETERS SHEET 1 OF 3 111598

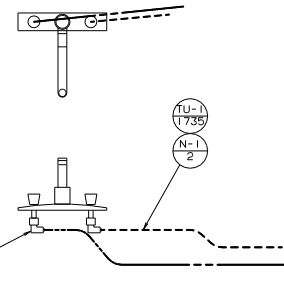
REF: 105780



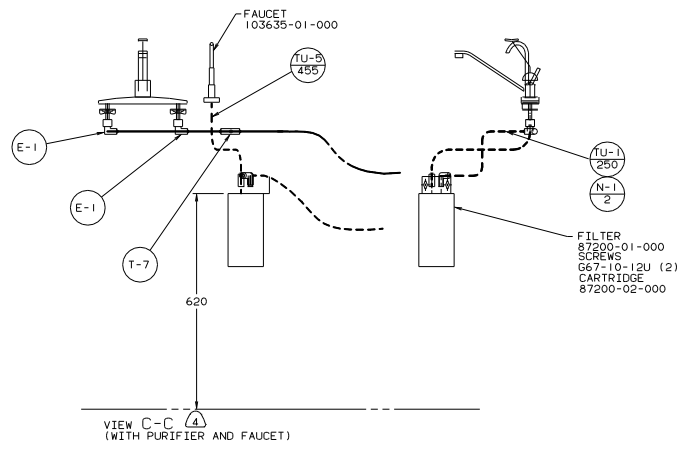
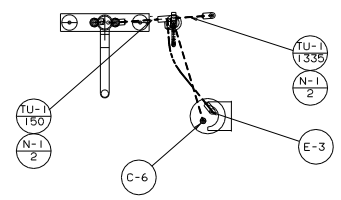
DETAIL D
BRACKET-SHOWERHEAD
(SUPPLIED W/103092-01-000)
SCREW
G11-08-12R(2)



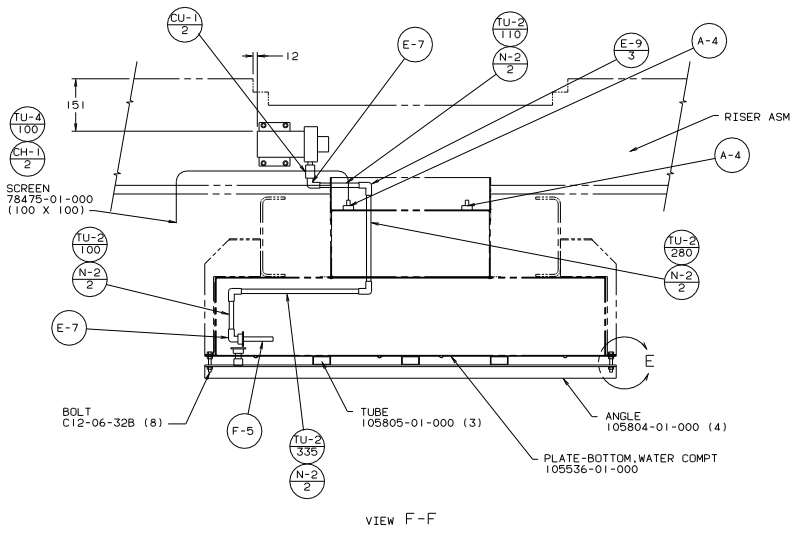
VIEW C-C (A)
(WITH PURIFIER)



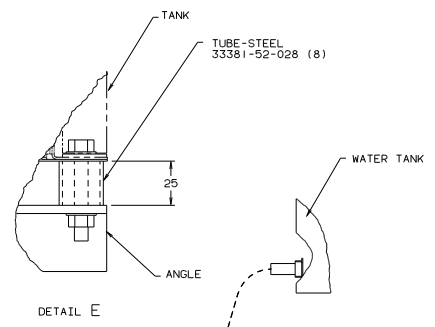
VIEW C-C (B)
(W/OUT PURIFIER)



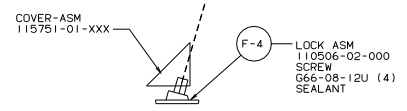
VIEW C-C (4)
(WITH PURIFIER AND FAUCET)



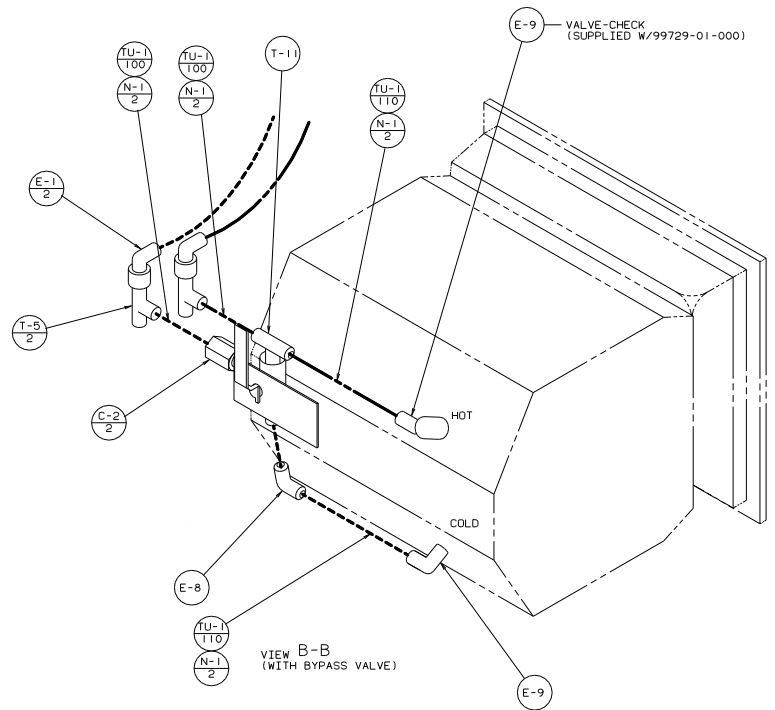
VIEW F-F



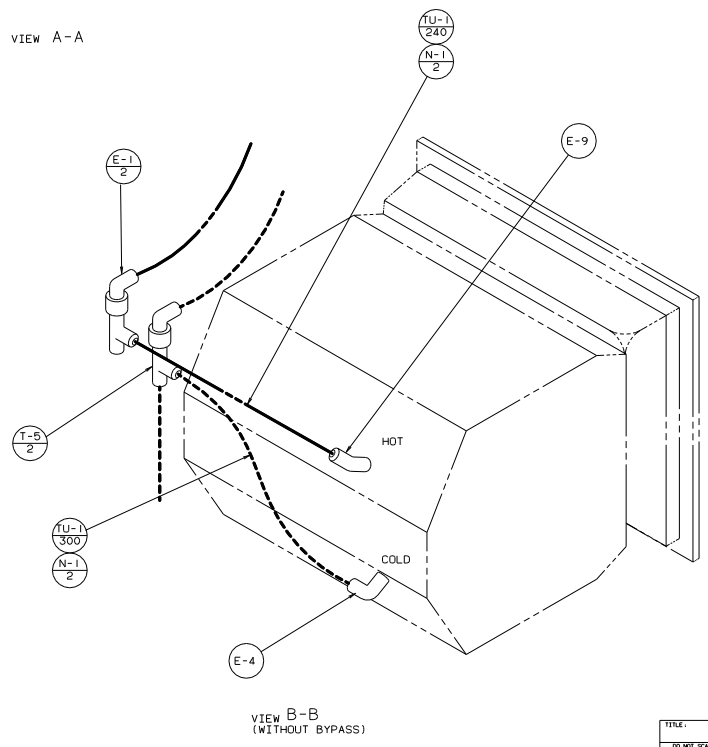
DETAIL E



VIEW A-A



VIEW B-B (WITH BYPASS VALVE)



VIEW B-B (WITHOUT BYPASS)

TITLE: WATER SYSTEM INSTL		REV	DATE
30 MIL SCALE DRAWING	SHEET 3 OF 3	1.1	111598