

- 7 VENT PIPE MUST BE PROJECTED 51 TO 64 MAXIMUM ABOVE ROOF FOR PROPER FIT AND FUNCTION.
- 6 SEE DRAWING 61607-01-000 FOR INSTALLATION OF GROMMET.
- 5 SEAL ALL AROUND SHOWER WITH SILICONE 78474-01-CHT.
- 4 FOR CANADIAN UNITS EACH HOLDING TANK SHALL HAVE A CSA APPROVAL STAMPED NEAR IAPMO APPROVAL.
- 3 ALL PIPE AND FITTINGS TO BE ASSEMBLED WITH SOLVENT 4020-01-000.
- 2 SLOPE OF TRAP MUST BE 6 PER 300 MINIMUM.
- 1 SLOPE OF HORIZONTAL PIPING TO BE 6 PER 300 MINIMUM.

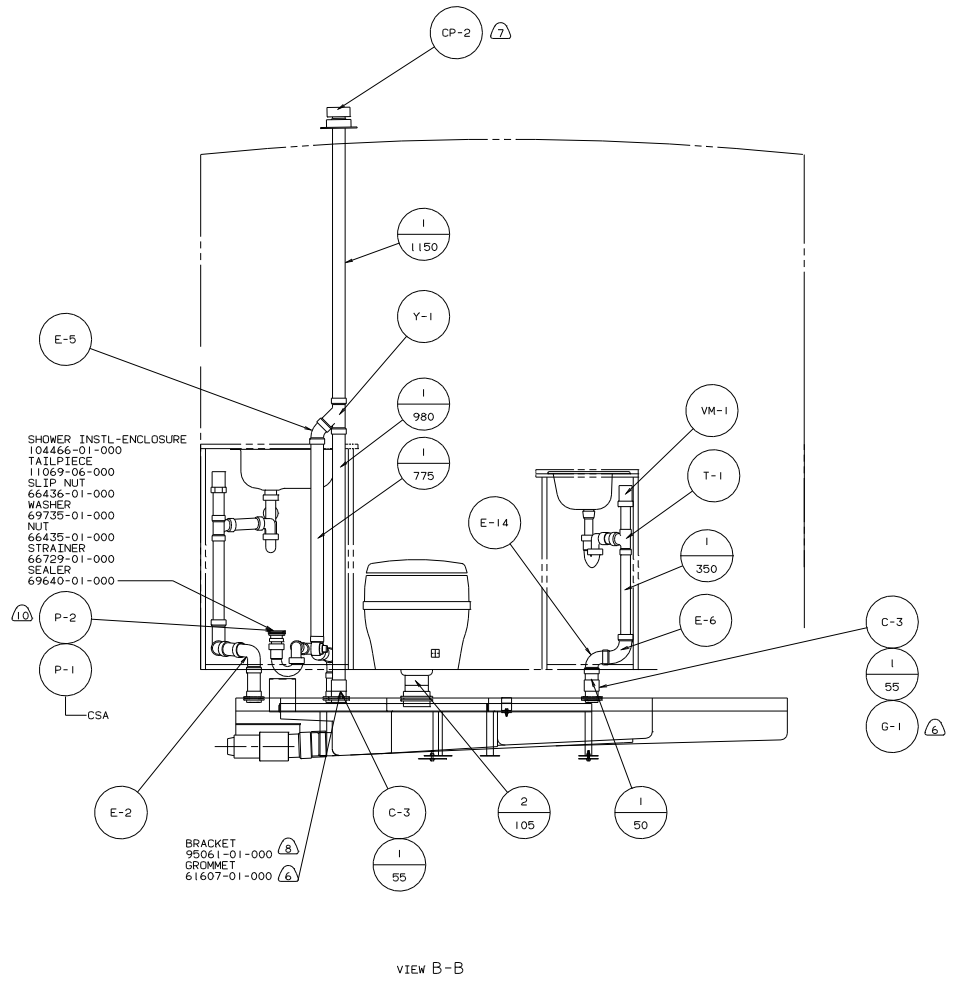
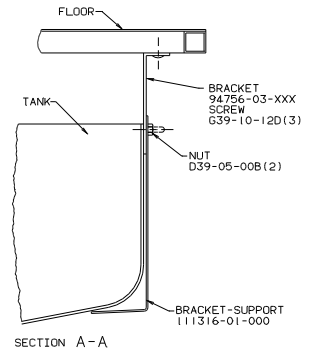
- 10 NOT USED ON CANADIAN UNIT.
- 9 TRIM P-TRAP EXTENSION TO FIT.
- 8 SECURE VENT TUBES TO FLOOR.

X-X FOR DRAINAGE CALLOUTS SEE DWG NO. 116229-01-000

WINNAGO 94 G34RA

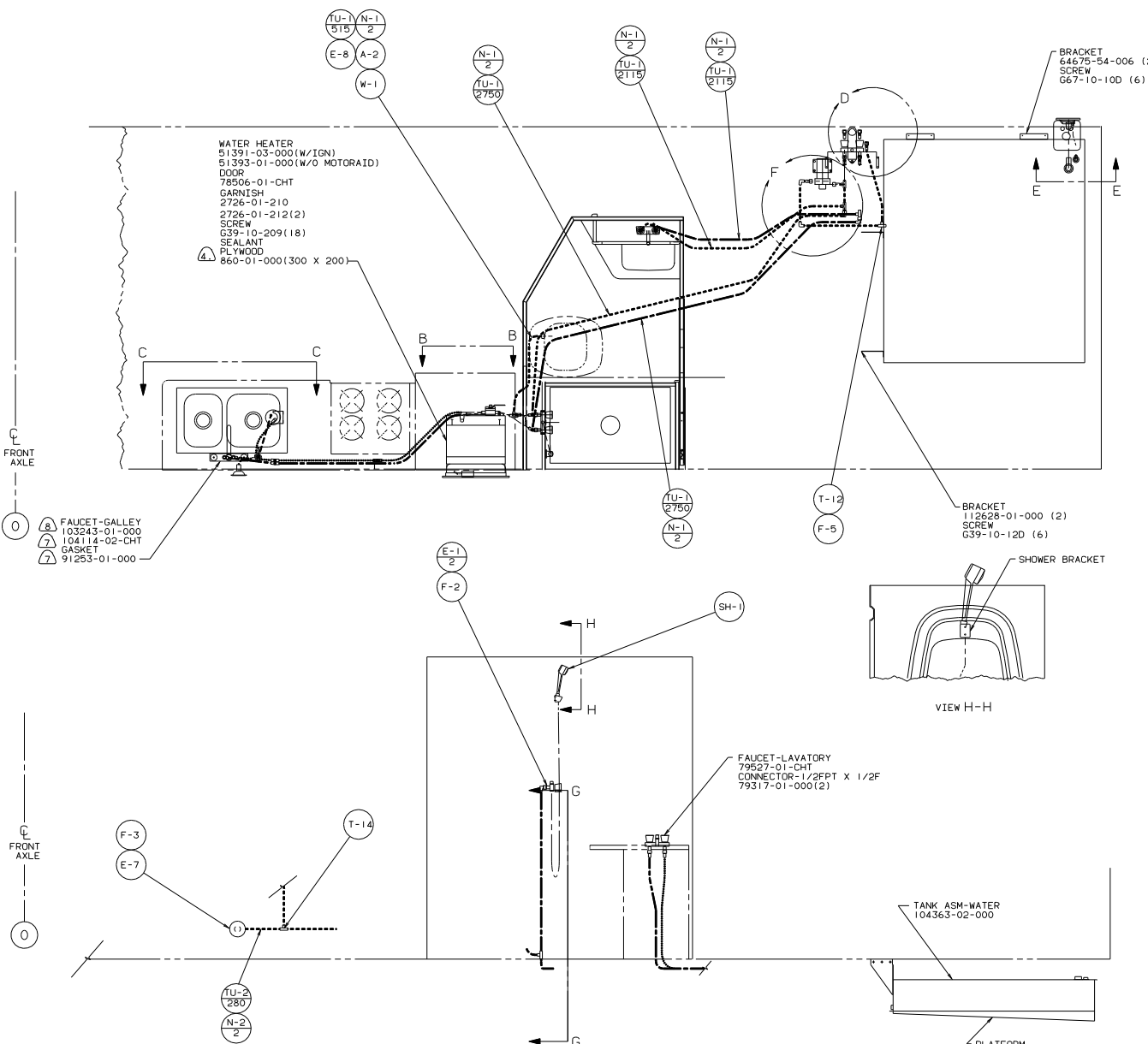
QTY	UNSPECIFIED TOLERANCES ARE	MATERIAL
CHRS	UNLESS OTHERWISE SPECIFIED	
FIN	ONE-PLATE, 1/8" X 1/2"	
DR	FACE-PLATE, 1/8" X 1/2"	
DR	ANGLE	
CONC	DRIP ANGLE PROTECTION	

LAVATORY GGEN94 TITLE: DRAINAGE SYSTEM INSTL
 94 G34RA
 001 OF 2 SHEET 1 OF 2 REF: 104618 111675



94 G34RA

TITLE		DRAWING NO	
DRAINAGE SYSTEM INSTL		111675	
30 NET SCALE DRAWING	1 E	SHEET 2 OF 2	1



NO	PART NUMBER	DESCRIPTION	QTY
W-1	91208-01-000	WASHER	1
V-6	110438-01-000	VALVE-CHECK, BRASS	2
V-5	77054-01-000	VALVE-1/2MPT X 1/2MPT X 1/4COMP	.
V-4	52960-03-000	VALVE-LINE DRAIN, 5/8FL X 5/8FL	16
V-3	52960-02-000	VALVE-LINE DRAIN, 1/2F X 1/2F 16"	.
V-2	52960-01-000	VALVE-LINE DRAIN, 1/2FL X 1/2FL	3
V-1	46128-01-000	VALVE-DRAIN, 1/2FPT X 1/2FPT	4
TU-5	39800-04-000	TUBING-1/4"	455
TU-4	79381-01-000	TUBING-1 1/4" ID	285
TU-3	74462-02-000	TUBING-3/8"	.
TU-2	39800-02-000	TUBING-5/8"	820
TU-1	39800-01-000	TUBING-1/2"	29405
T-18	33217-01-000	TEE-SWIVEL, 1/2FLX1/2FLX1/2FPT	.
T-17	52961-05-000	TEE-1/2MPTX1/2FLX 1/2FL X 1/2FL	.
T-16	74463-02-000	TEE-1/2FLX1/2MPTX 1/2FL X 1/2FL	.
T-15	74463-01-000	TEE-1/2FLX 1/2FL X 1/2FL X 1/2FL	.
T-14	57974-01-000	TEE-5/8FL X 1/2FL X 1/2FL	1
T-13	57973-01-000	TEE-1/2FL X 1/2FL X 5/8FL	.
T-12	52929-02-000	TEE-1/2FL X 1/2MPT X 5/8FL	1
F-11	52929-01-000	TEE-5/8FL X 1/2MPT X 1/2FL	.
T-10	52929-03-000	TEE-5/8FL X 1/2FL X 5/8FL	1
T-9	52929-01-000	TEE-5/8FL X 5/8FL X 1/2FL	.
T-8	52929-01-000	TEE-5/8FL X 5/8FL X 5/8FL	.
T-7	52958-01-000	TEE-1/2FL X 1/2FL X 1/2FL	7
T-6	52956-02-000	TEE-5/8FL X 1/2MPT X 5/8FL	.
T-5	52956-01-000	TEE-1/2FL X 1/2MPT X 1/2FL	4
T-4	52955-02-000	TEE-5/8FL X 5/8FL 1/2MPT	.
T-3	52955-02-000	TEE-5/8FL X 5/8FL X 3/4MPT	.
T-2	52955-01-000	TEE-1/2FL X 1/2FL X 1/2MPT	7
T-1	39798-01-000	TEE-1/2MPT X 1/2MPT X 1/2MPT	1
SH-1	103092-01-000	SHOWER HEAD	2
	103092-02-000	SHOWER HEAD(CAN)	2
PW-1	98607-01-000	PUMP-WATER	1
N-3	52953-01-000	NUT-FAUCET, 1/2"FPPT	6
N-2	52952-02-000	NUT-5/8" FL	1
N-1	52952-01-000	NUT-1/2" FL	87
H-5	74463-04-000	HEADER-1/2MPTX1/2MPTX1/2FLX1/2FL	.
H-4	74463-05-000	HEADER-1/2MPTX1/2FLX1/2FLX1/2FL	.
H-3	52961-03-000	HDR-DRN, 1/2MPTX1/2FX1/2FX1/2F16"	.
H-2	52961-02-000	HEADER-DRN, 1/2MPTX1/2FX1/2FX1/2F	.
H-1	52961-01-000	HEADER-DRAIN, 1/2FX1/2FX1/2FX1/2F	.
F-5	77954-02-000	FILTER-SCREEN-WATER, IN-TANK	1
F-4	81249-03-CHT	FILL-WATER, LOCKABLE	1
F-3	110915-01-CHT	FILL-CITY	1
F-2	79563-03-CHT	FAUCET-SHOWER	2
F-1	103106-01-000	FAUCET-EXTERNAL WATER 90°	1
E-11	10219-01-000	ELBOW-PLAS 1 1/4MPTX1 1/4BARB	1
E-10	39808-03-000	ELBOW-1/2MPT X 1/2MPT	.
E-9	57457-02-000	ELBOW-5/8FL X 5/8FL	2
E-8	57457-01-000	ELBOW-1/2FL X 1/2FL	8
E-7	52990-01-000	ELBOW-1/2MPT X 5/8FL	2
E-6	52957-04-000	ELBOW-3/4MPT X 5/8FL	1
E-5	52957-03-000	ELBOW-1/4MPT X 1/2FL	.
E-4	52957-02-000	ELBOW-1/2MPT X 1/2FL	4
E-3	52957-01-000	ELBOW-3/8MPT X 1/2FL	1
E-2	70924-01-000	ELBOW-SWIVEL, 1/2MPT X 1/2FPT	10
E-1	65120-01-000	ELBOW-SWIVEL, 1/2FL X 1/2FPT	.
CU-2	101814-02-000	COUPLING-FEMALE 1/2FPT X 1/2FPT	.
CU-1	101814-01-000	COUPLING-FEMALE 1/2FPT X 1/2FPT	5
C-6	103798-01-000	CONNECTOR 1/4 OD X 3/8 MPT	1
C-5	98417-01-000	CONNECTOR-5/8FL X 1/2MPT	1
C-4	55294-01-000	CONNECTOR-1/2FL X 5/8FL	1
C-3	52959-03-000	CONNECTOR-1/2FL X 3/8MPT	1
C-2	52959-02-000	CONNECTOR-1/2FL X 1/2MPT	1
C-1	52959-01-000	CONNECTOR-1/2FL X 1/4MPT	1
CA-1	106217-01-CHT	COMPARTMENT ASM-SHOWER, EXT	.
CH-2	7161-01-000	CLAMP-HOSE, SPRING	.
CH-1	62401-02-000	CLAMP-HOSE, 1 1/2 - 2 1/2	2
CF-5	106258-02-000	CAP-INSERTABLE FLARE, 5/8"	.
CF-4	106258-01-000	CAP-INSERTABLE FLARE, 1/2"	5
A-6	112177-01-000	ADAPTER-BRASS, 1/2MPTX1/2BARB	.
A-5	10224-01-000	ADAPTER-3/8 MPT X 3/8 BARB	.
A-4	44927-01-000	ADAPTER-1 1/4 MPT X 1 1/4 BARB	.
A-3	98420-01-000	ADAPTER-SWIVEL, 5/8FL X 1/2FPT	.
A-2	79317-01-000	ADAPTER-SWIVEL, 1/2FL X 1/2FPT	1
A-1	52954-01-000	ADAPTER-NOSE CONE	1

- Ⓐ USE WITH DOUBLE CONTROL FAUCET.
 - Ⓐ USE WITH SINGLE CONTROL FAUCET.
 - Ⓐ USE WITHOUT EXTERIOR SHOWER.
 - Ⓐ USE WITH EXTERIOR SHOWER.
 - Ⓐ LOCATE LUMBER TO SUPPORT WATER HEATER.
- ALL TUBING TO BE SECURED AT 1200 INTERFALS MAX WITH CLIP 91951-01-000 AND SCREW G13-06-16U.
 - TUBING TO BE INSTALLED WITH SUFFICIENT SLOPE TO PROVIDE DRAINAGE TO NEAREST VALVE.
 - PLASTIC FITTINGS TO BE SEALED WITH SEALANT 84456-01-000.

LEGEND	
HOT	-----
COLD	-----

WINNEGAGO 94 G34RA

UNSPECIFIED TOLERANCES ARE: MATERIAL

DATE: 11/16/74

SCALE: NONE

DO NOT SCALE DRAWING

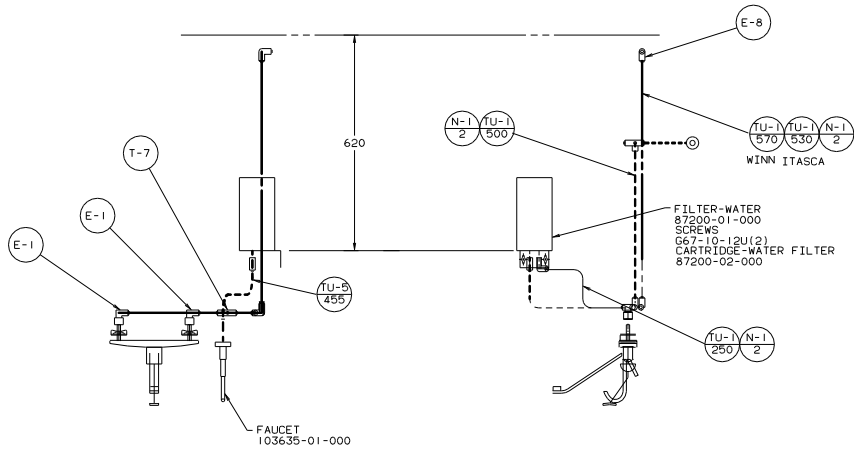
SIZE: 11 1/2" X 17"

ALL DIMENSIONS ARE IN MILLIMETERS

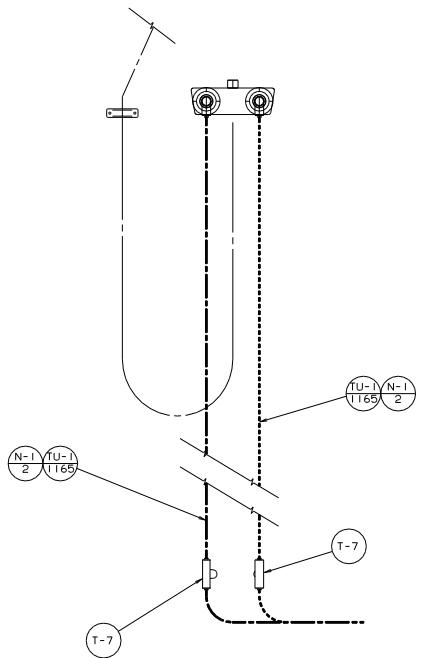
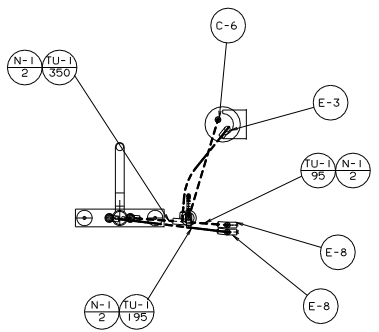
SHEET 1 OF 3

REF: 104620

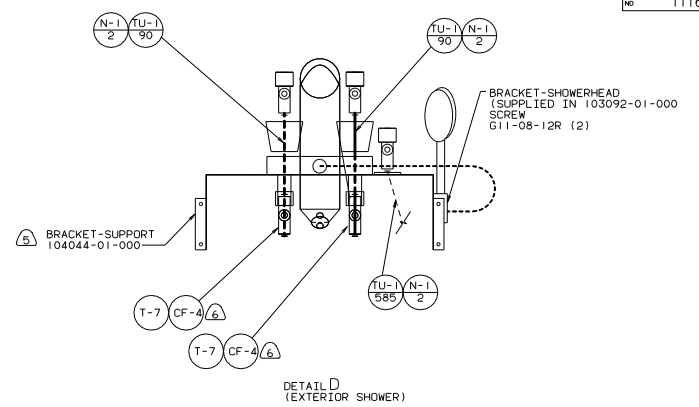
111674



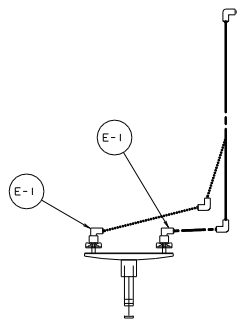
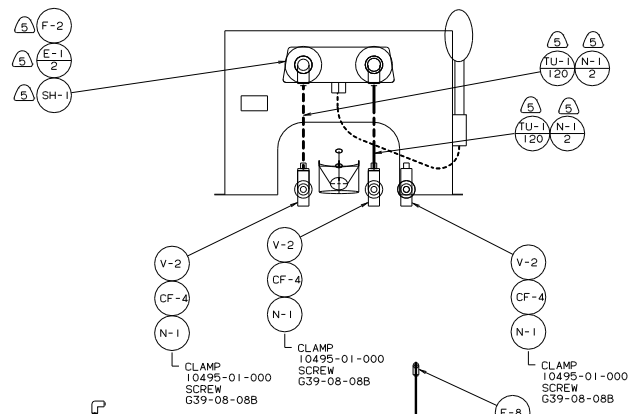
VIEW C-C
(WITH PURIFIER AND FAUCET)



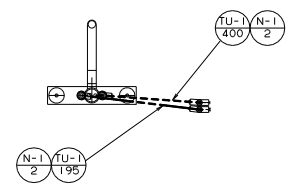
VIEW G-G

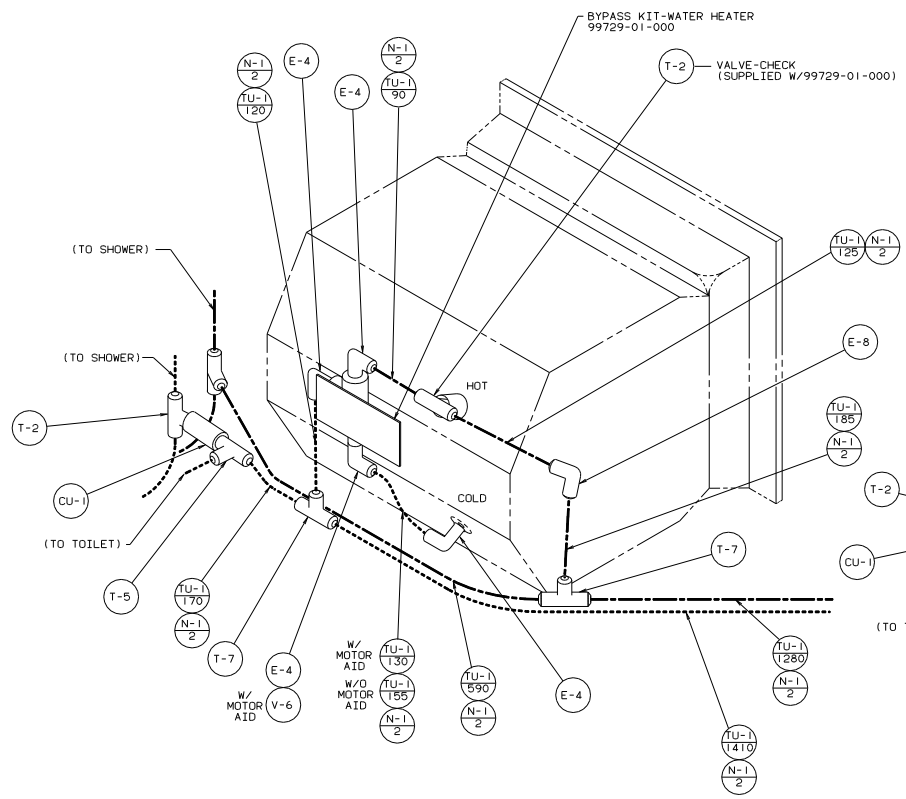
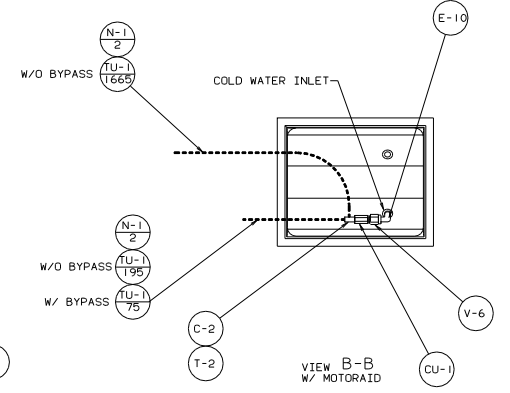
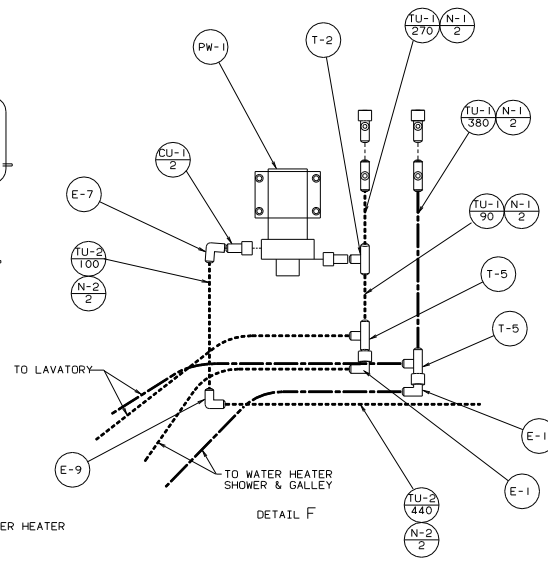
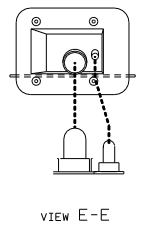
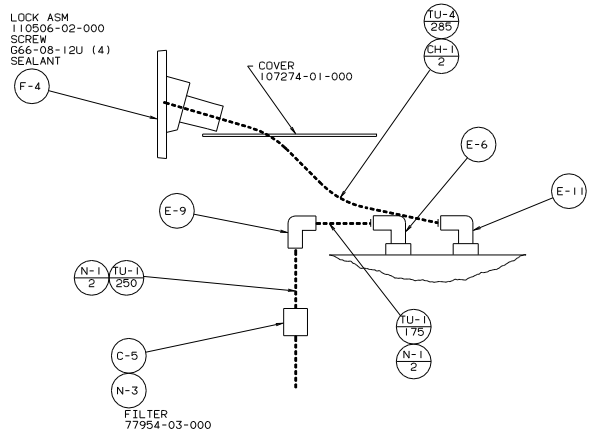


DETAIL D
(EXTERIOR SHOWER)

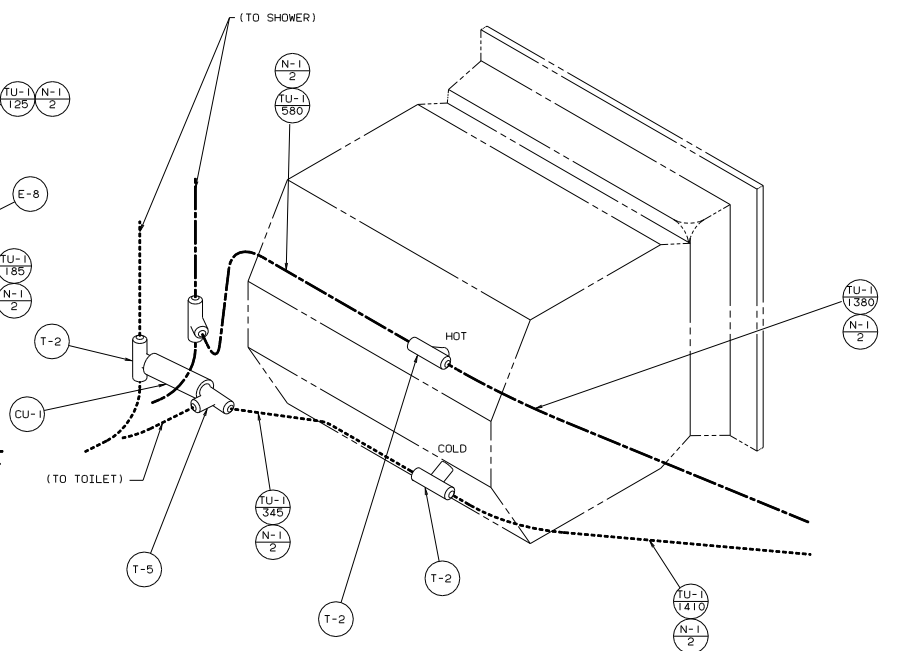


VIEW C-C
(W/OUT PURIFIER)





VIEW B-B (WITH BYPASS VALVE)



VIEW B-B (WITHOUT BYPASS VALVE)

TITLE: WATER SYSTEM INSTL	
30 MIL SCALE DRAWING	REV 1
SHEET 3 OF 3	DATE 11/16/74