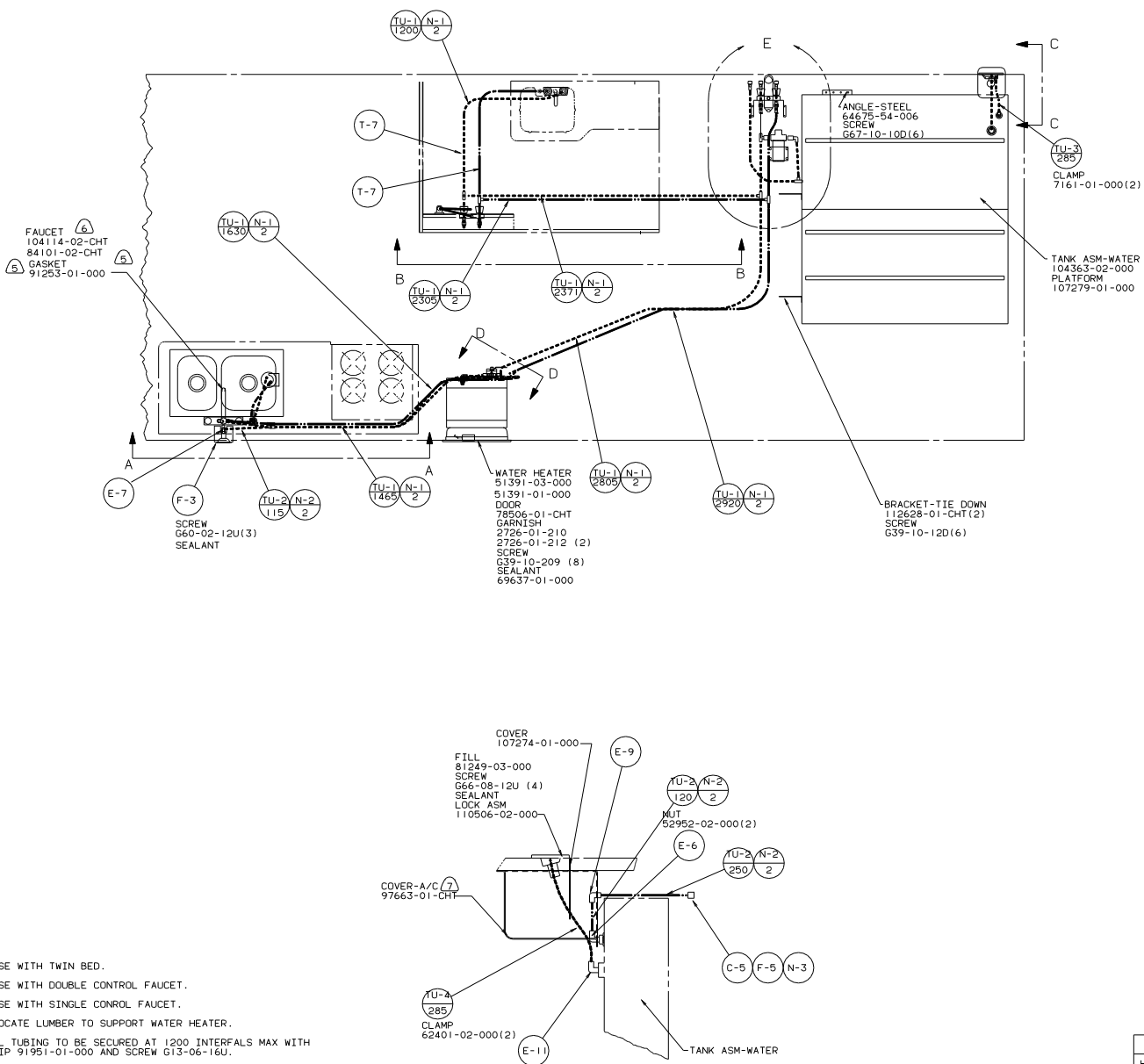


- (11) TRIM P-TRAP EXTENSION TO FIT.
- 10 SECURE VENT TUBES TO FLOOR WITH BRACKET 95061-01-000(2), CLAMP 62401-02-000, PLATE COVER 94346-03-000, SCREW 667-10-12B(2), AND STAPLE 5403-03-000.
- (9) VENT PIPE MUST PROJECT 51 MM MIN AND 63.5 MM MAX ABOVE ROOF FOR PROPER FIT AND FUNCTION.
8. SEE DWG 61607-01-000 FOR INSTL OF GROMMETS.
7. SEAL ALL AROUND SHOWER WITH SILICONE.
6. FOR CAN UNITS EACH HOLDING TANK SHALL HAVE A CSA APPROVAL STAMPED NEAR THE IAMPO APPROVAL.
5. EXPOSED PIPE ABOVE ROOF TO BE PAINTED 37163-01-000.
4. ALL EXTERIOR OPENINGS AROUND PIPE TO BE SEALED WITH 110744-01-000.
3. ALL PIPE AND FITTINGS TO BE ASSEMBLED WITH SOLVENT 4020-01-000.
2. SLOPE OF TRAP ARM MUST BE 6 PER 305.
1. SLOPE OF HORIZONTAL PIPING TO BE 6 PER 305 MIN.
- (12) NOT USED ON CANADIAN UNITS

X-X FOR DRAINAGE CALLOUTS SEE DWG NO. 116229-01-000

WINNEMAGO 94 G32R0	
DATE	UNSPECIFIED TOLERANCES ARE
CHG	WHOLE DIM IN 1/16"
FR	ONE-PLACE IN 3/16"
FIN	TWO-PLACE IN 3/32"
CON	THREE-PLACE IN 1/16"
DR	FOUR-PLACE IN 1/32"
LD	FIVE-PLACE IN 1/64"
LD	SIX-PLACE IN 1/32"
LD	SEVEN-PLACE IN 1/16"
LD	EIGHT-PLACE IN 1/8"
LD	NINE-PLACE IN 3/16"
LD	TEN-PLACE IN 1/4"
LD	ELEVEN-PLACE IN 3/8"
LD	TWELVE-PLACE IN 1/2"
LD	THIRTEEN-PLACE IN 5/8"
LD	FOURTEEN-PLACE IN 3/4"
LD	FIFTEEN-PLACE IN 7/8"
LD	SIXTEEN-PLACE IN 1"
LD	SEVENTEEN-PLACE IN 1 1/8"
LD	EIGHTEEN-PLACE IN 1 1/4"
LD	NINETEEN-PLACE IN 1 3/8"
LD	TWENTY-PLACE IN 1 1/2"
LD	TWENTY-ONE-PLACE IN 1 3/4"
LD	TWENTY-TWO-PLACE IN 1 7/8"
LD	TWENTY-THREE-PLACE IN 2"
LD	TWENTY-FOUR-PLACE IN 2 1/8"
LD	TWENTY-FIVE-PLACE IN 2 1/4"
LD	TWENTY-SIX-PLACE IN 2 3/8"
LD	TWENTY-SEVEN-PLACE IN 2 1/2"
LD	TWENTY-EIGHT-PLACE IN 2 5/8"
LD	TWENTY-NINE-PLACE IN 2 3/4"
LD	THIRTY-PLACE IN 2 7/8"
LD	THIRTY-ONE-PLACE IN 3"
LD	THIRTY-TWO-PLACE IN 3 1/8"
LD	THIRTY-THREE-PLACE IN 3 1/4"
LD	THIRTY-FOUR-PLACE IN 3 3/8"
LD	THIRTY-FIVE-PLACE IN 3 1/2"
LD	THIRTY-SIX-PLACE IN 3 5/8"
LD	THIRTY-SEVEN-PLACE IN 3 3/4"
LD	THIRTY-EIGHT-PLACE IN 3 7/8"
LD	THIRTY-NINE-PLACE IN 4"
LD	FOURTY-PLACE IN 4 1/8"
LD	FOURTY-ONE-PLACE IN 4 1/4"
LD	FOURTY-TWO-PLACE IN 4 3/8"
LD	FOURTY-THREE-PLACE IN 4 1/2"
LD	FOURTY-FOUR-PLACE IN 4 5/8"
LD	FOURTY-FIVE-PLACE IN 4 3/4"
LD	FOURTY-SIX-PLACE IN 4 7/8"
LD	FOURTY-SEVEN-PLACE IN 5"
LD	FOURTY-EIGHT-PLACE IN 5 1/8"
LD	FOURTY-NINE-PLACE IN 5 1/4"
LD	FIFTY-PLACE IN 5 3/8"
LD	FIFTY-ONE-PLACE IN 5 1/2"
LD	FIFTY-TWO-PLACE IN 5 5/8"
LD	FIFTY-THREE-PLACE IN 5 3/4"
LD	FIFTY-FOUR-PLACE IN 5 7/8"
LD	FIFTY-FIVE-PLACE IN 6"
LD	FIFTY-SIX-PLACE IN 6 1/8"
LD	FIFTY-SEVEN-PLACE IN 6 1/4"
LD	FIFTY-EIGHT-PLACE IN 6 3/8"
LD	FIFTY-NINE-PLACE IN 6 1/2"
LD	SIXTY-PLACE IN 6 5/8"
LD	SIXTY-ONE-PLACE IN 6 3/4"
LD	SIXTY-TWO-PLACE IN 6 7/8"
LD	SIXTY-THREE-PLACE IN 7"
LD	SIXTY-FOUR-PLACE IN 7 1/8"
LD	SIXTY-FIVE-PLACE IN 7 1/4"
LD	SIXTY-SIX-PLACE IN 7 3/8"
LD	SIXTY-SEVEN-PLACE IN 7 1/2"
LD	SIXTY-EIGHT-PLACE IN 7 5/8"
LD	SIXTY-NINE-PLACE IN 7 3/4"
LD	SEVENTY-PLACE IN 7 7/8"
LD	SEVENTY-ONE-PLACE IN 8"
LD	SEVENTY-TWO-PLACE IN 8 1/8"
LD	SEVENTY-THREE-PLACE IN 8 1/4"
LD	SEVENTY-FOUR-PLACE IN 8 3/8"
LD	SEVENTY-FIVE-PLACE IN 8 1/2"
LD	SEVENTY-SIX-PLACE IN 8 5/8"
LD	SEVENTY-SEVEN-PLACE IN 8 3/4"
LD	SEVENTY-EIGHT-PLACE IN 8 7/8"
LD	SEVENTY-NINE-PLACE IN 9"
LD	EIGHTY-PLACE IN 9 1/8"
LD	EIGHTY-ONE-PLACE IN 9 1/4"
LD	EIGHTY-TWO-PLACE IN 9 3/8"
LD	EIGHTY-THREE-PLACE IN 9 1/2"
LD	EIGHTY-FOUR-PLACE IN 9 5/8"
LD	EIGHTY-FIVE-PLACE IN 9 3/4"
LD	EIGHTY-SIX-PLACE IN 9 7/8"
LD	EIGHTY-SEVEN-PLACE IN 10"
LD	EIGHTY-EIGHT-PLACE IN 10 1/8"
LD	EIGHTY-NINE-PLACE IN 10 1/4"
LD	NINETY-PLACE IN 10 3/8"
LD	NINETY-ONE-PLACE IN 10 1/2"
LD	NINETY-TWO-PLACE IN 10 5/8"
LD	NINETY-THREE-PLACE IN 10 3/4"
LD	NINETY-FOUR-PLACE IN 10 7/8"
LD	NINETY-FIVE-PLACE IN 11"
LD	NINETY-SIX-PLACE IN 11 1/8"
LD	NINETY-SEVEN-PLACE IN 11 1/4"
LD	NINETY-EIGHT-PLACE IN 11 3/8"
LD	NINETY-NINE-PLACE IN 11 1/2"
LD	HUNDRED-PLACE IN 11 5/8"
LD	HUNDRED-ONE-PLACE IN 11 3/4"
LD	HUNDRED-TWO-PLACE IN 11 7/8"
LD	HUNDRED-THREE-PLACE IN 12"
LD	HUNDRED-FOUR-PLACE IN 12 1/8"
LD	HUNDRED-FIVE-PLACE IN 12 1/4"
LD	HUNDRED-SIX-PLACE IN 12 3/8"
LD	HUNDRED-SEVEN-PLACE IN 12 1/2"
LD	HUNDRED-EIGHT-PLACE IN 12 5/8"
LD	HUNDRED-NINE-PLACE IN 12 3/4"
LD	HUNDRED-TEN-PLACE IN 12 7/8"
LD	HUNDRED-ELEVEN-PLACE IN 13"
LD	HUNDRED-TWELVE-PLACE IN 13 1/8"
LD	HUNDRED-THIRTEEN-PLACE IN 13 1/4"
LD	HUNDRED-FOURTEEN-PLACE IN 13 3/8"
LD	HUNDRED-FIFTEEN-PLACE IN 13 1/2"
LD	HUNDRED-SIXTEEN-PLACE IN 13 5/8"
LD	HUNDRED-SEVENTEEN-PLACE IN 13 3/4"
LD	HUNDRED-EIGHTEEN-PLACE IN 13 7/8"
LD	HUNDRED-NINETEEN-PLACE IN 14"
LD	HUNDRED-TWENTY-PLACE IN 14 1/8"
LD	HUNDRED-TWENTY-ONE-PLACE IN 14 1/4"
LD	HUNDRED-TWENTY-TWO-PLACE IN 14 3/8"
LD	HUNDRED-TWENTY-THREE-PLACE IN 14 1/2"
LD	HUNDRED-TWENTY-FOUR-PLACE IN 14 5/8"
LD	HUNDRED-TWENTY-FIVE-PLACE IN 14 3/4"
LD	HUNDRED-TWENTY-SIX-PLACE IN 14 7/8"
LD	HUNDRED-TWENTY-SEVEN-PLACE IN 15"
LD	HUNDRED-TWENTY-EIGHT-PLACE IN 15 1/8"
LD	HUNDRED-TWENTY-NINE-PLACE IN 15 1/4"
LD	HUNDRED-THIRTY-PLACE IN 15 3/8"
LD	HUNDRED-THIRTY-ONE-PLACE IN 15 1/2"
LD	HUNDRED-THIRTY-TWO-PLACE IN 15 5/8"
LD	HUNDRED-THIRTY-THREE-PLACE IN 15 3/4"
LD	HUNDRED-THIRTY-FOUR-PLACE IN 15 7/8"
LD	HUNDRED-THIRTY-FIVE-PLACE IN 16"
LD	HUNDRED-THIRTY-SIX-PLACE IN 16 1/8"
LD	HUNDRED-THIRTY-SEVEN-PLACE IN 16 1/4"
LD	HUNDRED-THIRTY-EIGHT-PLACE IN 16 3/8"
LD	HUNDRED-THIRTY-NINE-PLACE IN 16 1/2"
LD	FOURTY-FOUR-PLACE IN 16 5/8"
LD	FOURTY-FIVE-PLACE IN 16 3/4"
LD	FOURTY-SIX-PLACE IN 16 7/8"
LD	FOURTY-SEVEN-PLACE IN 17"
LD	FOURTY-EIGHT-PLACE IN 17 1/8"
LD	FOURTY-NINE-PLACE IN 17 1/4"
LD	FIFTY-PLACE IN 17 3/8"
LD	FIFTY-ONE-PLACE IN 17 1/2"
LD	FIFTY-TWO-PLACE IN 17 5/8"
LD	FIFTY-THREE-PLACE IN 17 3/4"
LD	FIFTY-FOUR-PLACE IN 17 7/8"
LD	FIFTY-FIVE-PLACE IN 18"
LD	FIFTY-SIX-PLACE IN 18 1/8"
LD	FIFTY-SEVEN-PLACE IN 18 1/4"
LD	FIFTY-EIGHT-PLACE IN 18 3/8"
LD	FIFTY-NINE-PLACE IN 18 1/2"
LD	SIXTY-PLACE IN 18 5/8"
LD	SIXTY-ONE-PLACE IN 18 3/4"
LD	SIXTY-TWO-PLACE IN 18 7/8"
LD	SIXTY-THREE-PLACE IN 19"
LD	SIXTY-FOUR-PLACE IN 19 1/8"
LD	SIXTY-FIVE-PLACE IN 19 1/4"
LD	SIXTY-SIX-PLACE IN 19 3/8"
LD	SIXTY-SEVEN-PLACE IN 19 1/2"
LD	SIXTY-EIGHT-PLACE IN 19 5/8"
LD	SIXTY-NINE-PLACE IN 19 3/4"
LD	SEVENTY-PLACE IN 19 7/8"
LD	SEVENTY-ONE-PLACE IN 20"
LD	SEVENTY-TWO-PLACE IN 20 1/8"
LD	SEVENTY-THREE-PLACE IN 20 1/4"
LD	SEVENTY-FOUR-PLACE IN 20 3/8"
LD	SEVENTY-FIVE-PLACE IN 20 1/2"
LD	SEVENTY-SIX-PLACE IN 20 5/8"
LD	SEVENTY-SEVEN-PLACE IN 20 3/4"
LD	SEVENTY-EIGHT-PLACE IN 20 7/8"
LD	SEVENTY-NINE-PLACE IN 21"
LD	EIGHTY-PLACE IN 21 1/8"
LD	EIGHTY-ONE-PLACE IN 21 1/4"
LD	EIGHTY-TWO-PLACE IN 21 3/8"
LD	EIGHTY-THREE-PLACE IN 21 1/2"
LD	EIGHTY-FOUR-PLACE IN 21 5/8"
LD	EIGHTY-FIVE-PLACE IN 21 3/4"
LD	EIGHTY-SIX-PLACE IN 21 7/8"
LD	EIGHTY-SEVEN-PLACE IN 22"
LD	EIGHTY-EIGHT-PLACE IN 22 1/8"
LD	EIGHTY-NINE-PLACE IN 22 1/4"
LD	NINETY-PLACE IN 22 3/8"
LD	NINETY-ONE-PLACE IN 22 1/2"
LD	NINETY-TWO-PLACE IN 22 5/8"
LD	NINETY-THREE-PLACE IN 22 3/4"
LD	NINETY-FOUR-PLACE IN 22 7/8"
LD	NINETY-FIVE-PLACE IN 23"
LD	NINETY-SIX-PLACE IN 23 1/8"
LD	NINETY-SEVEN-PLACE IN 23 1/4"
LD	NINETY-EIGHT-PLACE IN 23 3/8"
LD	NINETY-NINE-PLACE IN 23 1/2"
LD	HUNDRED-PLACE IN 23 5/8"
LD	HUNDRED-ONE-PLACE IN 23 3/4"
LD	HUNDRED-TWO-PLACE IN 23 7/8"
LD	HUNDRED-THREE-PLACE IN 24"
LD	HUNDRED-FOUR-PLACE IN 24 1/8"
LD	HUNDRED-FIVE-PLACE IN 24 1/4"
LD	HUNDRED-SIX-PLACE IN 24 3/8"
LD	HUNDRED-SEVEN-PLACE IN 24 1/2"
LD	HUNDRED-EIGHT-PLACE IN 24 5/8"
LD	HUNDRED-NINE-PLACE IN 24 3/4"
LD	HUNDRED-TEN-PLACE IN 24 7/8"
LD	HUNDRED-ELEVEN-PLACE IN 25"
LD	HUNDRED-TWELVE-PLACE IN 25 1/8"
LD	HUNDRED-THIRTEEN-PLACE IN 25 1/4"
LD	HUNDRED-FOURTEEN-PLACE IN 25 3/8"
LD	HUNDRED-FIFTEEN-PLACE IN 25 1/2"
LD	HUNDRED-SIXTEEN-PLACE IN 25 5/8"
LD	HUNDRED-SEVENTEEN-PLACE IN 25 3/4"
LD	HUNDRED-EIGHTEEN-PLACE IN 25 7/8"
LD	HUNDRED-NINETEEN-PLACE IN 26"
LD	HUNDRED-TWENTY-PLACE IN 26 1/8"
LD	HUNDRED-TWENTY-ONE-PLACE IN 26 1/4"
LD	HUNDRED-TWENTY-TWO-PLACE IN 26 3/8"
LD	HUNDRED-TWENTY-THREE-PLACE IN 26 1/2"
LD	HUNDRED-TWENTY-FOUR-PLACE IN 26 5/8"
LD	HUNDRED-TWENTY-FIVE-PLACE IN 26 3/4"
LD	HUNDRED-TWENTY-SIX-PLACE IN 26 7/8"
LD	HUNDRED-TWENTY-SEVEN-PLACE IN 27"
LD	HUNDRED-TWENTY-EIGHT-PLACE IN 27 1/8"
LD	HUNDRED-TWENTY-NINE-PLACE IN 27 1/4"
LD	HUNDRED-THIRTY-PLACE IN 27 3/8"
LD	HUNDRED-THIRTY-ONE-PLACE IN 27 1/2"
LD	HUNDRED-THIRTY-TWO-PLACE IN 27 5/8"
LD	HUNDRED-THIRTY-THREE-PLACE IN 27 3/4"
LD	HUNDRED-THIRTY-FOUR-PLACE IN 27 7/8"
LD	HUNDRED-THIRTY-FIVE-PLACE IN 28"
LD	HUNDRED-THIRTY-SIX-PLACE IN 28 1/8"
LD	HUNDRED-THIRTY-SEVEN-PLACE IN 28 1/4"
LD	HUNDRED-THIRTY-EIGHT-PLACE IN 28 3/8"
LD	HUNDRED-THIRTY-NINE-PLACE IN 28 1/2"
LD	FOURTY-FOUR-PLACE IN 28 5/8"
LD	FOURTY-FIVE-PLACE IN 28 3/4"
LD	FOURTY-SIX-PLACE IN 28 7/8"
LD	FOURTY-SEVEN-PLACE IN 29"
LD	FOURTY-EIGHT-PLACE IN 29 1/8"
LD	FOURTY-NINE-PLACE IN 29 1/4"
LD	FIFTY-PLACE IN 29 3/8"
LD	FIFTY-ONE-PLACE IN 29 1/2"
LD	FIFTY-TWO-PLACE IN 29 5/8"
LD	FIFTY-THREE-PLACE IN 29 3/4"
LD	FIFTY-FOUR-PLACE IN 29 7/8"
LD	FIFTY-FIVE-PLACE IN 30"
LD	FIFTY-SIX-PLACE IN 30 1/8"
LD	FIFTY-SEVEN-PLACE IN 30 1/4"
LD	FIFTY-EIGHT-PLACE IN 30 3/8"
LD	FIFTY-NINE-PLACE IN 30 1/2"
LD	SIXTY-PLACE IN 30 5/8"
LD	SIXTY-ONE-PLACE IN 30 3/4"
LD	SIXTY-TWO-PLACE IN 30 7/8"
LD	SIXTY-THREE-PLACE IN 31"
LD	SIXTY-FOUR-PLACE IN 31 1/8"
LD	SIXTY-FIVE-PLACE IN 31 1/4"
LD	SIXTY-SIX-PLACE IN 31 3/8"
LD	SIXTY-SEVEN-PLACE IN 31 1/2"
LD	SIXTY-EIGHT-PLACE IN 31 5/8"
LD	SIXTY-NINE-PLACE IN 31 3/4"
LD	SEVENTY-PLACE IN 31 7/8"
LD	SEVENTY-ONE-PLACE IN 32"
LD	SEVENTY-TWO-PLACE IN 32 1/8"
LD	SEVENTY-THREE-PLACE IN 32 1/4"
LD	SEVENTY-FOUR-PLACE IN 32 3/8"
LD	SEVENTY-FIVE-PLACE IN 32 1/2"
LD	SEVENTY-SIX-PLACE IN 32 5/8"
LD	SEVENTY-SEVEN-PLACE IN 32 3/4"
LD	SEVENTY-EIGHT-PLACE IN 32 7/8"
LD	SEVENTY-NINE-PLACE IN 33"
LD	EIGHTY-PLACE IN 33 1/8"
LD	EIGHTY-ONE-PLACE IN 33 1/4"
LD	EIGHTY-TWO-PLACE IN 33 3/8"
LD	EIGHTY-THREE-PLACE IN 33 1/2"
LD	EIGHTY-FOUR-PLACE IN 33 5/8"
LD	EIGHTY-FIVE-PLACE IN 33 3/4"
LD	EIGHTY-SIX-PLACE IN 33 7/8"
LD	EIGHTY-SEVEN-PLACE IN 34"
LD	EIGHTY-EIGHT-PLACE IN 34 1/8"
LD	EIGHTY-NINE-PLACE IN 34 1/4"
LD	NINETY-PLACE IN 34 3/8"
LD	NINETY-ONE-PLACE IN 34 1/2"
LD	NINETY-TWO-PLACE IN 34 5/8"
LD	NINETY-THREE-PLACE IN 34 3/4"
LD	NINETY-FOUR-PLACE IN 34 7/8"
LD	NINETY-FIVE-PLACE IN 35"
LD	NINETY-SIX-PLACE IN 35 1/8"
LD	NINETY-SEVEN-PLACE IN 35 1/4"
LD	NINETY-EIGHT-PLACE IN 35 3/8"
LD	NINETY-NINE-PLACE IN 35 1/2"
LD	HUNDRED-PLACE IN 35 5/8"
LD	HUNDRED-ONE-PLACE IN 35 3/4"
LD	HUNDRED-TWO-PLACE IN 35 7/8"
LD	HUNDRED-THREE-PLACE IN 36"
LD	HUNDRED-FOUR-PLACE IN 36 1/8"
LD	HUNDRED-FIVE-PLACE IN 36 1/4"
LD	HUNDRED-SIX-PLACE IN 36 3/8"
LD	HUNDRED-SEVEN-PLACE IN 36 1/2"
LD	HUNDRED-EIGHT-PLACE IN 36 5/8"
LD	HUNDRED-NINE-PLACE IN 36 3/4"
LD	HUNDRED-TEN-PLACE IN 36 7/8"
LD	HUNDRED-ELEVEN-PLACE IN 37"
LD	HUNDRED-TWELVE-PLACE IN 37 1/8"
LD	HUNDRED-THIRTEEN-PLACE IN 37 1/4"
LD	HUNDRED-FOURTEEN-PLACE IN 37 3/8"
LD	HUNDRED-FIFTEEN-PLACE IN 37 1/2"
LD	HUNDRED-SIXTEEN-PLACE IN 37 5/8"
LD	HUNDRED-SEVENTEEN-PLACE IN 37 3/4"
LD	HUNDRED-EIGHTEEN-PLACE IN 37 7/8"
LD	HUNDRED-NINETEEN-PLACE IN 38"
LD	HUNDRED-TWENTY-PLACE IN 38 1/8"
LD	

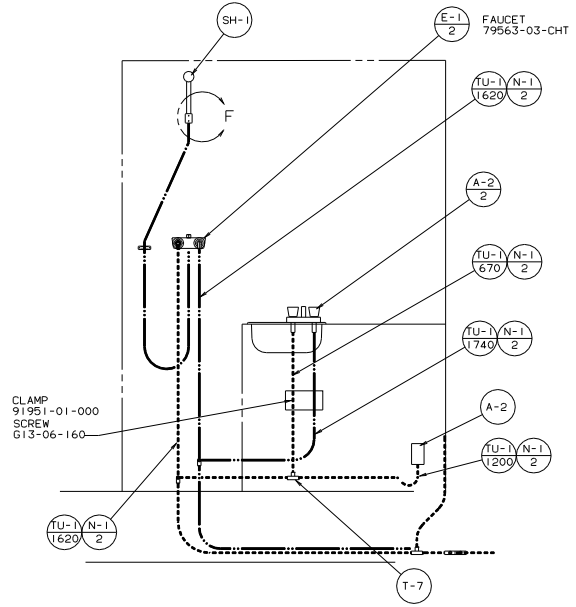


NO	PART NUMBER	DESCRIPTION	QTY
W-1	91208-01-000	WASHER	1
V-6	110438-01-000	VALVE-CHECK, BRASS	1
V-5	77054-01-000	VALVE-1/2MPT X 1/2MPT X 1/4COMP	1
V-4	52960-03-000	VALVE-LINE DRAIN, 5/8FLX/8FL 16"	1
V-3	52960-02-000	VALVE-LINE DRAIN, 1/2FL X 1/2FL 16"	1
V-2	52960-01-000	VALVE-LINE DRAIN, 1/2FL X 1/2FL	3
V-1	46128-01-000	VALVE-DRAIN, 1/2FPT X 1/2FPT	1
TU-5	39800-04-000	TUBING-1/4"	455
TU-4	79381-01-000	TUBING-1 1/4" ID	286
TU-3	74462-02-000	TUBING-3/8"	285
TU-2	39800-02-000	TUBING-5/8"	230
TU-1	39800-01-000	TUBING-1/2"	31495
T-18	3217-01-000	TEE-SWIVEL, 1/2FLX1/2FLX1/2FPT	1
T-17	52961-05-000	TEE-1/2MPTX1/2FLX 1/2FL X 1/2FL	1
T-16	74463-02-000	TEE-1/2FLX1/2MPTX 1/2FL X 1/2FL	1
T-15	74463-01-000	TEE-1/2FLX 1/2FL X 1/2FL X 1/2FL	1
T-14	57974-01-000	TEE-5/8FL X 1/2FL X 1/2FL	3
T-13	57973-01-000	TEE-1/2FL X 1/2FL X 5/8FL	1
T-12	52959-02-000	TEE-1/2FL X 1/2MPT X 5/8FL	1
T-11	52959-01-000	TEE-5/8FL X 1/2MPT X 1/2FL	1
T-10	52959-01-000	TEE-5/8FL X 1/2FL X 5/8FL	1
T-9	52952-01-000	TEE-5/8FL X 5/8FL X 1/2FL	1
T-8	52951-01-000	TEE-5/8FL X 5/8FL X 5/8FL	1
T-7	52958-01-000	TEE-1/2FL X 1/2FL X 1/2FL	10
T-6	52956-02-000	TEE-5/8FL X 1/2MPT X 5/8FL	1
T-5	52956-01-000	TEE-1/2FL X 1/2MPT X 1/2FL	1
T-4	52955-02-000	TEE-5/8FL X 5/8FL 1/2MPT	1
T-3	52955-02-000	TEE-5/8FL X 5/8FL X 3/4MPT	1
T-2	52955-01-000	TEE-1/2FL X 1/2FL X 1/2MPT	6
T-1	39798-01-000	TEE-1/2MPT X 1/2MPT X 1/2MPT	1
SH-1	103092-01-000	SHOWER HEAD	1
		SHOWER HEAD(CAN)	1
PW-1	98607-01-000	PUMP-WATER	1
N-3	52953-01-000	NUT-FAUCET, 1/2" FPT	1
N-2	52952-02-000	NUT-5/8"	1
N-1	52952-01-000	NUT-1/2" FL	85
H-5	74463-04-000	HEADER-1/2MPTX1/2MPTX1/2FLX1/2FL	1
H-4	74463-05-000	HEADER-1/2MPTX1/2FLX1/2FLX1/2FL	1
H-3	52961-03-000	HDR-DRN, 1/2MPTX1/2FLX1/2FLX1/2FL 16"	1
H-2	52961-02-000	HEADER-DRN, 1/2MPTX1/2FLX1/2FLX1/2FL	1
H-1	52961-01-000	HEADER-DRAIN, 1/2FLX1/2FLX1/2FLX1/2FL	1
F-5	77954-02-000	FILTER-SCREEN-WATER, IN-TANK	2
F-4	81249-03-CHT	FILL-WATER, LOCKABLE	1
F-3	110915-01-CHT	FILL-CITY	1
F-2	79563-03-CHT	FAUCET-SHOWER	1
F-1	103106-01-000	FAUCET-EXTERNAL WATER 90°	1
E-11	10219-01-000	ELBOW-PLAS 1 1/4MPTX1 1/4BARB	1
E-10	39808-03-000	ELBOW-1/2MPT X 1/2MPT	1
E-9	57457-02-000	ELBOW-5/8FL X 5/8FL	1
E-8	57457-01-000	ELBOW-1/2FL X 1/2FL	7
E-7	52990-01-000	ELBOW-1/2MPT X 5/8FL	2
E-6	52957-04-000	ELBOW-3/4MPT X 5/8FL	1
E-5	52957-03-000	ELBOW-1/4MPT X 1/2FL	1
E-4	52957-02-000	ELBOW-1/2MPT X 1/2FL	2
E-3	52957-01-000	ELBOW-3/8MPT X 1/2FL	3
E-2	70924-01-000	ELBOW-SWIVEL, 1/2MPT X 1/2FPT	1
E-1	65120-01-000	ELBOW-SWIVEL, 1/2FL X 1/2FPT	9
CU-2	101814-02-000	COUPLING-FEMALE 1/2FPT X 1/2FPT	1
CU-1	101814-01-000	COUPLING-FEMALE 1/2FPT X 1/2FPT	4
C-6	103798-01-000	CONNECTOR 1/4 OD X 3/8 MPT	1
C-5	98417-01-000	CONNECTOR-5/8FL X 1/2MPT	1
C-4	52994-01-000	CONNECTOR-1/2FL X 5/8FL	1
C-3	52959-03-000	CONNECTOR-1/2FL X 3/8MPT	1
C-2	52959-02-000	CONNECTOR-1/2FL X 1/2MPT	2
C-1	52959-01-000	CONNECTOR-1/2FL X 1/4MPT	1
CA-1	106217-01-CHT	COMPARTMENT ASM-SHOWER, EXT	1
CH-2	7161-01-000	CLAMP-HOSE, SPRING	1
CH-1	62401-02-000	CLAMP-HOSE, 1 1/2 - 2 1/2	1
CF-5	106258-02-000	CAP-INSERTABLE FLARE, 5/8"	1
CF-4	106258-01-000	CAP-INSERTABLE FLARE, 1/2"	3
A-6	112177-01-000	ADAPTER-BRASS, 1/2MPTX1/2BARB	1
A-5	10224-01-000	ADAPTER-3/8 MPT X 3/8 BARB	1
A-4	44927-01-000	ADAPTER-1 1/4 MPT X 1 1/4 BARB	1
A-3	98420-01-000	ADAPTER-SWIVEL, 5/8FL X 1/2FPT	1
A-2	79317-01-000	ADAPTER-SWIVEL, 1/2FL X 1/2FPT	3
A-1	52954-01-000	ADAPTER-NOSE CONE	1

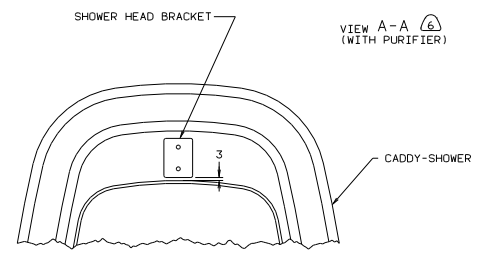
- ⚠ USE WITH TWIN BED.
 - ⚠ USE WITH DOUBLE CONTROL FAUCET.
 - ⚠ USE WITH SINGLE CONTROL FAUCET.
 - ⚠ LOCATE LUMBER TO SUPPORT WATER HEATER.
3. ALL TUBING TO BE SECURED AT 1200 INTERVALS MAX WITH CLIP 91951-01-000 AND SCREW G13-06-16U.
 2. TUBING TO BE INSTALLED WITH SUFFICIENT SLOPE TO PROVIDE DRAINAGE TO NEAREST VALVE.
 1. PLASTIC FITTINGS TO BE SEALED WITH SEALANT 84456-01-000.

LEGEND
 HOT: ———
 COLD: - - - - -

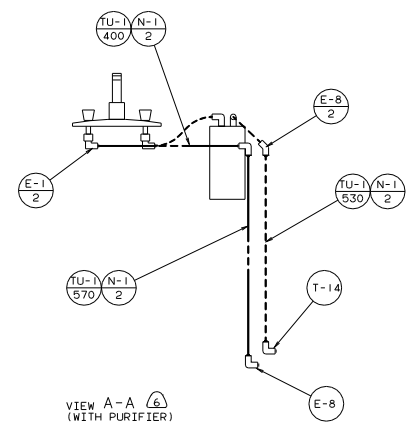
WINNENAGO
 WATER SYSTEM INSTL
 REF: 104739
 SHEET 1 OF 4
 111981



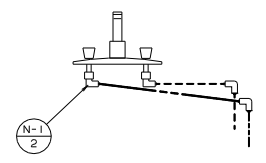
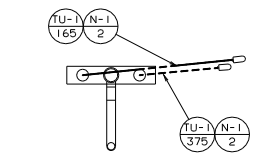
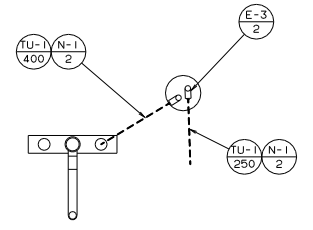
VIEW B-B



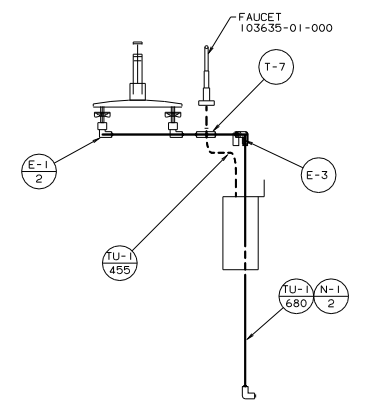
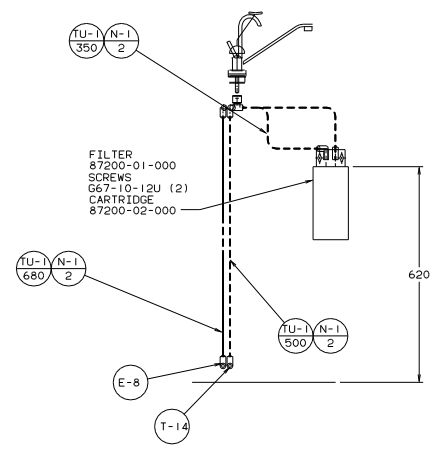
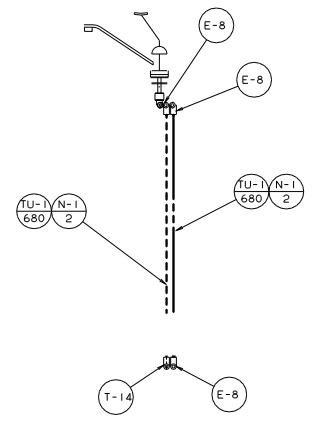
DETAIL F



VIEW A-A (WITH PURIFIER)

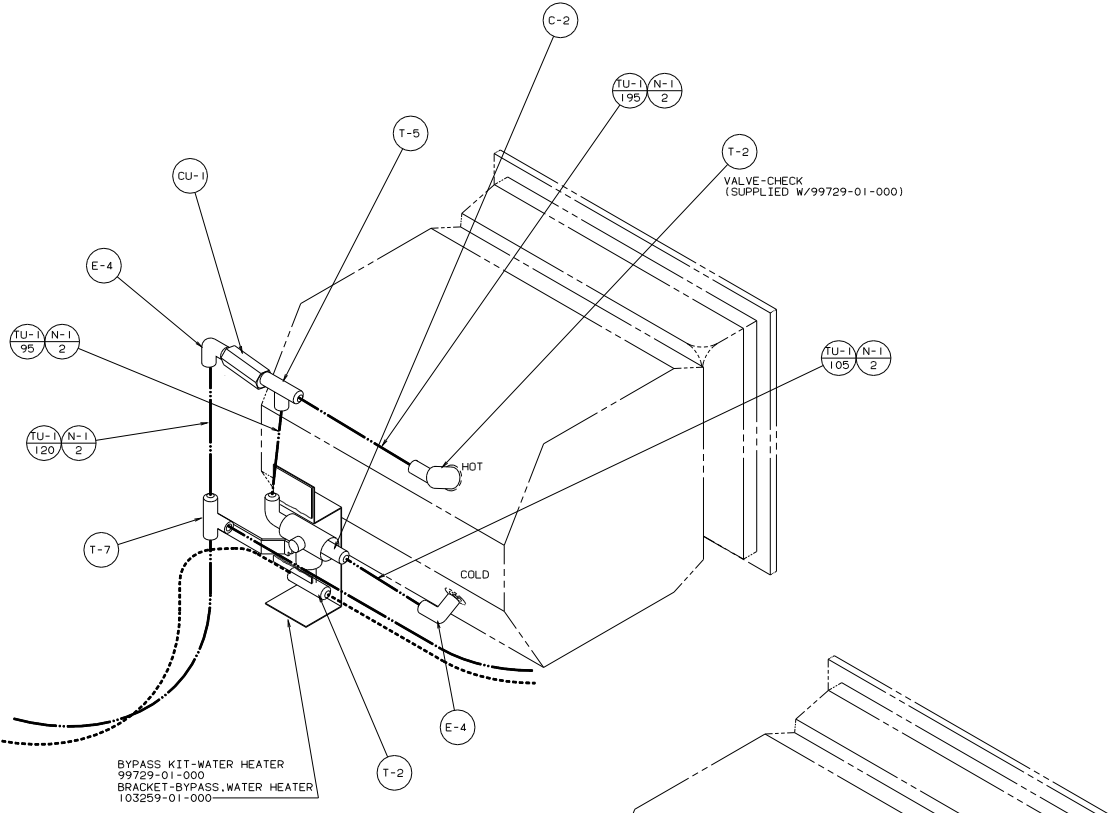


VIEW A-A (W/OUT PURIFIER)

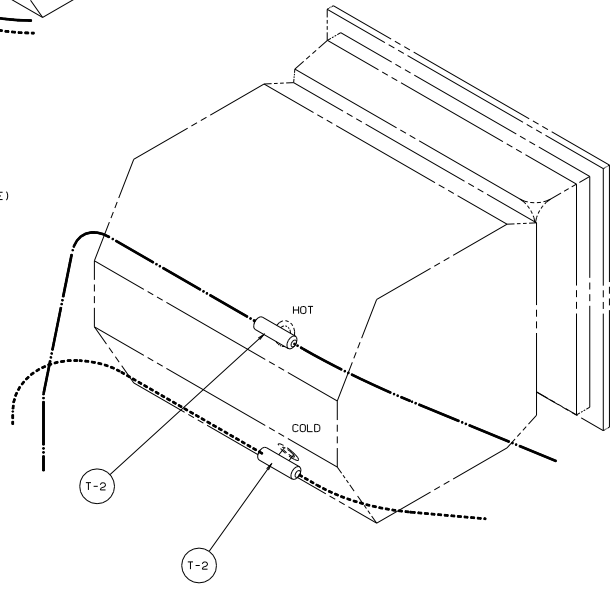


VIEW A-A (WITH PURIFIER)

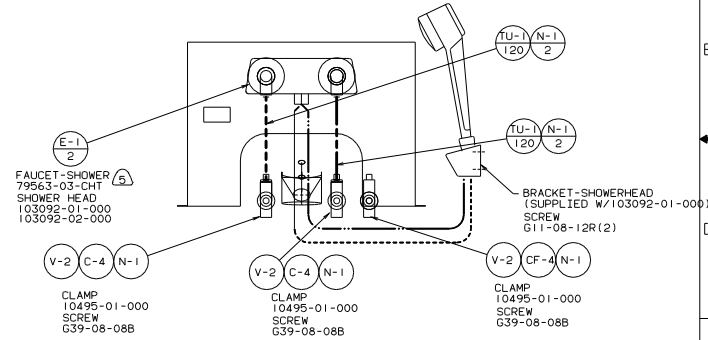
TITLE: WATER SYSTEM INSTL			
30 NET SCALE DRAWING	SIZE 1/4"	DWG NO 111981	
SHEET 2 OF 4	FILE		



VIEW D-D (WITH BYPASS VALVE)



VIEW D-D (WITHOUT BYPASS)



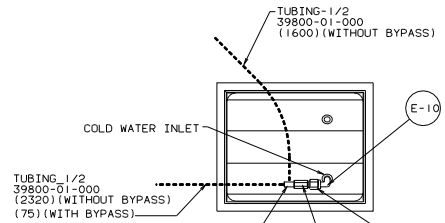
FAUCET-SHOWER 79563-03-CHT
 SHOWER HEAD 103092-01-000
 103092-02-000

BRACKET-SHOWERHEAD (SUPPLIED W/103092-01-000)
 SCREW G11-08-12R (2)

CLAMP 10495-01-000
 SCREW G39-08-08B

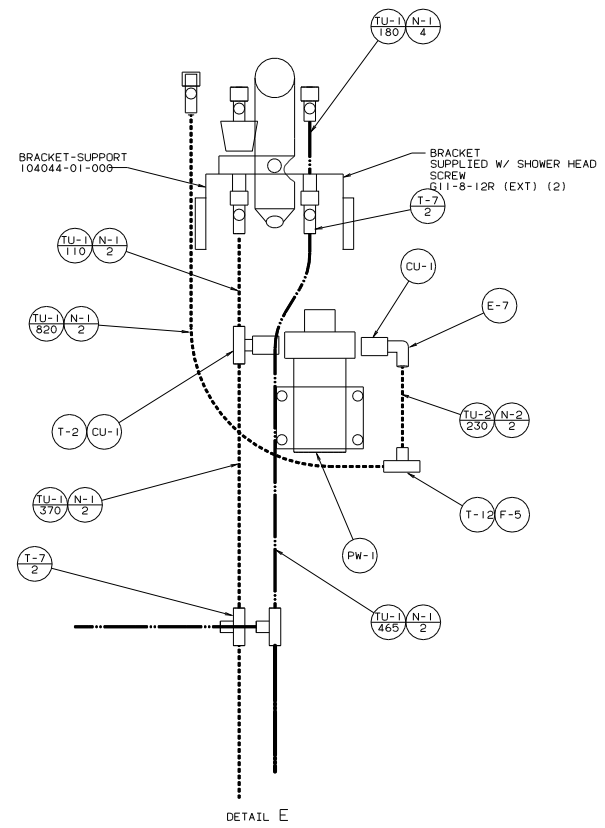
CLAMP 10495-01-000
 SCREW G39-08-08B

CLAMP 10495-01-000
 SCREW G39-08-08B



VIEW D-D WITH MOTOR AID (COLD WATER)

TITLE: WATER SYSTEM INSTL	
30 NET SCALE Drawing	111981
SHEET 3 of 4	1 E



TITLE: WATER SYSTEM INSTL	
30 NET SCALE DRAWING	DATE
SHEET 4 of 4	DWG NO 111981