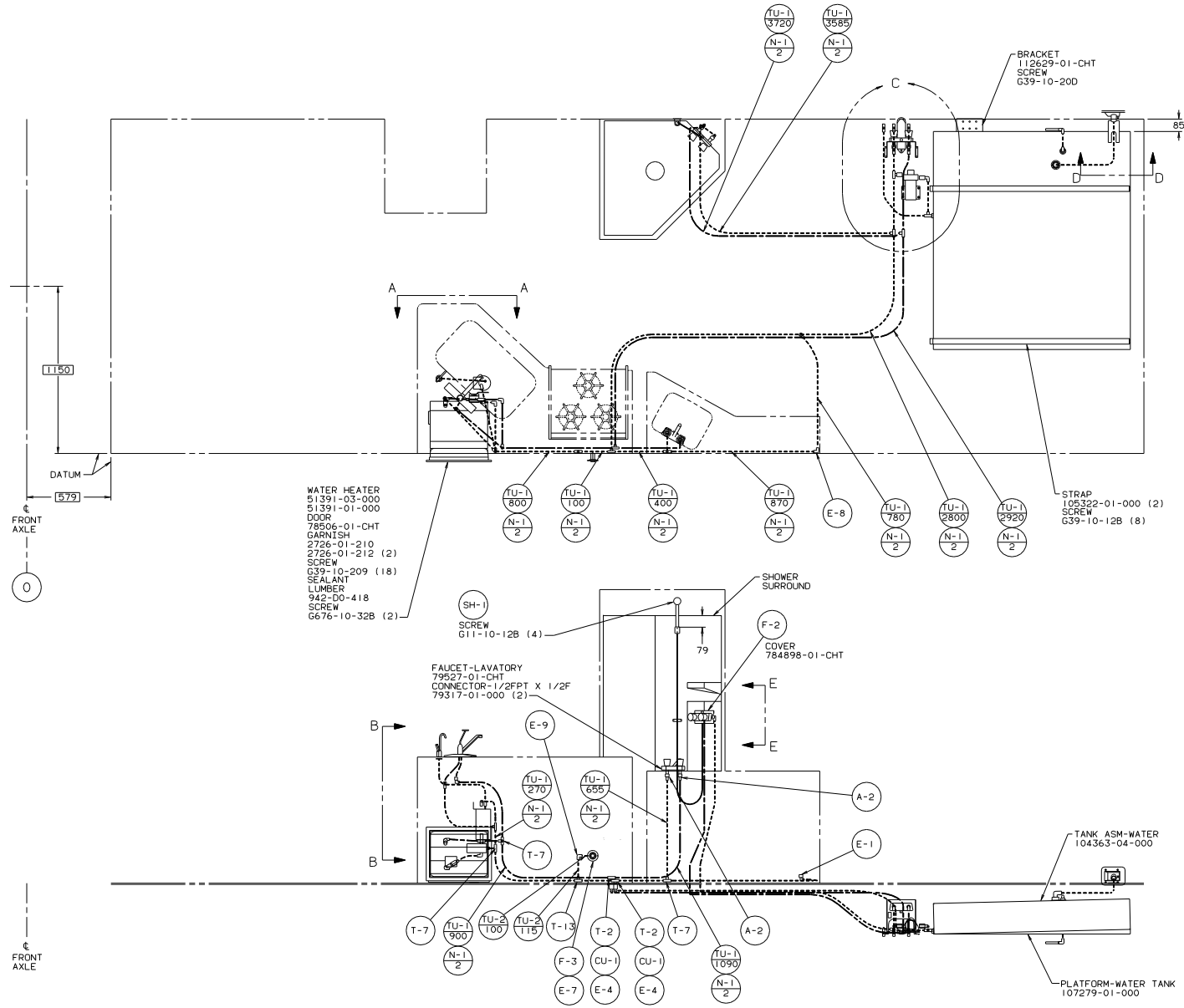


- (1) NOT USED ON CANADIAN UNITS.
 10. TRIM P-TRAP EXTENSION TO FIT.
 (2) SECURE VENT TUBES TO FLOOR.
 (3) VENT PIPE MUST PROJECT 51 MM MIN AND 63.5 MM MAX ABOVE ROOF FOR PROPER FIT AND FUNCTION.
 (7) SEE DWG 61607-01-000 FOR INSTL OF GROMMET.
 6. FOR CAN UNITS EACH HOLDING TANK SHALL HAVE A CSA APPROVAL STAMPED NEAR THE IAPMO APPROVAL.
 5. EXPOSED PIPE ABOVE ROOF TO BE PAINTED 37163-01-000.
 4. ALL EXTERIOR OPENINGS AROUND PIPE TO BE SEALED WITH 69637-01-000.
 3. ALL PIPE AND FITTINGS TO BE ASSEMBLED WITH SOLVENT 4020-01-000.
 2. SLOPE OF TRAP ARM MUST BE 6 PER 305.
 1. SLOPE OF HORIZONTAL PIPING TO BE 6 PER 305 MIN.

(X-X) FOR DRAINAGE CALLOUTS SEE DWG NO. 116229-01-000

WINNERAGO 94 G29R0	
OPTN	UNSPECIFIED TOLERANCES ARE MATERIAL
CHRP	WHOLE DIM. (1) 1:1
FR	ONE-PLACE (19.81)
FR	TWO-PLACE (19.81)
FR	ANGLE
CDR	TROD: WHOLE PROJECTION
LARNT G29R04	TITLE: DRAINAGE SYSTEM INSTL
REV #	SCALE 0:1
ALL DIMENSIONS ARE IN MILLIMETERS	SHEET 1 OF 1
DATE	111250



NO	PART NUMBER	DESCRIPTION	QTY
W-1	91208-01-000	WASHER	.
V-6	110438-01-000	VALVE-CHECK, BRASS	5
V-5	77054-01-000	VALVE-1/2MPT X 1/2MPT X 1/4COMP	.
V-4	52960-03-000	VALVE-LINE DRAIN, 5/8FL X 5/8FL 16"	.
V-3	52960-02-000	VALVE-LINE DRAIN, 1/2F X 1/2F 16"	.
V-2	52960-01-000	VALVE-LINE DRAIN, 1/2F X 1/2F	4
V-1	46128-01-000	VALVE-DRAIN, 1/2FPT X 1/2FPT	.
TU-5	39800-04-000	TUBING-1/4"	.
TU-4	79381-01-000	TUBING-1/4" ID	775
TU-3	74462-02-000	TUBING-3/8"	.
TU-2	39800-02-000	TUBING-5/8"	580
TU-1	39800-01-000	TUBING-1/2"	30890
T-18	33217-01-000	TEE-SWIVEL, 1/2FLX1/2FLX1/2FPT	.
T-17	52961-05-000	TEE-1/2MPTX1/2FLX 1/2FL X 1/2FL	.
T-16	74463-02-000	TEE-1/2FLX1/2MPTX 1/2FL X 1/2FL	.
T-15	74463-01-000	TEE-1/2FLX 1/2FL X 1/2FL X 1/2FL	.
T-14	57974-01-000	TEE-5/8FL X 1/2FL X 1/2FL	.
T-13	57973-01-000	TEE-1/2FL X 1/2FL X 5/8FL	.
T-12	52959-02-000	TEE-1/2FL X 1/2MPT X 5/8FL	1
T-11	52959-01-000	TEE-5/8FL X 1/2MPT X 1/2FL	.
T-10	52959-01-000	TEE-5/8FL X 1/2FL X 5/8FL	.
T-9	52952-01-000	TEE-5/8FL X 5/8FL X 1/2FL	.
T-8	52991-01-000	TEE-5/8FL X 5/8FL X 5/8FL	.
T-7	52958-01-000	TEE-1/2FL X 1/2FL X 1/2FL	8
T-6	52956-02-000	TEE-5/8FL X 1/2MPT X 5/8FL	.
T-5	52956-01-000	TEE-1/2FL X 1/2MPT X 1/2FL	1
T-4	52955-01-000	TEE-5/8FL X 5/8FL X 1/2MPT	.
T-3	52955-02-000	TEE-5/8FL X 5/8FL X 3/4MPT	.
T-2	52955-01-000	TEE-1/2FL X 1/2FL X 1/2MPT	2
T-1	37978-01-000	TEE-1/2FL X 1/2MPT X 1/2MPT	1
SH-1	103092-01-000	SHOWER HEAD	.
	103092-02-000	SHOWER HEAD(CAN)	.
PW-1	98607-01-000	PUMP-WATER	1
N-3	52953-01-000	NUT-FAUCET, 1/2"FPPT	1
N-2	52952-02-000	NUT-5/8"	1
N-1	52952-01-000	NUT-1/2" FL	107
H-5	74463-04-000	HEADER-1/2MPTX1/2MPTX1/2FLX1/2FL	.
H-4	74463-05-000	HEADER-1/2MPTX1/2FLX1/2FLX1/2FL	.
H-3	52961-03-000	HDR-DRN, 1/2MPTX1/2FX1/2FX1/2F 16"	.
H-2	52961-02-000	HEADER-DRN, 1/2MPTX1/2FX1/2FX1/2F	.
H-1	52961-01-000	HEADER-DRAIN, 1/2FX1/2FX1/2FX1/2F	.
F-5	77954-02-000	FILTER-SCREEN-WATER, IN-TANK	1
F-4	81249-03-CHT	FILL-WATER, LOCKABLE	1
F-3	110915-01-CHT	FILL-CITY	1
F-2	79563-03-CHT	FAUCET-SHOWER	1
F-1	103106-01-000	FAUCET-EXTERNAL WATER 90°	1
E-11	10219-01-000	ELBOW-PLAS 1/4MPTX1/4BARB	1
E-10	39808-03-000	ELBOW-1/2MPT X 1/2MPT	4
E-9	57457-02-000	ELBOW-5/8FL X 5/8FL	2
E-8	57457-01-000	ELBOW-1/2FL X 1/2FL	7
E-7	52990-01-000	ELBOW-1/2MPT X 5/8FL	7
E-6	52957-04-000	ELBOW-3/4MPT X 5/8FL	1
E-5	52957-03-000	ELBOW-1/4MPT X 1/2FL	.
E-4	52957-02-000	ELBOW-1/2MPT X 1/2FL	9
E-3	52957-01-000	ELBOW-3/8MPT X 1/2FL	2
E-2	70924-01-000	ELBOW-SWIVEL, 1/2MPT X 1/2FPT	10
E-1	65120-01-000	ELBOW-SWIVEL, 1/2FL X 1/2FPT	.
CU-2	101814-02-000	COUPLING-FEMALE 1/2FPT X 1/2FPT	.
CU-1	101814-01-000	COUPLING-FEMALE 1/2FPT X 1/2FPT	10
C-6	103798-01-000	CONNECTOR 1/4 OD X 3/8 MPT	1
C-5	98417-01-000	CONNECTOR-5/8FL X 1/2MPT	1
C-4	52994-01-000	CONNECTOR-1/2FL X 5/8FL	1
C-3	52959-03-000	CONNECTOR-1/2FL X 3/8MPT	1
C-2	52959-02-000	CONNECTOR-1/2FL X 1/2MPT	4
C-1	52959-01-000	CONNECTOR-1/2FL X 1/4MPT	1
CA-1	106217-01-CHT	COMPARTMENT ASM-SHOWER, EXT	.
CH-2	7161-01-000	CLAMP-HOSE, SPRING	.
CH-1	62401-02-000	CLAMP-HOSE, 1 1/2 x 2 1/2	2
CF-5	106258-02-000	CAP-INSERTABLE FLARE, 5/8"	2
CF-4	106258-01-000	CAP-INSERTABLE FLARE, 1/2"	3
A-6	112177-01-000	ADAPTER-BASS, 1/2MPTX1/2BARB	.
A-5	10224-01-000	ADAPTER-3/8 MPT X 3/8 BARB	.
A-4	44927-01-000	ADAPTER-1 1/4 MPT X 1 1/4 BARB	.
A-3	98420-01-000	ADAPTER-SWIVEL, 5/8FL X 1/2FPT	.
A-2	79317-01-000	ADAPTER-SWIVEL, 1/2FL X 1/2FPT	2
A-1	52954-01-000	ADAPTER-NOSE CONE	.

- ① USE WITH DOUBLE CONTROL FAUCET.
 - ② USE WITH SINGLE CONTROL FAUCET.
 - ③ USE WITHOUT EXTERIOR SHOWER.
 - ④ USE WITH EXTERIOR SHOWER.
3. ALL TUBING TO BE SECURED AT 1200 INTERVALS MAXIMUM WITH CLAMP 10495-01-000 OR CLIP 91951-01-000 AND SCREW G67-10-12B.
2. TUBING TO BE INSTALLED WITH SUFFICIENT SLOPE TO PROVIDE DRAINAGE TO NEAREST VALVE.
1. PLASTIC FITTINGS TO BE SEALED WITH SEALANT 84456-01-000.

LEGEND	
HOT	-----
COLD	-----

WINNEMAGO 94 G29R0

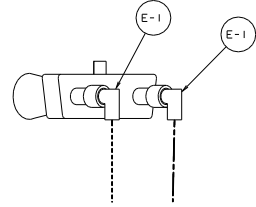
UNSPECIFIED TOLERANCES ARE: MATERIAL: .0015" UNLESS OTHERWISE SPECIFIED.

DATE: 11/19/65

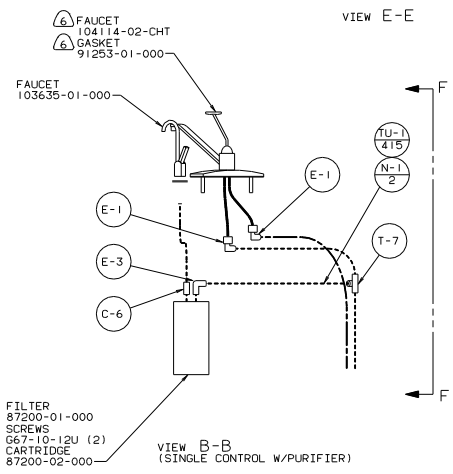
SCALE: 1/4" = 1'-0"

TITLE: WATER SYSTEM INSTL

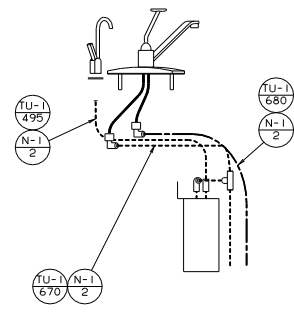
NO. 111965



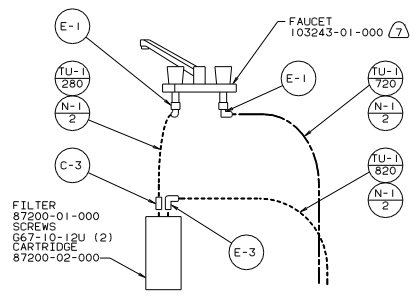
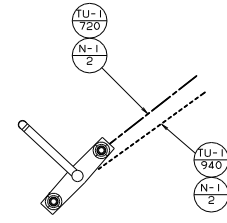
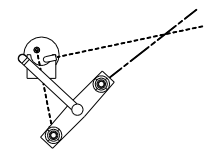
VIEW E-E



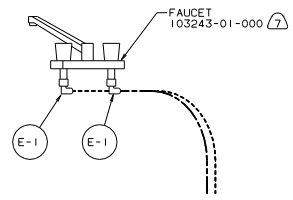
VIEW B-B (SINGLE CONTROL W/PURIFIER)



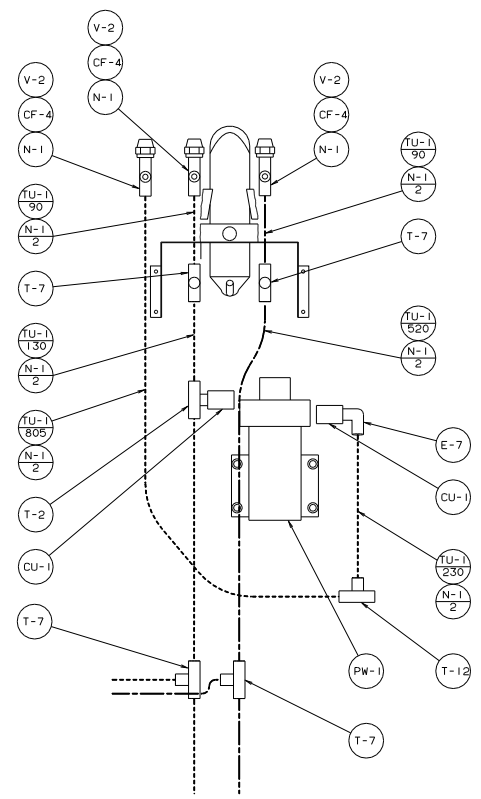
VIEW F-F



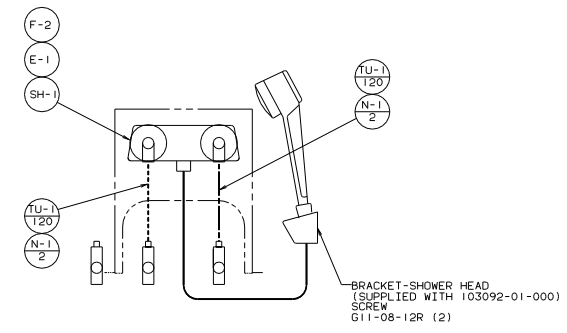
VIEW B-B (DUAL CONTROL W/PURIFIER)

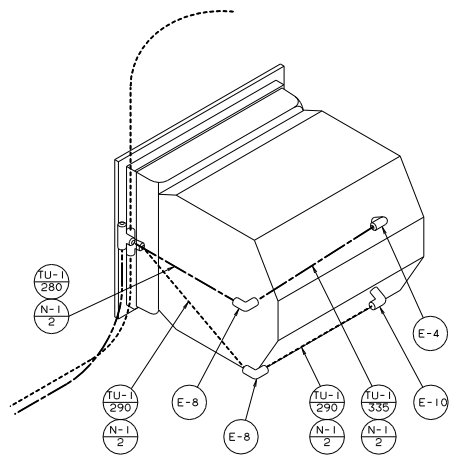


VIEW B-B (DUAL CONTROL W/O PURIFIER)

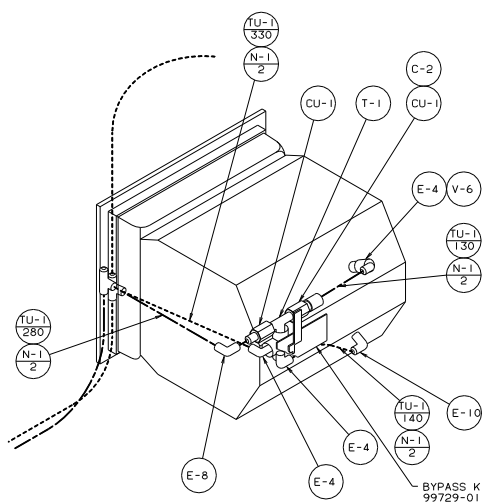


DETAIL C



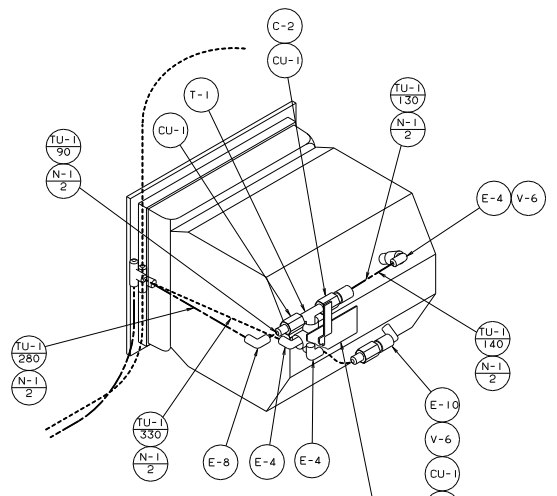


VIEW A-A
W/O BYPASS
W/O MOTORAID



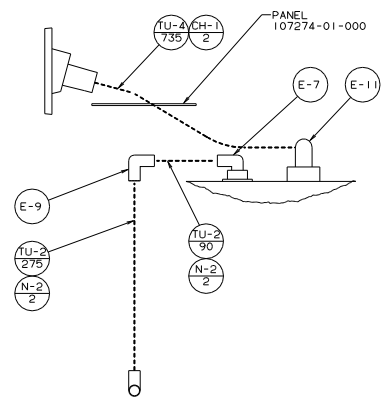
VIEW A-A
W/ BYPASS
W/O MOTORAID

BYPASS KIT-WATER
99729-01-000 (US)
99729-02-000 (CAN)
SCREW
G39-08-12B (2)

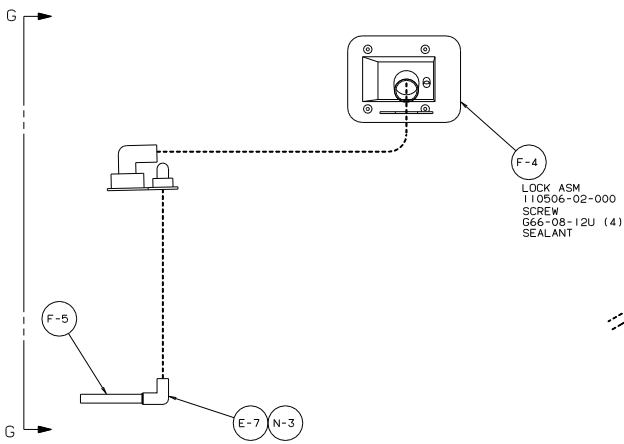


VIEW A-A
W/ BYPASS
W/ MOTORAID

BYPASS KIT-WATER
99729-01-000 (US)
99729-02-000 (CAN)
SCREW
G39-08-12B (2)

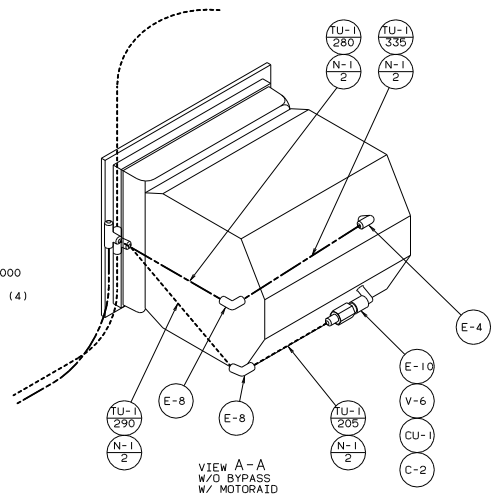


VIEW G-G



VIEW D-D

LOCK ASM
110506-02-000
SCREW
G66-08-12U (4)
SEALANT



VIEW A-A
W/O BYPASS
W/ MOTORAID