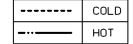
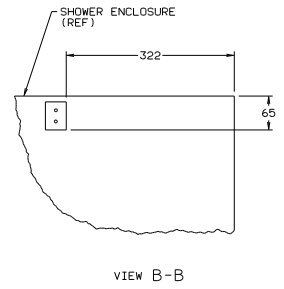
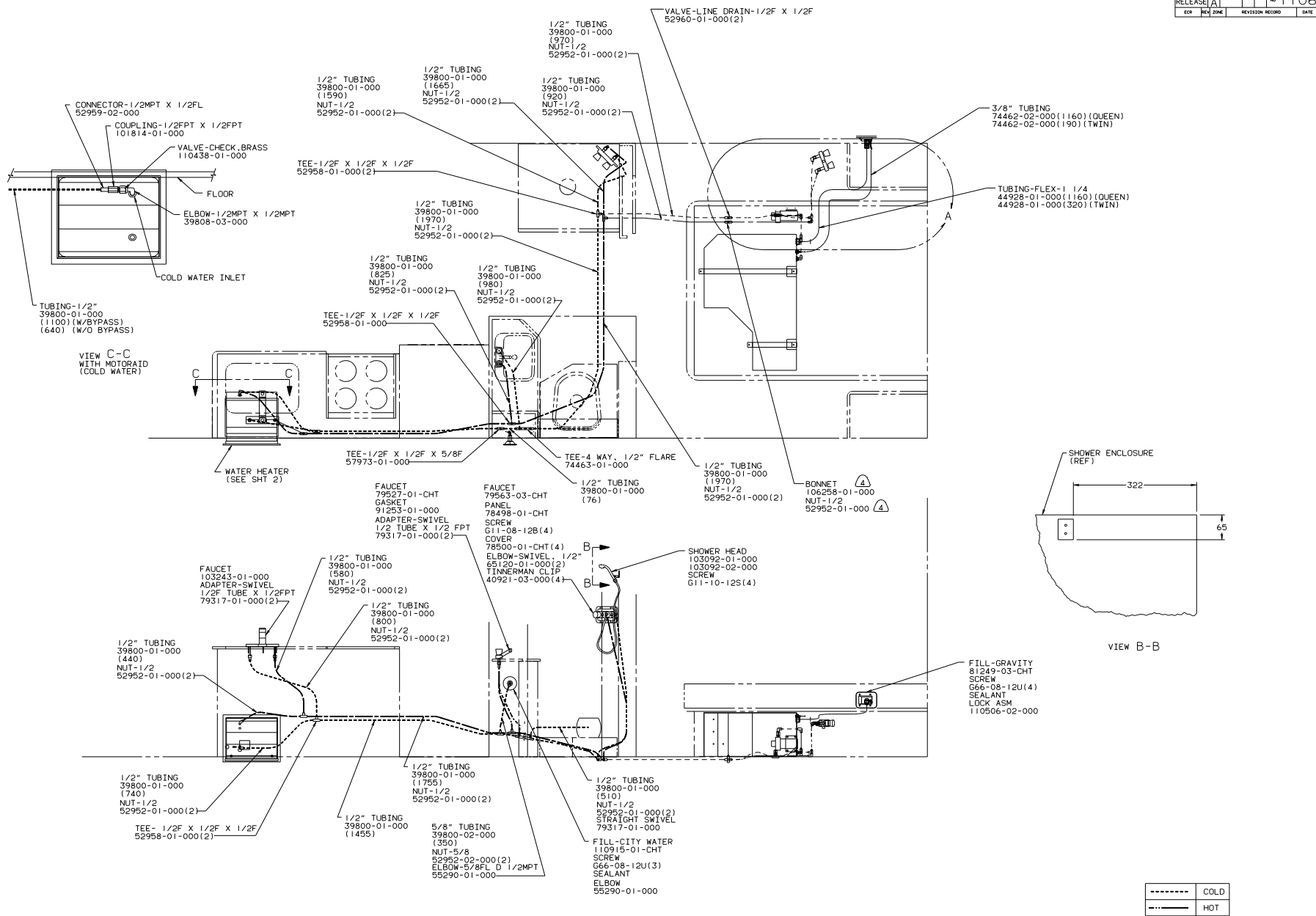


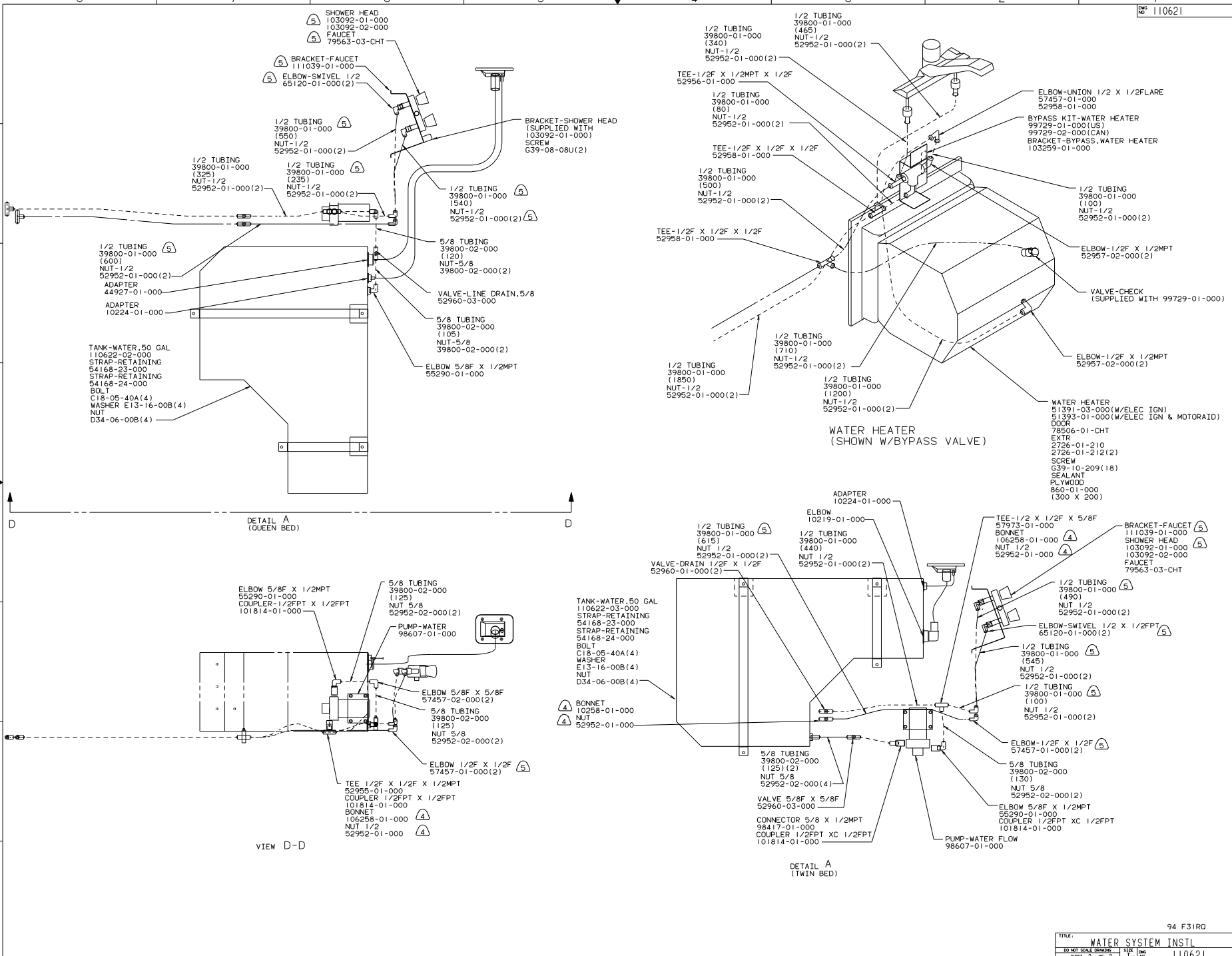
- Ⓐ VENT PIPE MUST PROJECT 51 MIN TO 64 MAX ABOVE ROOF FOR PROPER FIT AND FUNCTION.
- Ⓙ SEE DWG 61607-01-000 FOR INSTL OF GROMMET.
- Ⓚ SEAL ALL AROUND SHOWER PAN WITH SILICONE 78474-01-CHT.
- 5. FOR CANADIAN UNITS EACH HOLDING TANK SHALL HAVE A CSA APPROVAL STAMPED NEAR THE IAPMO APPROVAL.
- 4. ALL EXTERIOR OPENINGS AROUND PIPE TO BE SEALED WITH 69637-01-000.
- 3. ALL PIPE AND FITTINGS TO BE ASSEMBLED WITH SOLVENT 4020-01-000.
- 2. SLOPE OF TRAP MUST BE 6 PER 300 MINIMUM.
- 1. SLOPE OF HORIZONTAL PIPING TO BE 6 PER 300 MINIMUM.

WINNAPAC 94 F31RO	
QTY	UNSPECIFIED QUANTITIES ARE MATERIAL
CHP	W/ALL DIM IN 1/8"
PIE	W/ALL DIM IN 1/8"
W/E	W/ALL DIM IN 1/8"
CON	TRUSS W/ALL PROTECTION
LAINT NONE	TITLE: DRAINAGE SYSTEM INSTL
REV # SCALE NONE	DO NOT SCALE DIMENSIONS
ALL DIMENSIONS ARE IN MILLIMETERS	SHEET 1 OF 1
REF: 106181	111240



- Ⓐ REQUIRED WITH EXTERIOR SHOWER.
- Ⓐ REQUIRED WITHOUT EXTERIOR SHOWER.
- 3. ALL TUBING TO BE SECURED AT 1219 MAXIMUM SPACING WITH CLAMP 10495-01-000 AND SCREW G67-10-12B.
- 2. PLASTIC FITTINGS TO BE SEALED WITH SEALANT 84456-01-000.
- 1. TUBING TO BE INSTALLED WITH SUFFICIENT SLOPE TO PROVIDE DRAINAGE TO NEAREST VALVE.

WINNEMAGO 94 F31R0	
DATE	UNSPECIFIED TOLERANCES ARE:
CHRP	WHOLE DIM (IN) ± .1
F/IE	ONE-PLACE (IN.XI) ± .01
M/E	TWO-PLACE (IN.XXX) ± .005
CDR	ANGLE ± .5
	THIRD ANGLE PROJECTION
LAND # F31R04	TITLE: WATER SYSTEM INSTL
DIA # SCALE: NONE	DO NOT SCALE DRAWING
ALL DIMENSIONS ARE IN MILLIMETERS	SHEET 1 OF 2



DETAIL A (QUEEN BED)

WATER HEATER (SHOWN W/BYPASS VALVE)

VIEW D-D

DETAIL A (TWIN BED)