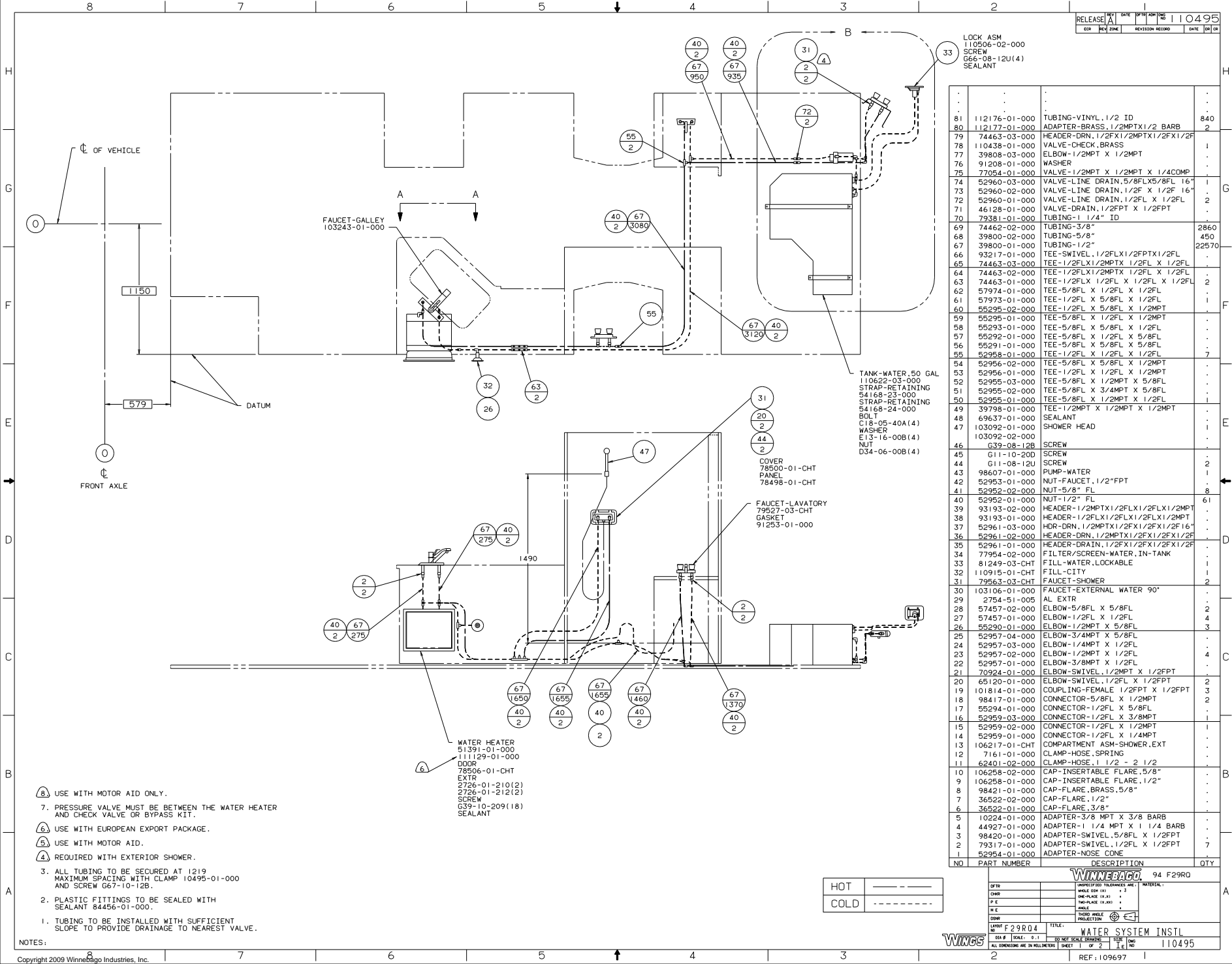


11. TRIM P-TRAP EXTENSION TO FIT.
10. SECURE VENT TUBES TO FLOOR.
9. VENT PIPE MUST PROJECT 51 MM MIN AND 63.5 MM MAX ABOVE ROOF FOR PROPER FIT AND FUNCTION.
8. SEE DWG 61607-01-000 FOR INSTL OF GROMMET.
7. SEAL ALL AROUND SHOWER WITH SILICONE 78474-01-CHT.
6. FOR CAN UNITS EACH HOLDING TANK SHALL HAVE A CSA APPROVAL STAMPED NEAR THE IAMPO APPROVAL.
5. EXPOSED PIPE ABOVE ROOF TO BE PAINTED 37163-01-000.
4. ALL EXTERIOR OPENINGS AROUND PIPE TO BE SEALED WITH 69637-01-000.
3. ALL PIPE AND FITTINGS TO BE ASSEMBLED WITH SOLVENT 4020-01-000.
2. SLOPE OF TRAP ARM MUST BE 6 PER 300.
1. SLOPE OF HORIZONTAL PIPING TO BE 6 PER 300 MIN.

HOSE-ADAPTER
 62416-01-000
 HOSE-SEWER
 10201-01-000
 CLAMP
 62401-05-000(2)

FOR DRAINAGE CALLOUTS SEE DWG NO. 116229-01-000

WINNERAGO 94 F29R0	
QTR	UNSPECIFIED TOLERANCES ARE MATERIAL
CHP	ANGLE DIM (X) 1/2
TRF	ONE-PLACE (X) 1/2
PL	TWO-PLACE (X) 1/2
DR	ANGLE
DR	DRUG HANDLE PROJECTION
LANE# F29R04	TITLE: DRAINAGE SYSTEM INSTL
REV	DATE
1	11 10 494
2	11 10 494
3	11 10 494
4	11 10 494
5	11 10 494
6	11 10 494
7	11 10 494
8	11 10 494
9	11 10 494
10	11 10 494
11	11 10 494
12	11 10 494
13	11 10 494
14	11 10 494
15	11 10 494
16	11 10 494
17	11 10 494
18	11 10 494
19	11 10 494
20	11 10 494
21	11 10 494
22	11 10 494
23	11 10 494
24	11 10 494
25	11 10 494
26	11 10 494
27	11 10 494
28	11 10 494
29	11 10 494
30	11 10 494
31	11 10 494
32	11 10 494
33	11 10 494
34	11 10 494
35	11 10 494
36	11 10 494
37	11 10 494
38	11 10 494
39	11 10 494
40	11 10 494
41	11 10 494
42	11 10 494
43	11 10 494
44	11 10 494
45	11 10 494
46	11 10 494
47	11 10 494
48	11 10 494
49	11 10 494
50	11 10 494
51	11 10 494
52	11 10 494
53	11 10 494
54	11 10 494
55	11 10 494
56	11 10 494
57	11 10 494
58	11 10 494
59	11 10 494
60	11 10 494
61	11 10 494
62	11 10 494
63	11 10 494
64	11 10 494
65	11 10 494
66	11 10 494
67	11 10 494
68	11 10 494
69	11 10 494
70	11 10 494
71	11 10 494
72	11 10 494
73	11 10 494
74	11 10 494
75	11 10 494
76	11 10 494
77	11 10 494
78	11 10 494
79	11 10 494
80	11 10 494
81	11 10 494
82	11 10 494
83	11 10 494
84	11 10 494
85	11 10 494
86	11 10 494
87	11 10 494
88	11 10 494
89	11 10 494
90	11 10 494
91	11 10 494
92	11 10 494
93	11 10 494
94	11 10 494
95	11 10 494
96	11 10 494
97	11 10 494
98	11 10 494
99	11 10 494
100	11 10 494



NO	PART NUMBER	DESCRIPTION	QTY
81	112176-01-000	TUBING-VINYL, 1/2 ID	840
80	112177-01-000	ADAPTER-BRASS, 1/2MPTX1/2 BARB	2
79	74463-03-000	HEADER-DRN, 1/2FX1/2MPTX1/2FX1/2F	1
78	110438-01-000	VALVE-CHECK, BRASS	1
77	39808-03-000	ELBOW-1/2MPT X 1/2MPT	1
76	91208-01-000	WASHER	1
75	77054-01-000	VALVE-1/2MPT X 1/2MPT X 1/4COMP	1
74	52960-03-000	VALVE-LINE DRAIN, 5/8FLX5/8FL 16"	1
73	52960-02-000	VALVE-LINE DRAIN, 1/2FX 1/2FX 16"	1
72	52960-01-000	VALVE-LINE DRAIN, 1/2FX X 1/2FL	2
71	46128-01-000	VALVE-DRAIN, 1/2FPT X 1/2FPT	1
70	79311-01-000	TUBING-1 1/4" ID	1
69	74462-02-000	TUBING-3/8"	2860
68	39800-02-000	TUBING-5/8"	450
67	39800-01-000	TUBING-1/2"	22570
66	93217-01-000	TEE-SWIVEL, 1/2FLX1/2FPTX1/2FL	1
65	74463-03-000	TEE-1/2FLX1/2MPTX 1/2FL X 1/2FL	1
64	74463-02-000	TEE-1/2FLX1/2MPTX 1/2FL X 1/2FL	1
63	74463-01-000	TEE-1/2FLX 1/2FL X 1/2FL X 1/2FL	2
62	57974-01-000	TEE-5/8FL X 1/2FL X 1/2FL	1
61	57973-01-000	TEE-1/2FL X 5/8FL X 1/2FL	1
60	55295-02-000	TEE-1/2FL X 5/8FL X 1/2MPT	1
59	55295-01-000	TEE-5/8FL X 1/2FL X 1/2MPT	1
58	55293-01-000	TEE-5/8FL X 5/8FL X 1/2FL	1
57	55292-01-000	TEE-5/8FL X 1/2FL X 5/8FL	1
56	55291-01-000	TEE-5/8FL X 5/8FL X 5/8FL	1
55	52958-01-000	TEE-1/2FL X 1/2FL X 1/2FL	7
54	52956-02-000	TEE-5/8FL X 5/8FL X 1/2MPT	1
53	52956-01-000	TEE-1/2FL X 1/2FL X 1/2MPT	1
52	52955-03-000	TEE-5/8FL X 1/2MPT X 5/8FL	1
51	52955-02-000	TEE-5/8FL X 3/4MPT X 5/8FL	1
50	52955-01-000	TEE-5/8FL X 1/2MPT X 1/2FL	1
49	39798-01-000	TEE-1/2MPT X 1/2MPT X 1/2MPT	1
48	69637-01-000	SEALANT	1
47	103092-01-000	SHOWER HEAD	1
46	103092-02-000	SEALANT	1
45	G39-08-12B	SCREW	1
44	G11-10-20D	SCREW	1
43	G11-08-12U	SCREW	2
42	98607-01-000	PUMP-WATER	1
41	52953-01-000	NUT-FAUCET, 1/2" FPT	1
40	52952-02-000	NUT-5/8" FL	8
39	93193-02-000	HEADER-1/2MPTX1/2FLX1/2FLX1/2MPT	1
38	93193-01-000	HEADER-1/2FLX1/2FLX1/2FLX1/2MPT	1
37	52961-03-000	HDR-DRN, 1/2MPTX1/2FX1/2FX1/2F 16"	1
36	52961-02-000	HEADER-DRN, 1/2MPTX1/2FX1/2FX1/2F	1
35	52961-01-000	HEADER-DRN, 1/2FX1/2FX1/2FX1/2F	1
34	77954-02-000	FILTER/SCREEN-WATER, IN-TANK	1
33	81249-03-CHT	FILL-WATER, LOCKABLE	1
32	110915-01-CHT	FILL-CITY	1
31	79563-03-CHT	FAUCET-SHOWER	2
30	103106-01-000	FAUCET-EXTERNAL WATER 90°	1
29	2754-51-005	AL EXTR	1
28	57457-02-000	ELBOW-5/8FL X 5/8FL	2
27	57457-01-000	ELBOW-1/2FL X 1/2FL	4
26	55290-01-000	ELBOW-1/2MPT X 5/8FL	3
25	52957-04-000	ELBOW-3/4MPT X 5/8FL	1
24	52957-03-000	ELBOW-1/4MPT X 1/2FL	1
23	52957-02-000	ELBOW-1/2MPT X 1/2FL	4
22	52957-01-000	ELBOW-3/8MPT X 1/2FL	1
21	70924-01-000	ELBOW-SWIVEL, 1/2MPT X 1/2FPT	2
20	65120-01-000	ELBOW-SWIVEL, 1/2FL X 1/2FPT	2
19	101814-01-000	COUPLING-FEMALE 1/2FPT X 1/2FPT	3
18	98417-01-000	CONNECTOR-5/8FL X 1/2MPT	2
17	55294-01-000	CONNECTOR-1/2FL X 5/8FL	1
16	52959-03-000	CONNECTOR-1/2FL X 3/8MPT	1
15	52959-02-000	CONNECTOR-1/2FL X 1/2MPT	1
14	52959-01-000	CONNECTOR-1/2FL X 1/4MPT	1
13	106217-01-CHT	COMPARTMENT ASM-SHOWER, EXT	1
12	71611-01-000	CLAMP-HOSE, SPRING	1
11	62401-02-000	CLAMP-HOSE, 1 1/2 - 2 1/2	1
10	106258-02-000	CAP-INSERTABLE FLARE, 5/8"	1
9	106258-01-000	CAP-INSERTABLE FLARE, 1/2"	1
8	98421-01-000	CAP-FLARE, BRASS, 5/8"	1
7	36522-02-000	CAP-FLARE, 1/2"	1
6	36522-01-000	CAP-FLARE, 3/8"	1
5	10224-01-000	ADAPTER-3/8 MPT X 3/8 BARB	1
4	44927-01-000	ADAPTER-1 1/4 MPT X 1 1/4 BARB	1
3	98420-01-000	ADAPTER-SWIVEL, 5/8FL X 1/2FPT	1
2	79317-01-000	ADAPTER-SWIVEL, 1/2FL X 1/2FPT	7
1	52954-01-000	ADAPTER-NOSE CONE	1

- (A) USE WITH MOTOR AID ONLY.
 7. PRESSURE VALVE MUST BE BETWEEN THE WATER HEATER AND CHECK VALVE OR BYPASS KIT.
 (B) USE WITH EUROPEAN EXPORT PACKAGE.
 (C) USE WITH MOTOR AID.
 (D) REQUIRED WITH EXTERIOR SHOWER.
 3. ALL TUBING TO BE SECURED AT 1219 MAXIMUM SPACING WITH CLAMP 10495-01-000 AND SCREW G67-10-12B.
 2. PLASTIC FITTINGS TO BE SEALED WITH SEALANT 84456-01-000.
 1. TUBING TO BE INSTALLED WITH SUFFICIENT SLOPE TO PROVIDE DRAINAGE TO NEAREST VALVE.

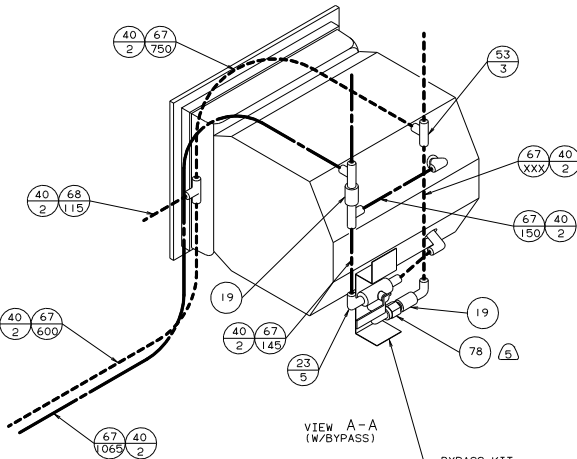
WATER HEATER
 51391-01-000
 111129-01-000
 DOOR
 78506-01-CHT
 EXTR
 2726-01-210(2)
 2726-01-212(2)
 SCREW
 G39-10-209(18)
 SEALANT

FAUCET-LAVATORY
 79527-03-CHT
 GASKET
 91253-01-000

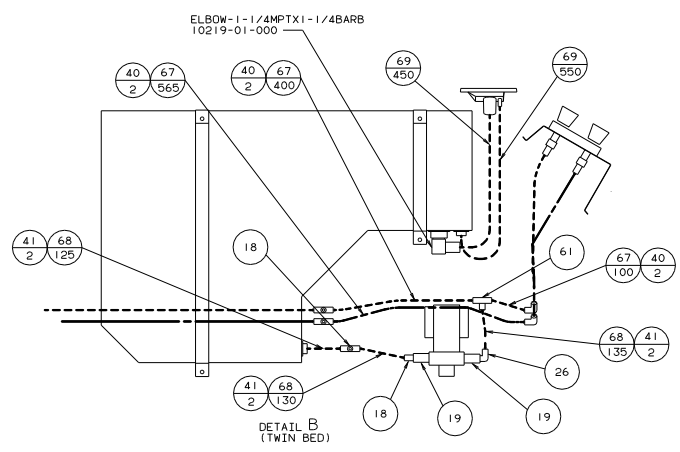
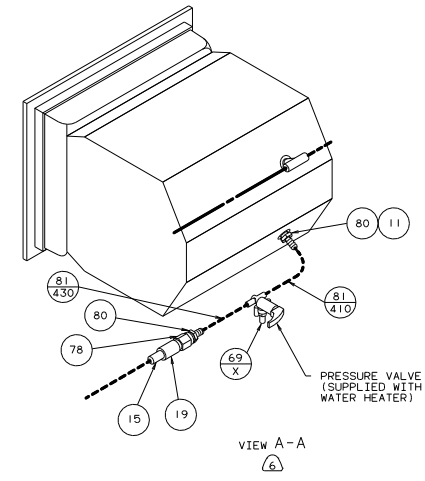
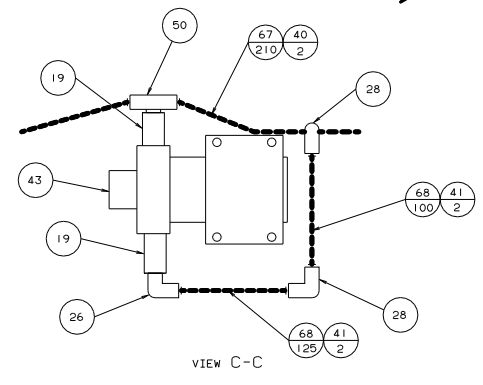
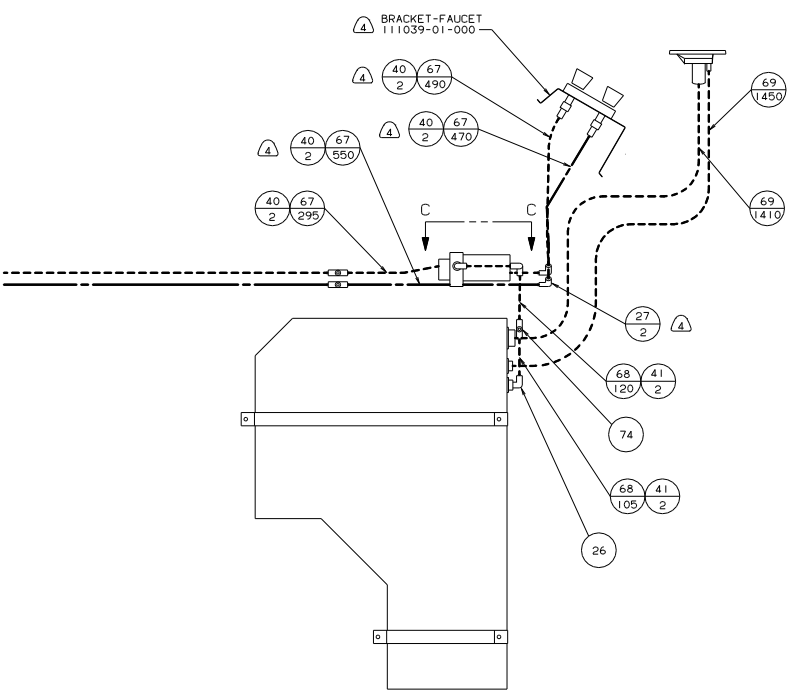
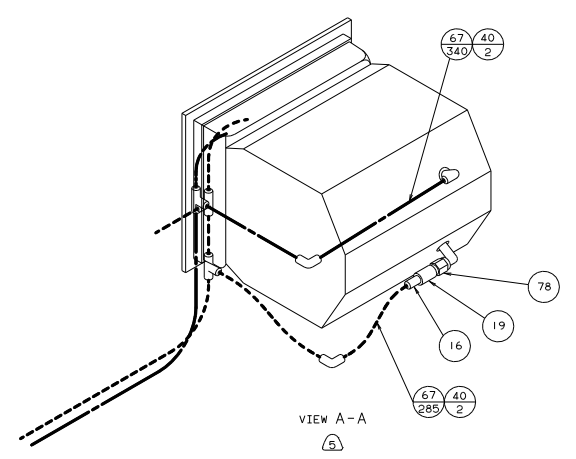
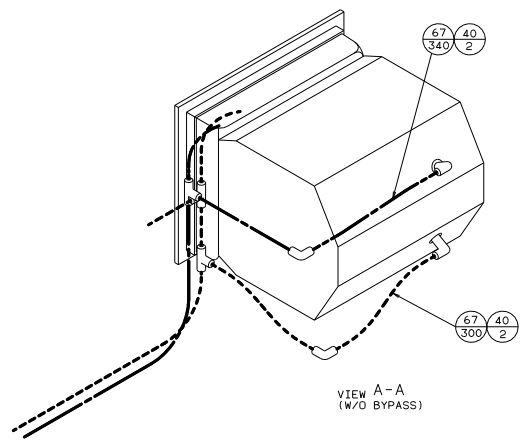
TANK-WATER, 50 GAL
 110622-03-000
 STRAP-RETAINING
 54168-23-000
 STRAP-RETAINING
 54168-24-000
 BOLT
 C18-05-40A(4)
 WASHER
 E13-16-00B(4)
 NUT
 D34-06-00B(4)

HOT	-----
COLD	-----

WINNEGAGO 94 F29R0
 110495
 WATER SYSTEM INSTL
 SHEET 1 OF 2
 REF: 109697



- BYPASS KIT
99729-01-000
- SCREW
G39-08-08U(12)
- BRACKET
103259-01-000
- SCREW
G67-10-12U(2)



- ELBOW-1-1/4MPTX1-1/4BARB
10219-01-000