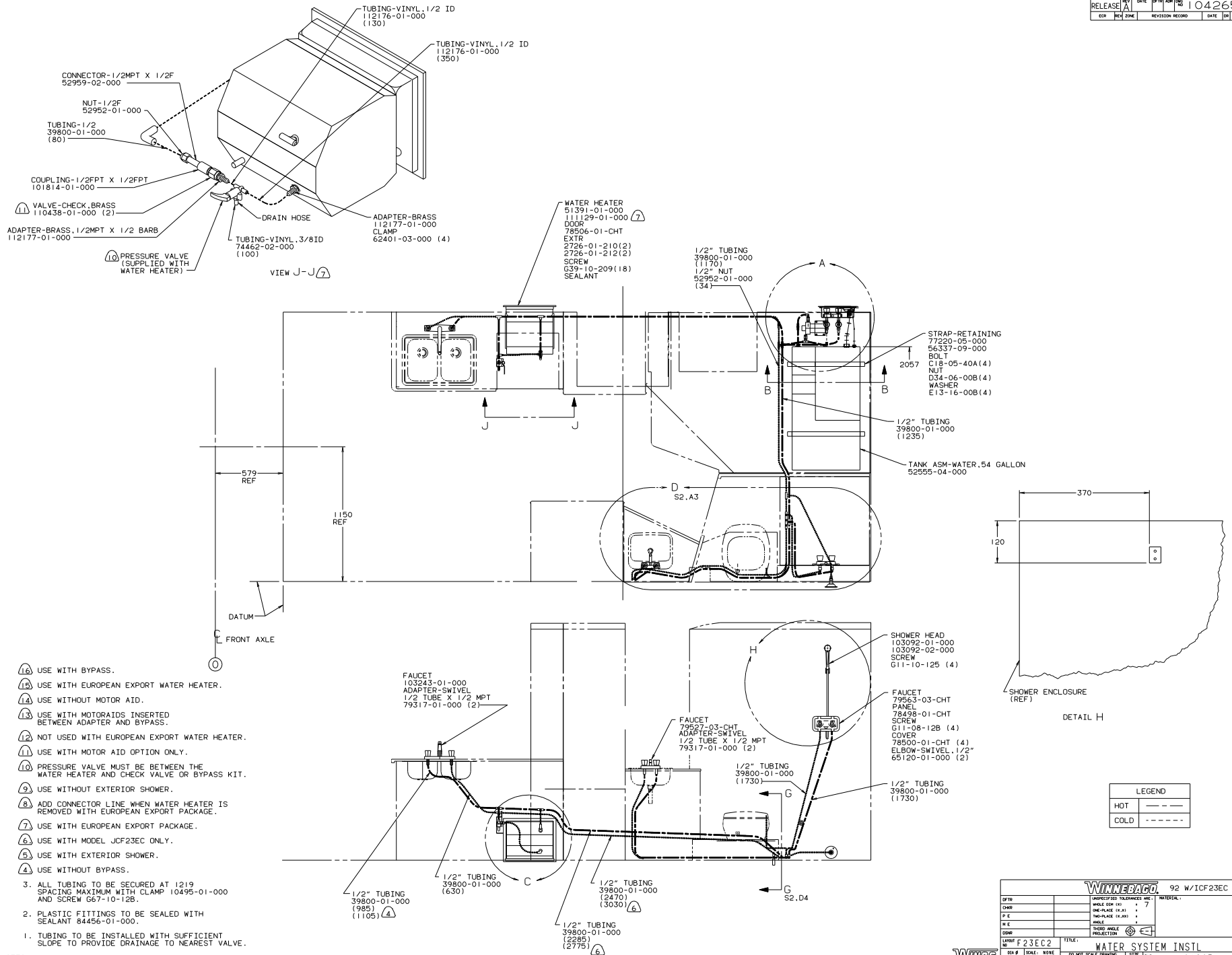
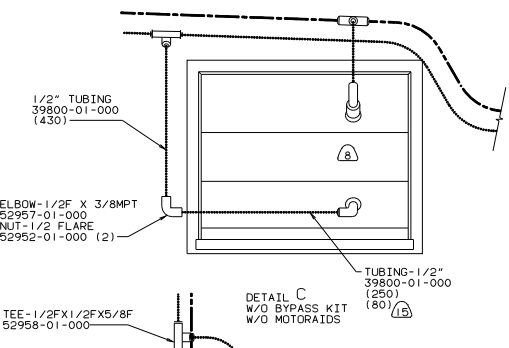
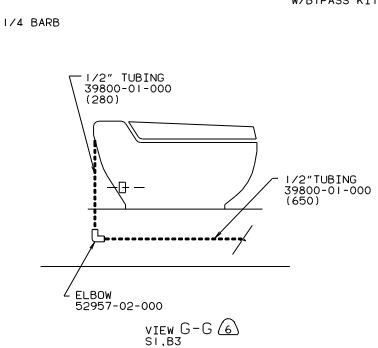
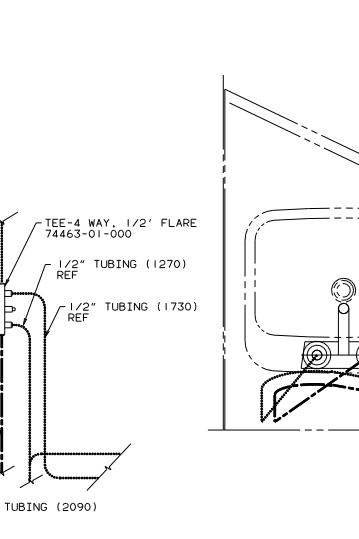
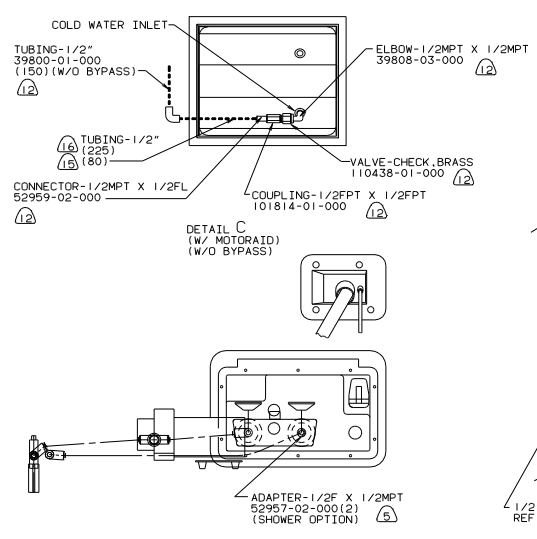
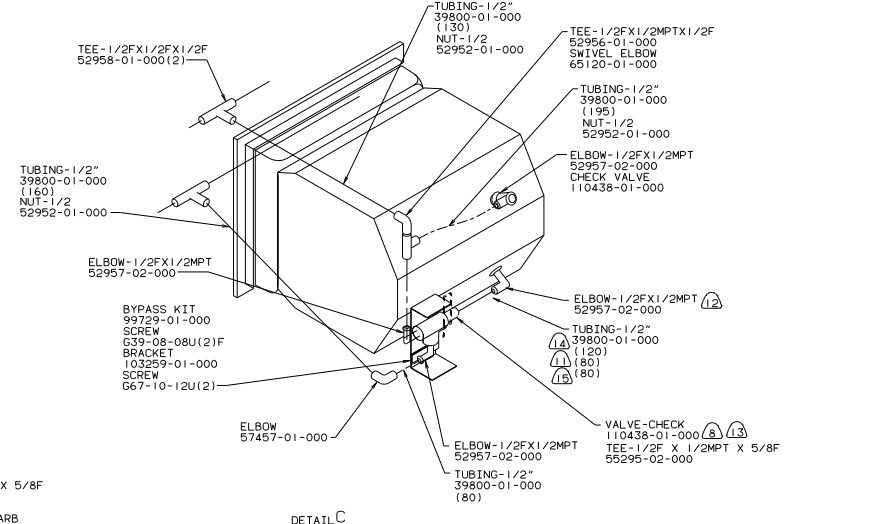
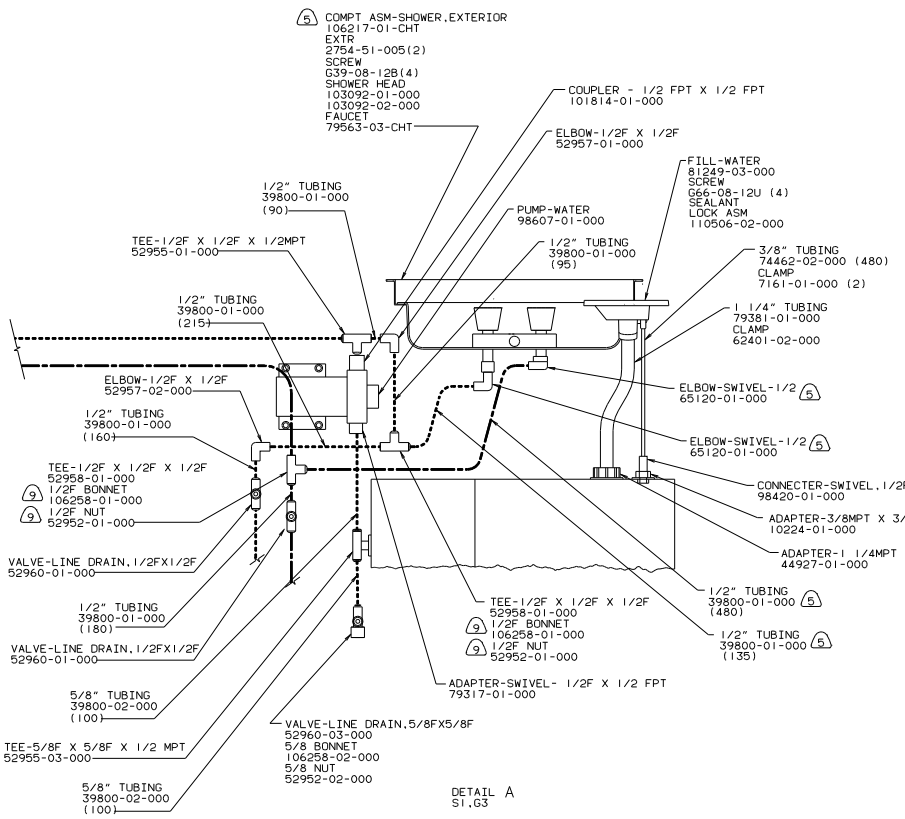


- ④ VENT PIPE MUST PROJECT 51 MM MIN AND 63.5 MM MAX ABOVE ROOF FOR PROPER FIT AND FUNCTION.
  - ⑤ SEE DWG 61607-01-000 FOR INSTL OF GROMMET.
  - ⑥ SEAL ALL AROUND SHOWER WITH SILICONE 78474-01-CHT.
6. FOR CAN UNITS EACH HOLDING TANK SHALL HAVE A CSA APPROVAL STAMPED NEAR THE TAPMO APPROVAL.
  5. EXPOSED PIPE ABOVE ROOF TO BE PAINTED 37163-01-000.
  4. ALL EXTERIOR OPENINGS AROUND PIPE TO BE SEALED WITH 69637-01-000.
  3. ALL PIPE AND FITTINGS TO BE ASSEMBLED WITH SOLVENT 4020-01-000.
  2. SLOPE OF TRAP ARM MUST BE 6 PER 300.
  1. SLOPE OF HORIZONTAL PIPING TO BE 6 PER 305 MIN.

WINNECO 94 F23RC	
DATE	UNSPECIFIED TOLERANCES ARE MATERIAL
CHRG	UNLESS OTHERWISE SPECIFIED
BY	ONE-PLACE (R 31)
CHKD	ONE-PLACE (R 30)
DATE	SCALE
CDWG	TRNG WHOLE PROJECT
LAYOUT F23EC2	TITLE: DRAINAGE SYSTEM INSTL
REV #	SCALE
ALL DIMENSIONS ARE IN MILLIMETERS	SHEET 1 OF 1
REF: 104223	111615



- 16 USE WITH BYPASS.
  - 15 USE WITH EUROPEAN EXPORT WATER HEATER.
  - 14 USE WITHOUT MOTOR AID.
  - 13 USE WITH MOTOR AIDS INSERTED BETWEEN ADAPTER AND BYPASS.
  - 12 NOT USED WITH EUROPEAN EXPORT WATER HEATER.
  - 11 USE WITH MOTOR AID OPTION ONLY.
  - 10 PRESSURE VALVE MUST BE BETWEEN THE WATER HEATER AND CHECK VALVE OR BYPASS KIT.
  - 9 USE WITHOUT EXTERIOR SHOWER.
  - 8 ADD CONNECTOR LINE WHEN WATER HEATER IS REMOVED WITH EUROPEAN EXPORT PACKAGE.
  - 7 USE WITH EUROPEAN EXPORT PACKAGE.
  - 6 USE WITH MODEL JCF23EC ONLY.
  - 5 USE WITH EXTERIOR SHOWER.
  - 4 USE WITHOUT BYPASS.
3. ALL TUBING TO BE SECURED AT 1219 SPACING MAXIMUM WITH CLAMP 10495-01-000 AND SCREW 667-10-128.
2. PLASTIC FITTINGS TO BE SEALED WITH SEALANT 84456-01-000.
1. TUBING TO BE INSTALLED WITH SUFFICIENT SLOPE TO PROVIDE DRAINAGE TO NEAREST VALVE.



SECTION B-B  
S1.G3

SECTION E-E

VIEW G-G  
S1.B3

DETAIL D  
S1.F4

TITLE	WATER SYSTEM INSTL
NO. OF SHEETS	2 OF 2
DATE	11/01/00
PROJECT NO.	104265