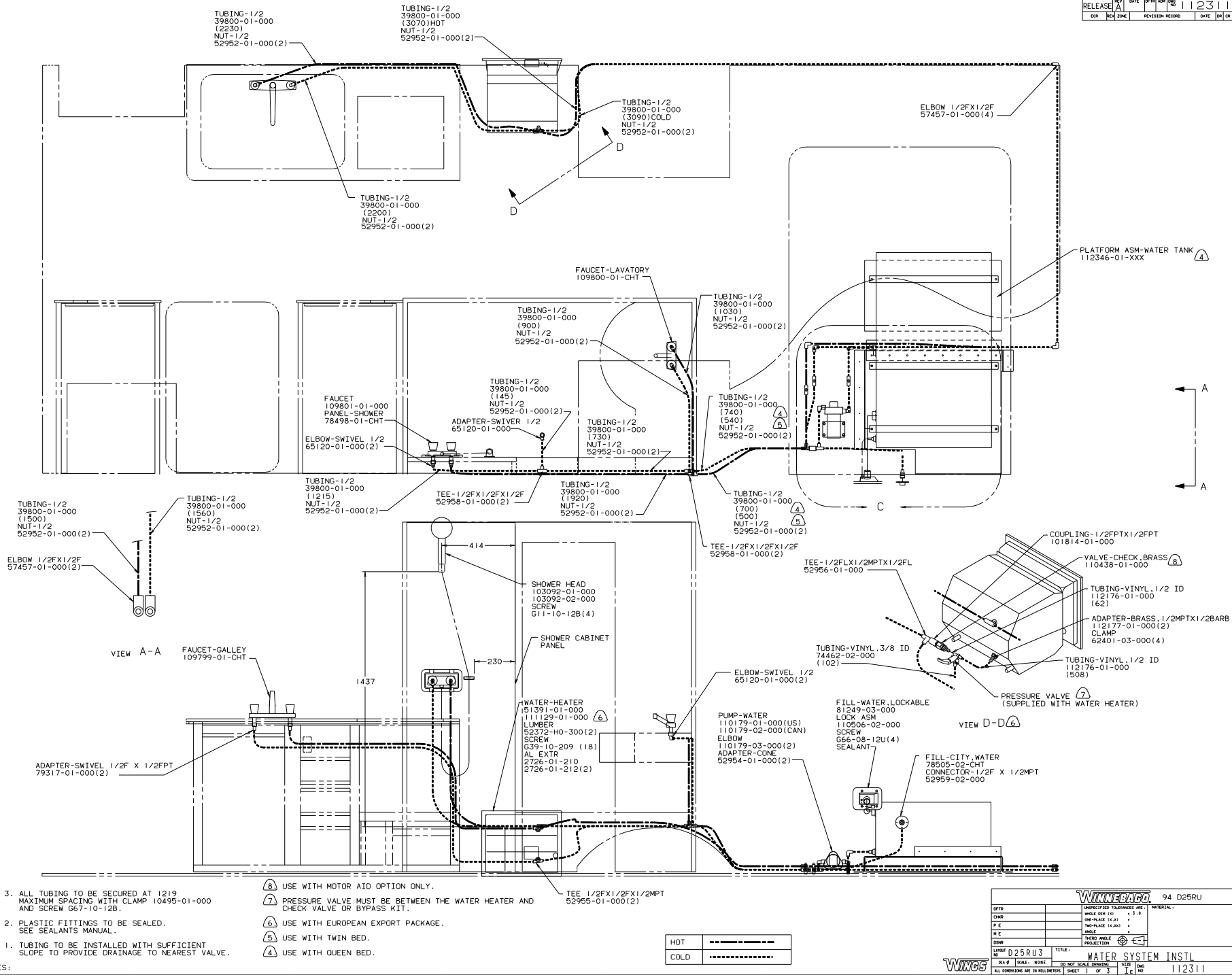


8. ALL PIPE TO BE SUPPORTED AT 1200 INTERVALS MAXIMUM.
7. SEE DWG 61607-01-000 FOR INSTL OF GROMMETS.
6. SEAL ALL AROUND SHOWER PAN.
5. VENT PIPE MUST PROJECT 51 MM MIN TO 64 MM MAX ABOVE ROOF FOR PROPER FIT AND FUNCTION.
4. ALL EXTERIOR OPENINGS AROUND PIPE TO BE SEALED.
3. ALL PIPE AND FITTINGS TO BE ASSEMBLED WITH SOLVENT 4020-01-000.
2. SLOPE OF TRAP MUST BE 6 PER 300 MINIMUM.
1. SLOPE OF HORIZONTAL PIPING TO BE 6 PER 300 MINIMUM.

- TANK-HOLDING, 40 GAL  
110508-02-000  
CRADLE ASM  
110789-01-000  
BOLT  
C12-05-40B (4)  
NUT  
D39-05-00B (4)

WINNEDAGO		93 D25RU
DATE	UNSPECIFIED TOLERANCES ARE	MATERIAL
CHG#	WHOLE DIM (IN)	1/8"
REV	ONE-PLACE (IN IN)	1/16"
FILE	ANGLE	30°
CDR	TRUSS W/OLE	PROJECTION
LAYOUT NO. D25RU3	TITLE: DRAINAGE SYSTEM INSTL	
REV #	SCALE	NOTE
ALL DIMENSIONS ARE IN MILLIMETERS	SHEET	OF
		110130

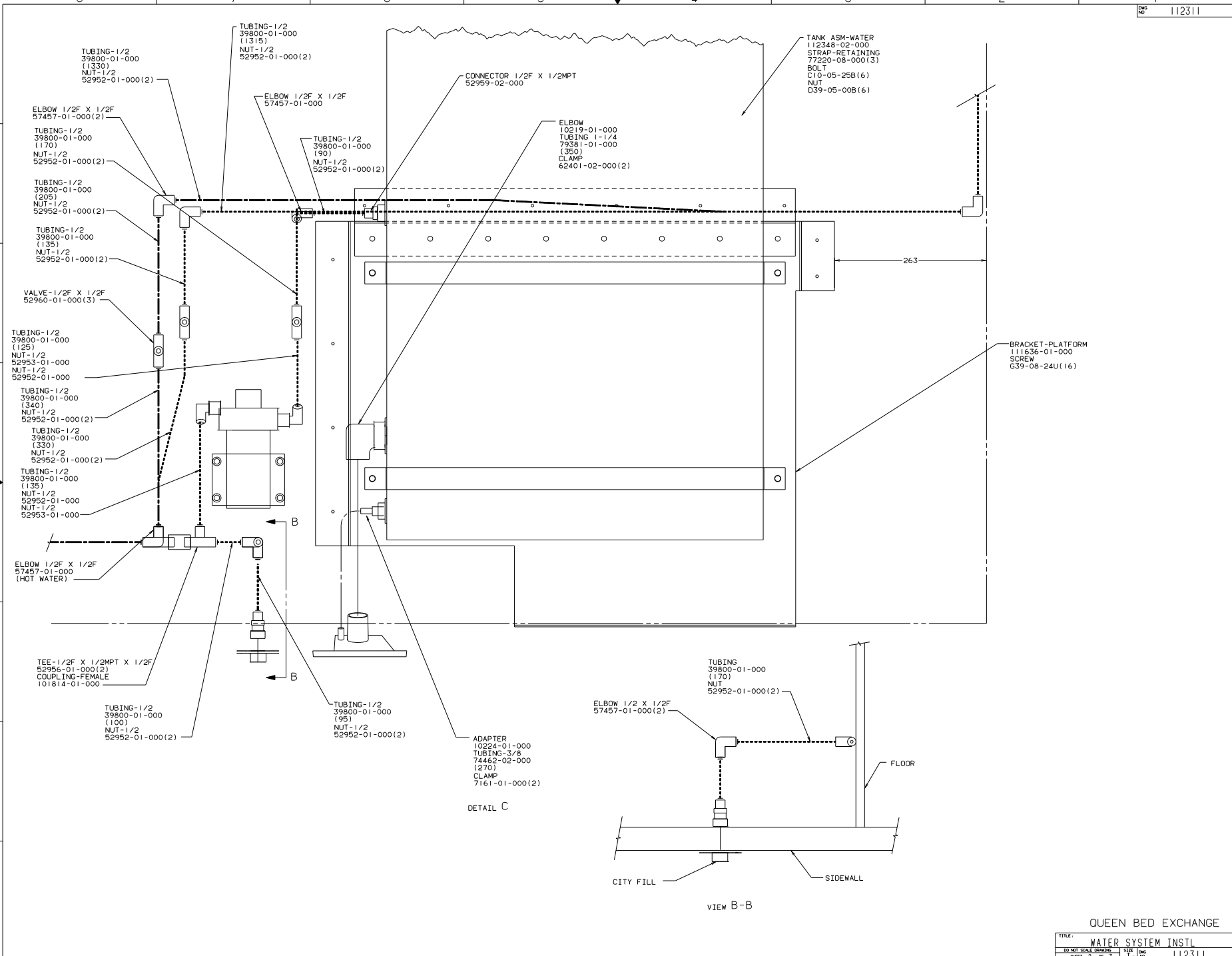


3. ALL TUBING TO BE SECURED AT 1219 MAXIMUM SPACING WITH CLAMP 10495-01-000 AND SCREW G67-10-12B.
2. PLASTIC FITTINGS TO BE SEALED. SEE SEALANTS MANUAL.
1. TUBING TO BE INSTALLED WITH SUFFICIENT SLOPE TO PROVIDE DRAINAGE TO NEAREST VALVE.

8. USE WITH MOTOR AID OPTION ONLY.
7. PRESSURE VALVE MUST BE BETWEEN THE WATER HEATER AND CHECK VALVE OR BYPASS KIT.
6. USE WITH EUROPEAN EXPORT PACKAGE.
5. USE WITH TWIN BED.
4. USE WITH QUEEN BED.

HOT	—————
COLD	- - - - -

<b>WINNEMAGO</b> 94 D25RU																	
DATE	UNSPECIFIED TOLERANCES ARE: MATERIAL																
CHGR	WHOLE DIM (IN) ± 0.1																
SIZE	ONE-PLACE (IN, IN)																
FIN	TWO-PLACE (IN, IN)																
FIN	ANGLE																
CDR	THRU HOLES PRODUCTION																
<table border="1"> <tr> <td>LAND #</td> <td>D25RU3</td> <td>TITLE:</td> <td>WATER SYSTEM INSTL</td> </tr> <tr> <td>REV</td> <td></td> <td>SCALE:</td> <td>AS SHOWN</td> </tr> <tr> <td>DATE</td> <td></td> <td>SHEET</td> <td>1 OF 3</td> </tr> <tr> <td>NO</td> <td></td> <td>DRW</td> <td>112311</td> </tr> </table>		LAND #	D25RU3	TITLE:	WATER SYSTEM INSTL	REV		SCALE:	AS SHOWN	DATE		SHEET	1 OF 3	NO		DRW	112311
LAND #	D25RU3	TITLE:	WATER SYSTEM INSTL														
REV		SCALE:	AS SHOWN														
DATE		SHEET	1 OF 3														
NO		DRW	112311														



TUBING-1/2  
39800-01-000  
(1330)  
NUT-1/2  
52952-01-000(2)

ELBOW 1/2F X 1/2F  
57457-01-000(2)

TUBING-1/2  
39800-01-000  
(170)  
NUT-1/2  
52952-01-000(2)

TUBING-1/2  
39800-01-000  
(205)  
NUT-1/2  
52952-01-000(2)

TUBING-1/2  
39800-01-000  
(135)  
NUT-1/2  
52952-01-000(2)

VALVE-1/2F X 1/2F  
52960-01-000(3)

TUBING-1/2  
39800-01-000  
(125)  
NUT-1/2  
52953-01-000  
NUT-1/2  
52952-01-000

TUBING-1/2  
39800-01-000  
(340)  
NUT-1/2  
52952-01-000(2)

TUBING-1/2  
39800-01-000  
(330)  
NUT-1/2  
52952-01-000(2)

TUBING-1/2  
39800-01-000  
(135)  
NUT-1/2  
52952-01-000  
NUT-1/2  
52953-01-000

ELBOW 1/2F X 1/2F  
57457-01-000  
(HOT WATER)

TEE-1/2F X 1/2MPT X 1/2F  
52956-01-000(2)  
COUPLING-FEMALE  
101614-01-000

TUBING-1/2  
39800-01-000  
(100)  
NUT-1/2  
52952-01-000(2)

TUBING-1/2  
39800-01-000  
(1315)  
NUT-1/2  
52952-01-000(2)

ELBOW 1/2F X 1/2F  
57457-01-000

CONNECTOR 1/2F X 1/2MPT  
52959-02-000

TUBING-1/2  
39800-01-000  
(90)  
NUT-1/2  
52952-01-000(2)

ELBOW  
10219-01-000  
TUBING 1-1/4  
79381-01-000  
(350)  
CLAMP  
62401-02-000(2)

TANK ASM-WATER  
112348-02-000  
STRAP-RETAINING  
77220-08-000(3)  
BOLT  
C10-05-25B(6)  
NUT  
D39-05-00B(6)

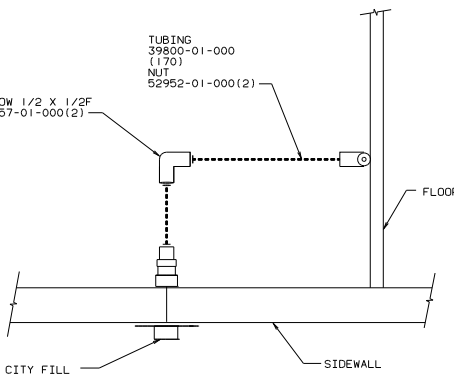
BRACKET-PLATFORM  
111636-01-000  
SCREW  
G39-08-24U(16)

ADAPTER  
10224-01-000  
TUBING-3/8  
74462-02-000  
(270)  
CLAMP  
7161-01-000(2)

DETAIL C

TUBING  
39800-01-000  
(170)  
NUT  
52952-01-000(2)

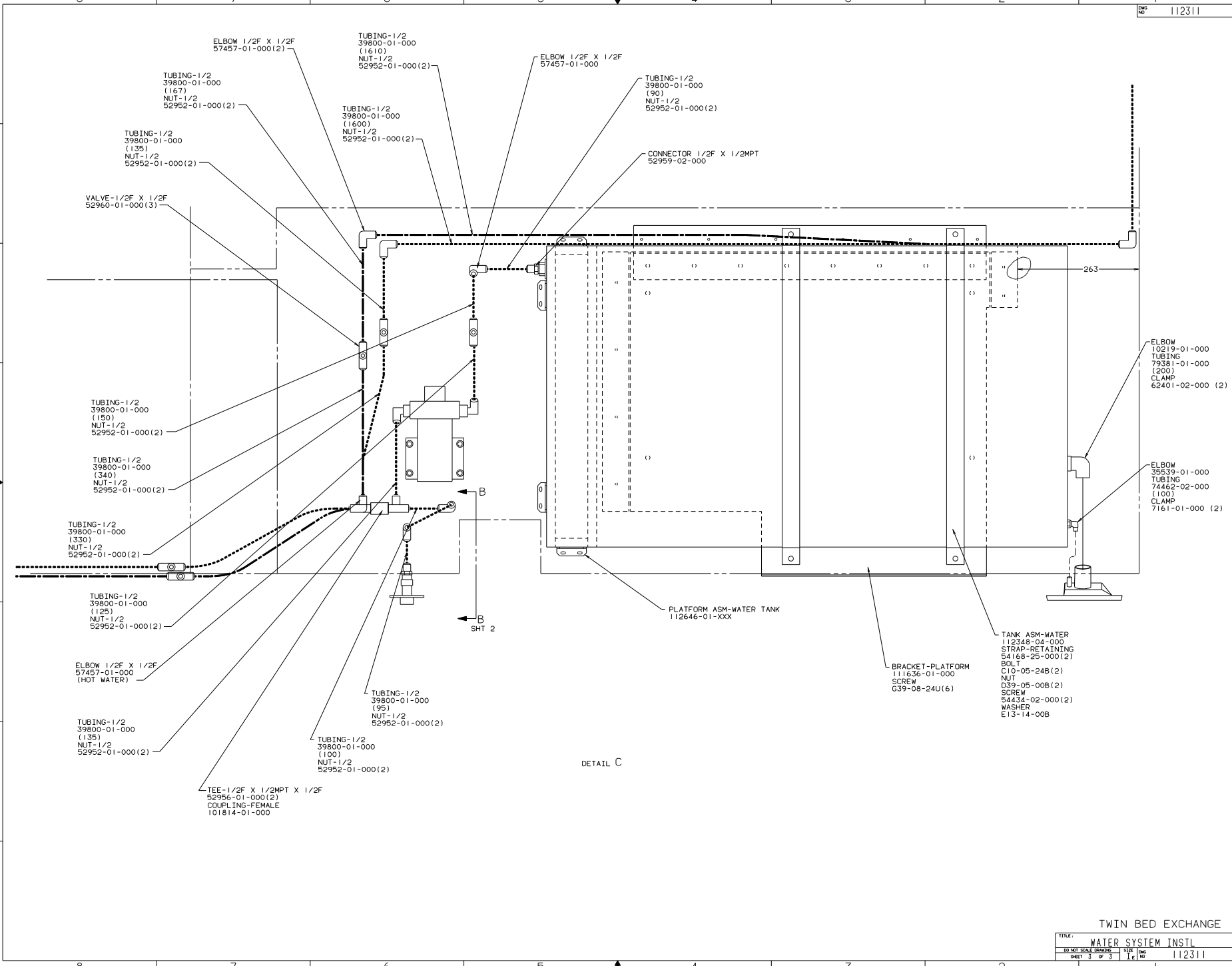
ELBOW 1/2 X 1/2F  
57457-01-000(2)



VIEW B-B

QUEEN BED EXCHANGE

TITLE: WATER SYSTEM INSTL		DWG NO 112311	
30 NET SCALE DRAWING	SIZE 1/8"	SHEET 2	OF 3



ELBOW 1/2F X 1/2F  
57457-01-000(2)

TUBING-1/2  
39800-01-000  
(167)  
NUT-1/2  
52952-01-000(2)

TUBING-1/2  
39800-01-000  
(135)  
NUT-1/2  
52952-01-000(2)

VALVE-1/2F X 1/2F  
52960-01-000(3)

TUBING-1/2  
39800-01-000  
(1610)  
NUT-1/2  
52952-01-000(2)

TUBING-1/2  
39800-01-000  
(1600)  
NUT-1/2  
52952-01-000(2)

ELBOW 1/2F X 1/2F  
57457-01-000

TUBING-1/2  
39800-01-000  
(90)  
NUT-1/2  
52952-01-000(2)

CONNECTOR 1/2F X 1/2MPT  
52959-02-000

TUBING-1/2  
39800-01-000  
(150)  
NUT-1/2  
52952-01-000(2)

TUBING-1/2  
39800-01-000  
(340)  
NUT-1/2  
52952-01-000(2)

TUBING-1/2  
39800-01-000  
(330)  
NUT-1/2  
52952-01-000(2)

TUBING-1/2  
39800-01-000  
(125)  
NUT-1/2  
52952-01-000(2)

ELBOW 1/2F X 1/2F  
57457-01-000  
(HOT WATER)

TUBING-1/2  
39800-01-000  
(135)  
NUT-1/2  
52952-01-000(2)

TUBING-1/2  
39800-01-000  
(95)  
NUT-1/2  
52952-01-000(2)

TEE-1/2F X 1/2MPT X 1/2F  
52956-01-000(2)  
COUPLING-FEMALE  
101614-01-000

ELBOW  
10219-01-000  
TUBING  
79381-01-000  
(200)  
CLAMP  
62401-02-000(2)

ELBOW  
35539-01-000  
TUBING  
74462-02-000  
(100)  
CLAMP  
7161-01-000(2)

PLATFORM ASM-WATER TANK  
112646-01-XXX

BRACKET-PLATFORM  
111636-01-000  
SCREW  
G39-08-24U(6)

TANK ASM-WATER  
112348-04-000  
STRAP-RETAINING  
54168-25-000(2)  
BOLT  
C10-05-24B(2)  
NUT  
D39-05-00B(2)  
SCREW  
54434-02-000(2)  
WASHER  
E13-14-00B

DETAIL C

TWIN BED EXCHANGE

TITLE: WATER SYSTEM INSTL		DWG NO 112311	
30 NET SCALE DRAWING	SIZE 1/4"	SHEET 3	OF 3