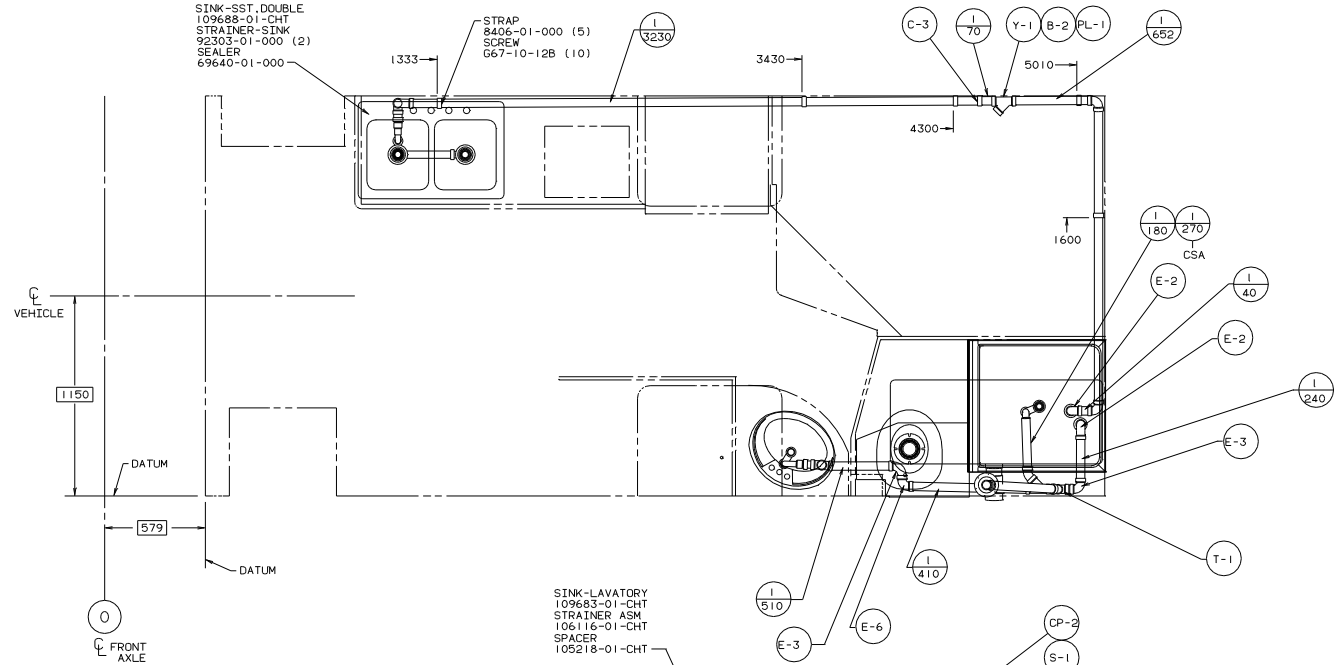


SINK-SST.DOUBLE
 109688-01-CHT
 STRAINER-SINK
 92303-01-000 (2)
 SEALER
 69640-01-000

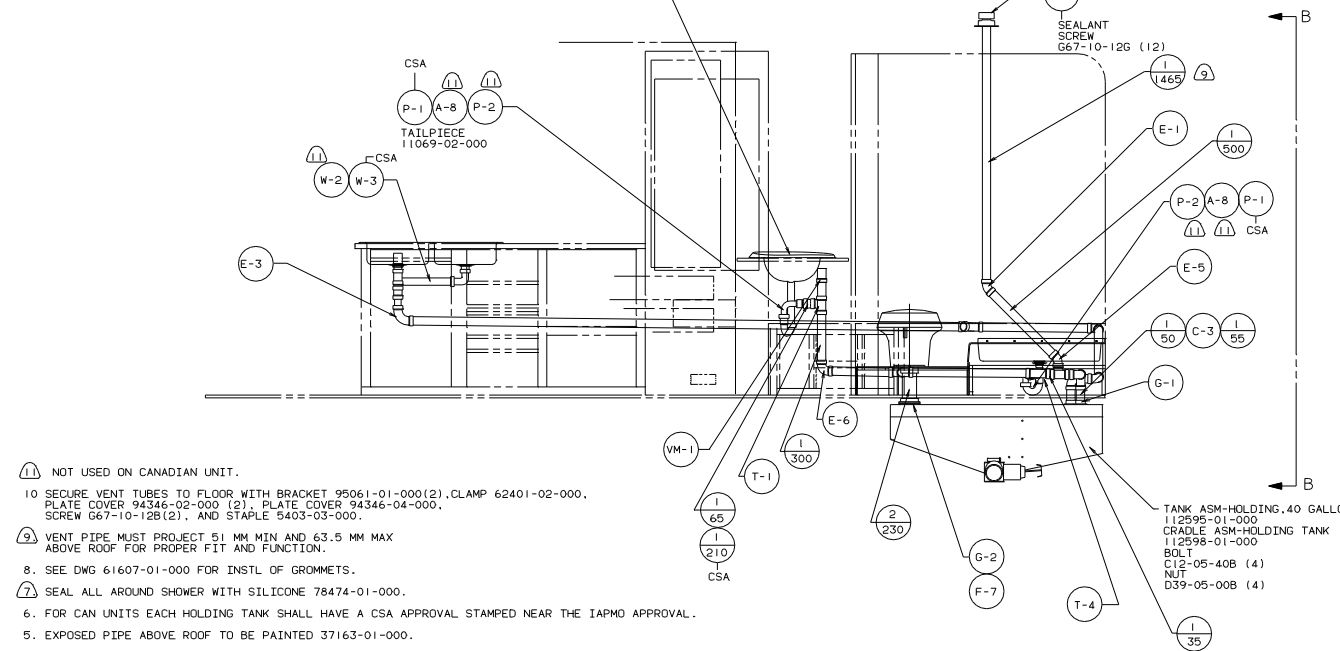
STRAP
 8406-01-000 (5)
 SCREW
 G67-10-12B (10)

I 3230

C-3 I 70 Y-1 B-2 PL-1 I 652



SINK-LAVATORY
 109683-01-CHT
 STRAINER ASM
 106116-01-CHT
 SPACER
 105218-01-CHT



(1) NOT USED ON CANADIAN UNIT.

10 SECURE VENT TUBES TO FLOOR WITH BRACKET 95061-01-000(2), CLAMP 62401-02-000, PLATE COVER 94346-02-000 (2), PLATE COVER 94346-04-000, SCREW G67-10-12B(2), AND STAPLE 5403-03-000.

(9) VENT PIPE MUST PROJECT 51 MM MIN AND 63.5 MM MAX ABOVE ROOF FOR PROPER FIT AND FUNCTION.

8. SEE DWG 61607-01-000 FOR INSTL OF GROMMETS.

(2) SEAL ALL AROUND SHOWER WITH SILICONE 78474-01-000.

6. FOR CAN UNITS EACH HOLDING TANK SHALL HAVE A CSA APPROVAL STAMPED NEAR THE IAPMO APPROVAL.

5. EXPOSED PIPE ABOVE ROOF TO BE PAINTED 37163-01-000.

4. ALL EXTERIOR OPENINGS AROUND PIPE TO BE SEALED.

3. ALL PIPE AND FITTINGS TO BE ASSEMBLED WITH SOLVENT 4020-01-000.

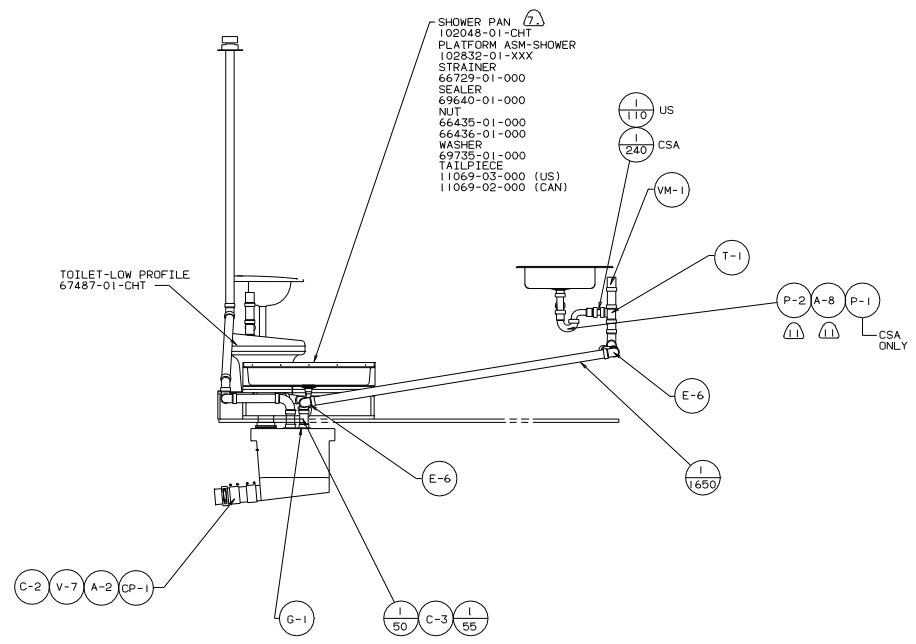
2. SLOPE OF TRAP ARM MUST BE 6 PER 305.

1. SLOPE OF HORIZONTAL PIPING TO BE 6 PER 305 MIN.

NOTES:

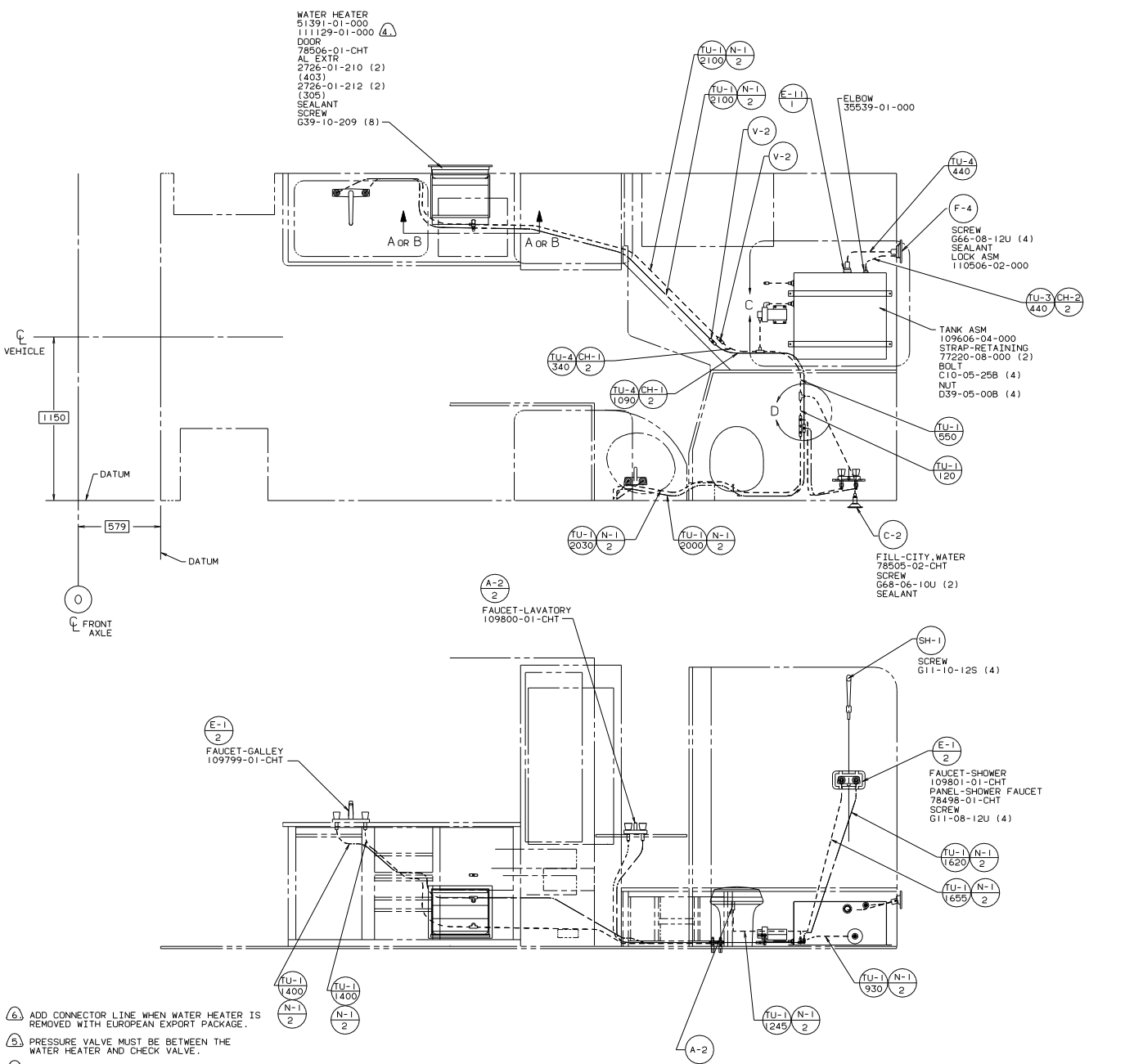
(X-X) FOR DRAINAGE CALLOUTS SEE DWG NO. 116229-01-000

WINNEBAGO		94 D23RC
DATE	UNSPECIFIED TOLERANCES ARE	MATERIAL
CHGR	UNLESS OTHERWISE SPECIFIED	
DR	ONE-PLACE (IN 31)	
FR	TWO-PLACE (IN 30)	
CON	THREE-PLACE (IN 29)	
DATE	THREE-PLACE (IN 28)	
DATE	THREE-PLACE (IN 27)	
DATE	THREE-PLACE (IN 26)	
DATE	THREE-PLACE (IN 25)	
DATE	THREE-PLACE (IN 24)	
DATE	THREE-PLACE (IN 23)	
DATE	THREE-PLACE (IN 22)	
DATE	THREE-PLACE (IN 21)	
DATE	THREE-PLACE (IN 20)	
DATE	THREE-PLACE (IN 19)	
DATE	THREE-PLACE (IN 18)	
DATE	THREE-PLACE (IN 17)	
DATE	THREE-PLACE (IN 16)	
DATE	THREE-PLACE (IN 15)	
DATE	THREE-PLACE (IN 14)	
DATE	THREE-PLACE (IN 13)	
DATE	THREE-PLACE (IN 12)	
DATE	THREE-PLACE (IN 11)	
DATE	THREE-PLACE (IN 10)	
DATE	THREE-PLACE (IN 9)	
DATE	THREE-PLACE (IN 8)	
DATE	THREE-PLACE (IN 7)	
DATE	THREE-PLACE (IN 6)	
DATE	THREE-PLACE (IN 5)	
DATE	THREE-PLACE (IN 4)	
DATE	THREE-PLACE (IN 3)	
DATE	THREE-PLACE (IN 2)	
DATE	THREE-PLACE (IN 1)	
DATE	THREE-PLACE (IN 0)	



VIEW B-B

TITLE: DRAINAGE SYSTEM INSTL	
30 MET SCALE DRAWING	FIG NO 113248
SHEET 2 OF 2	DATE



NO	PART NUMBER	DESCRIPTION	QTY
W-1	91208-01-000	WASHER	
V-6	110438-01-000	VALVE-CHECK, BRASS	
V-5	77054-01-000	VALVE-1/2MPT X 1/2MPT X 1/4COMP	
V-4	52960-03-000	VALVE-LINE DRAIN, 5/8FL X 5/8FL 16"	
V-3	52960-02-000	VALVE-LINE DRAIN, 1/2FL X 1/2FL 16"	
V-2	52960-01-000	VALVE-LINE DRAIN, 1/2FL X 1/2FL	2
V-1	46128-01-000	VALVE-DRAIN, 1/2FPT X 1/2FPT	1
TU-5	39800-04-000	TUBING-1/4"	3
TU-4	79381-01-000	TUBING-1 1/4" ID	1870
TU-3	74462-02-000	TUBING-3/8"	540
TU-2	39800-02-000	TUBING-5/8"	
TU-1	39800-01-000	TUBING-1/2"	18060
TU-18	3217-01-000	TEE-SWIVEL, 1/2FLX1/2FLX1/2FPT	
T-17	52961-05-000	TEE-1/2MPTX1/2FLX1/2FLX1/2FPT	
T-16	74463-02-000	TEE-1/2FLX1/2MPTX1/2FLX1/2FPT	
T-15	74463-01-000	TEE-1/2FLX1/2FLX1/2FLX1/2FPT	
T-14	57974-01-000	TEE-5/8FLX1/2FLX1/2FLX1/2FPT	
T-13	57973-01-000	TEE-1/2FLX1/2FLX1/2FLX1/2FPT	
T-12	52959-02-000	TEE-1/2FLX1/2MPTX1/2FLX1/2FPT	
T-11	52959-01-000	TEE-5/8FLX1/2MPTX1/2FLX1/2FPT	
T-10	52959-01-000	TEE-5/8FLX1/2FLX1/2FLX1/2FPT	
T-9	52952-01-000	TEE-5/8FLX1/2FLX1/2FLX1/2FPT	
T-8	52951-01-000	TEE-5/8FLX1/2FLX1/2FLX1/2FPT	
T-7	52958-01-000	TEE-1/2FLX1/2FLX1/2FLX1/2FPT	4
T-6	52956-02-000	TEE-5/8FLX1/2MPTX1/2FLX1/2FPT	4
T-5	52956-01-000	TEE-1/2FLX1/2MPTX1/2FLX1/2FPT	4
T-4	52955-02-000	TEE-5/8FLX1/2FLX1/2FLX1/2MPT	
T-3	52955-02-000	TEE-5/8FLX1/2FLX1/2FLX1/2MPT	
T-2	52955-01-000	TEE-1/2FLX1/2FLX1/2FLX1/2MPT	1
T-1	39798-01-000	TEE-1/2MPTX1/2MPTX1/2MPTX1/2MPT	1
SH-1	103092-01-000	SHOWER HEAD	1
	103092-02-000	SHOWER HEAD(CAN)	
PW-1	98607-01-000	PUMP-WATER	
N-3	52953-01-000	NUT-1/2" FPT	
N-2	52952-02-000	NUT-5/8"	
N-1	52952-01-000	NUT-1/2" FL	28
H-5	74463-04-000	HEADER-1/2MPTX1/2MPTX1/2FLX1/2FL	
H-4	74463-05-000	HEADER-1/2MPTX1/2FLX1/2FLX1/2FL	
H-3	52961-03-000	HDR-DRN, 1/2MPTX1/2FLX1/2FLX1/2FL 16"	
H-2	52961-02-000	HEADER-DRN, 1/2MPTX1/2FLX1/2FLX1/2FL 16"	
H-1	52961-01-000	HEADER-DRAIN, 1/2FLX1/2FLX1/2FLX1/2FL	
F-5	77954-02-000	FILTER-SCREEN-WATER, IN-TANK	1
F-4	81249-03-CHT	FILL-WATER, LOCKABLE	1
F-3	110915-01-CHT	FILL-CITY	1
F-2	79563-03-CHT	FAUCET-SHOWER	1
F-1	103106-01-000	FAUCET-EXTERNAL WATER 90°	1
E-11	10219-01-000	ELBOW-PLAS 1 1/4MPTX1 1/4BARB	1
E-10	39808-03-000	ELBOW-1/2MPT X 1/2MPT	1
E-9	57457-02-000	ELBOW-5/8FL X 5/8FL	1
E-8	57457-01-000	ELBOW-1/2FL X 1/2FL	1
E-7	52990-01-000	ELBOW-1/2MPT X 5/8FL	1
E-6	52957-04-000	ELBOW-3/4MPT X 5/8FL	1
E-5	52957-03-000	ELBOW-1/4MPT X 1/2FL	1
E-4	52957-02-000	ELBOW-1/2MPT X 1/2FL	1
E-3	52957-01-000	ELBOW-3/8MPT X 1/2FL	1
E-2	70924-01-000	ELBOW-SWIVEL, 1/2MPT X 1/2FPT	4
E-1	65120-01-000	ELBOW-SWIVEL, 1/2FL X 1/2FPT	4
CU-2	101814-02-000	COUPLING-FEMALE 1/2FPT X 1/2FPT	1
CU-1	101814-01-000	COUPLING-FEMALE 1/2FPT X 1/2FPT	2
C-6	103798-01-000	CONNECTOR 1/4 OD X 3/8 MPT	1
C-5	98417-01-000	CONNECTOR-5/8FL X 1/2MPT	1
C-4	55294-01-000	CONNECTOR-1/2FL X 5/8FL	1
C-3	52959-03-000	CONNECTOR-1/2FL X 3/8MPT	1
C-2	52959-02-000	CONNECTOR-1/2FL X 1/2MPT	4
C-1	52959-01-000	CONNECTOR-1/2FL X 1/4MPT	1
CA-1	106217-01-CHT	COMPARTMENT ASM-SHOWER, EXT	1
CH-2	7161-01-000	CLAMP-HOSE, SPRING	1
CH-1	62401-02-000	CLAMP-HOSE, 1 1/2 - 2 1/2	4
CF-5	106258-02-000	CAP-INSERTABLE FLARE, 5/8"	1
CF-4	106258-01-000	CAP-INSERTABLE FLARE, 1/2"	1
A-6	112177-01-000	ADAPTER-BRASS, 1/2MPTX1/2BARB	2
A-5	10224-01-000	ADAPTER-3/8 MPT X 3/8 BARB	1
A-4	44927-01-000	ADAPTER-1 1/4 MPT X 1 1/4 BARB	1
A-3	98420-01-000	ADAPTER-SWIVEL, 5/8FL X 1/2FPT	1
A-2	79317-01-000	ADAPTER-SWIVEL, 1/2FL X 1/2FPT	3
A-1	52954-01-000	ADAPTER-NOSE CONE	1

- ④ ADD CONNECTOR LINE WHEN WATER HEATER IS REMOVED WITH EUROPEAN EXPORT PACKAGE.
- ⑤ PRESSURE VALVE MUST BE BETWEEN THE WATER HEATER AND CHECK VALVE.
- ④ USE WITH EUROPEAN EXPORT PACKAGE.
- 3. ALL TUBING TO BE SECURED AT 1200 INTERVALS MAXIMUM WITH CLAMP 10495-01-000 OR CLIP 91951-01-000 AND SCREW G67-10-12B.
- 2. TUBING TO BE INSTALLED WITH SUFFICIENT SLOPE TO PROVIDE DRAINAGE TO NEAREST VALVE.
- 1. PLASTIC FITTINGS TO BE SEALED WITH SEALANT 84456-01-000.

LEGEND	
HOT	-----
COLD	-----

WINNEDAGO 94 D23RC

UNSPECIFIED TOLERANCES ARE: MATERIAL: 1
 DIMENSIONS ARE IN MILLIMETERS

DATE 11/13/2009

SCALE: NONE

DO NOT SCALE DRAWING

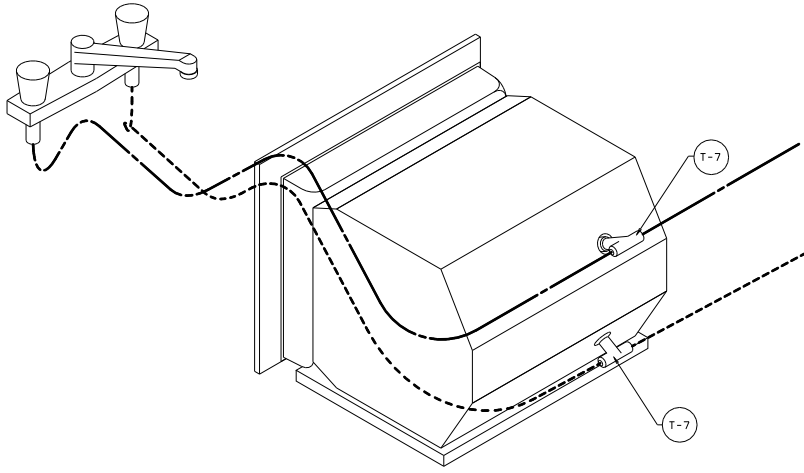
SIZE: 11

ALL DIMENSIONS ARE IN MILLIMETERS

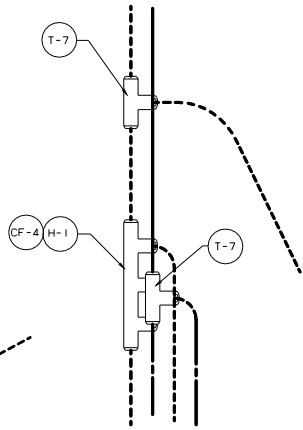
SHEET 1 OF 2

WATER SYSTEM INSTL

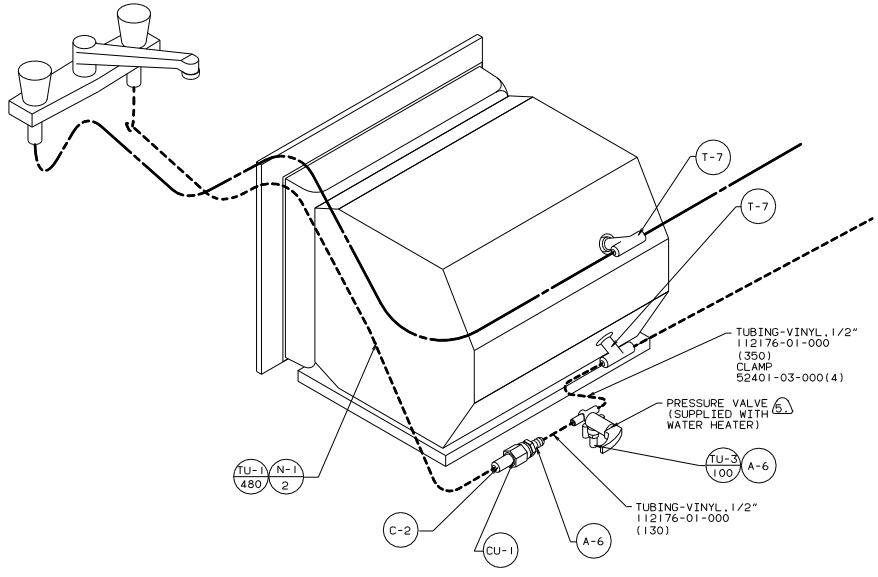
113250



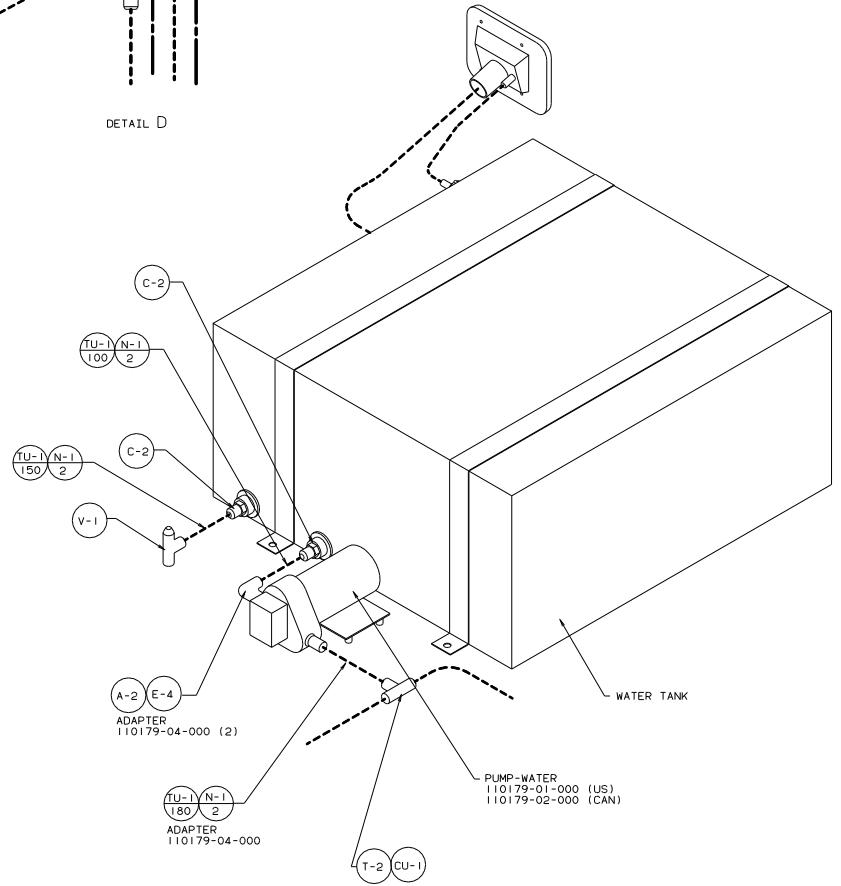
VIEW A-A



DETAIL D



VIEW B-B



VIEW C

TITLE: WATER SYSTEM INSTL		REV: 1.0	
30 NET SCALE DRAWING	SHEET 2 OF 2	DATE	113250