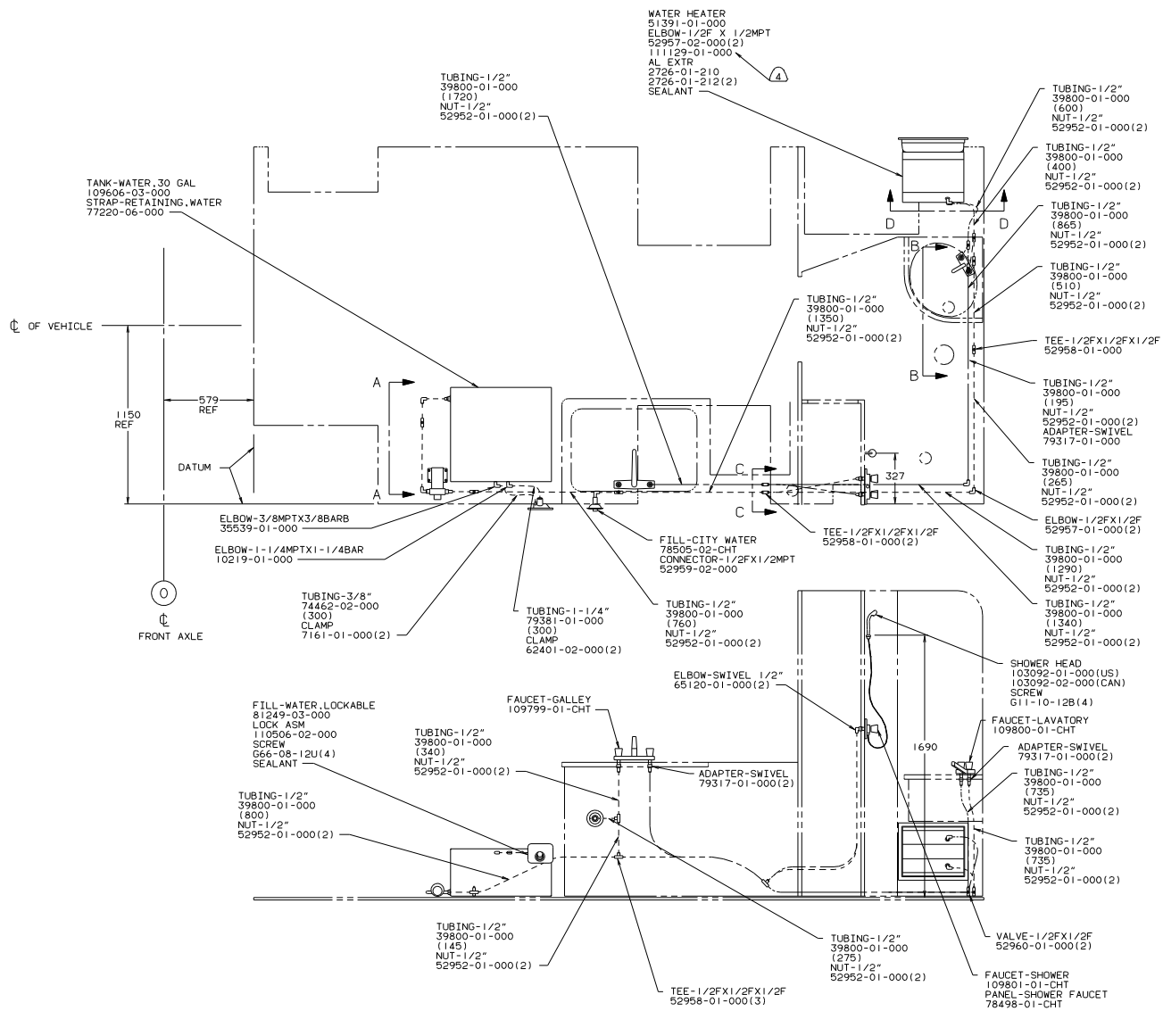


8. ALL PIPE TO BE SUPPORTED AT 1200 INTERVALS MAXIMUM.
7. SEE DWG 61607-01-000 FOR INSTL OF GROMMET.
- Ⓐ SEAL ALL AROUND SHOWER PAN WITH SILICONE 78474-01-CHT.
- Ⓐ VENT PIPE MUST PROJECT 51 MM MIN TO 64 MM MAX ABOVE ROOF FOR PROPER FIT AND FUNCTION.
4. ALL EXTERIOR OPENINGS AROUND PIPE TO BE SEALED WITH 69637-01-000.
3. ALL PIPE AND FITTINGS TO BE ASSEMBLED WITH SOLVENT 4020-01-000.
2. SLOPE OF TRAP MUST BE 6 PER 300 MINIMUM.
1. SLOPE OF HORIZONTAL PIPING TO BE 6 PER 300 MINIMUM.

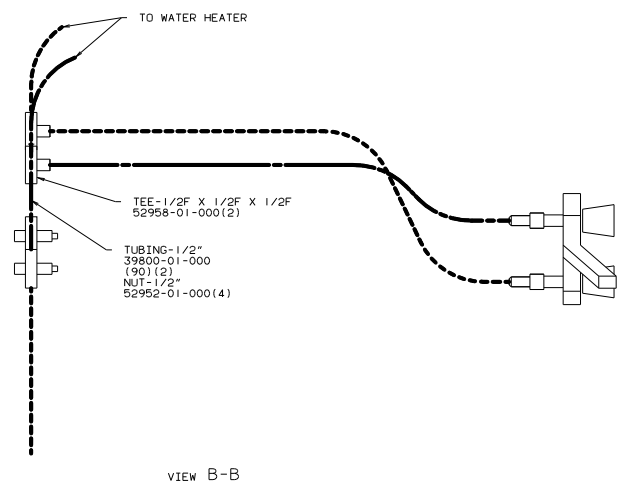
WINNAGO 93 D22RB	
DATE	109815
REV	1
BY	
CHECKED	
DATE	
SCALE	AS SHOWN
TITLE	DRAINAGE SYSTEM INSTL
SHEET	1 OF 1
DATE	109815



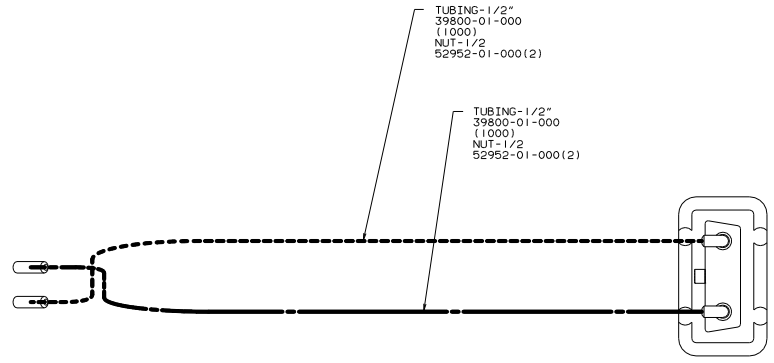
- Ⓐ USE WITH MOTOR AID OPTION ONLY.
- 5. PRESSURE VALVE MUST BE BETWEEN THE WATER HEATER AND CHECK VALVE OR BYPASS KIT.
- Ⓐ USE WITH EUROPEAN EXPORT PACKAGE.
- 3. ALL TUBING TO BE SECURED AT 1219 MAXIMUM SPACING WITH CLAMP 10495-01-000 AND SCREW G67-10-12B.
- 2. PLASTIC FITTINGS TO BE SEALED WITH SEALANT 84456-01-000.
- 1. TUBING TO BE INSTALLED WITH SUFFICIENT SLOPE TO PROVIDE DRAINAGE TO NEAREST VALVE.



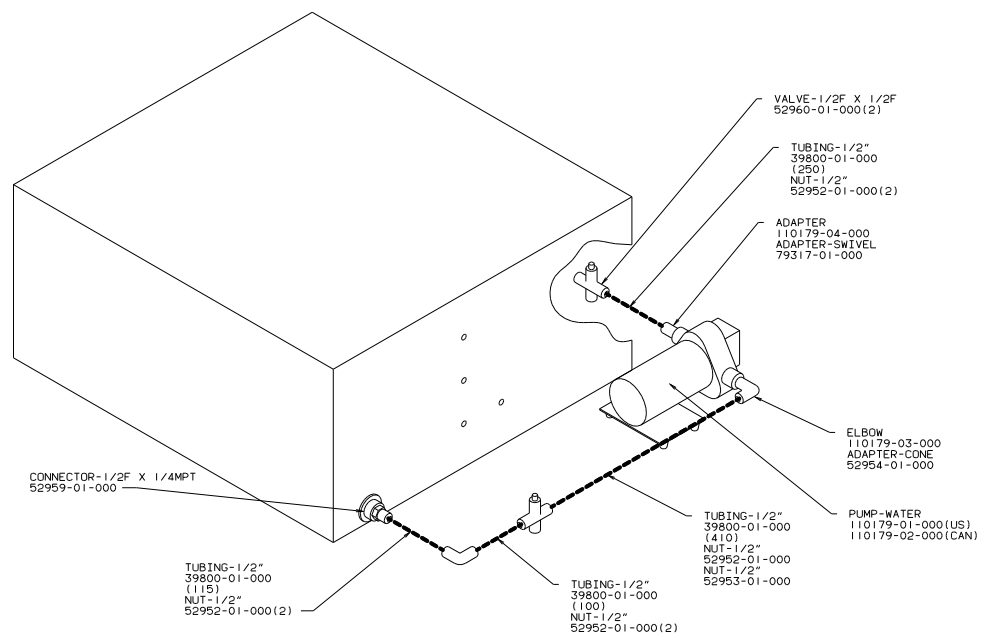
WINNEBAGO		93 D22RB
OPTN	UNSPECIFIED TOLERANCES ARE:	MATERIAL:
CHRP	HALF DIM (IN)	1/8
FIN	ONE-PLACE (IN.XI)	
FIN	TWO-PLACE (IN.XXX)	
FIN	ANGLE	
CONR	THIRD ANGLE PROJECTION	
LANFR	D22RB3	TITLE: WATER SYSTEM INSTL
DIA #	SCALE: NONE	DO NOT SCALE DRAWING
ALL DIMENSIONS ARE IN MILLIMETERS	SHEET 1 OF 2	DATE 109749



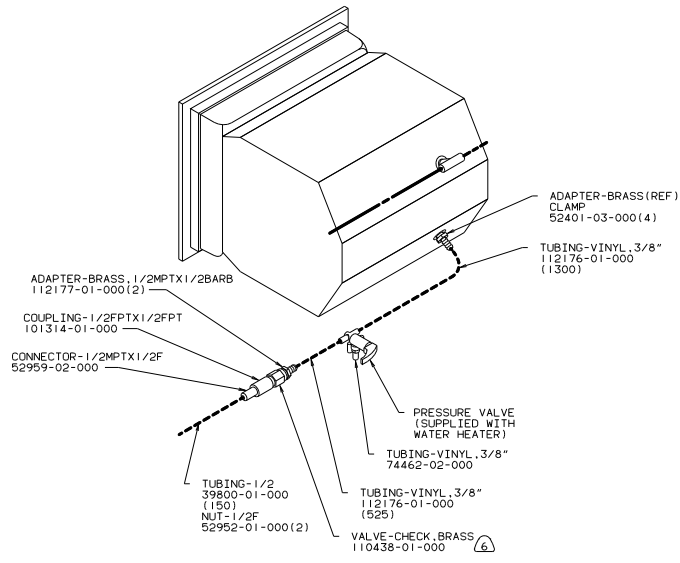
VIEW B-B



VIEW C-C



VIEW A-A



VIEW D-D