

DETAIL A
SCALE: 0.5

- SHOWER INSTL-ENCLOSURE 102801-01-000
- STRAINER 66729-01-000
- SEALER 69736-01-000
- NUT 66435-01-000
- WASHER 69736-01-000
- TAILPIECE 11069-02-000
- NUT 66436-01-000
- PLATFORM ASM-SHOWER 103011-01-XXX
- P-TRAP - 1-1/4" 107538-01-000 (US)
- 11066-02-000 (CAN)
- COUPLER - RUBBER 3" X 3" 78406-01-000 (2)
- ADAPTER - OFFSET REDUCER 3" X 1-1/2" 62422-01-000
- PIPE - 1-1/2" 10195-01-000 (US)
- 10195-02-000 (CAN)
- ELBOW - 1-1/2 X 90° EXTRA LONG TURN 33761-01-000

- SINK 102951-01-000(TOP MOUNT)
- 104133-01-000(RECESSED)(US)
- 104133-02-000(RECESSED)(CAN)
- STRAINER W/BASKET 66437-01-000 (2)
- SEALER 69640-01-000
- NUT 66435-01-000(2) (TOP MOUNT ONLY)

- CONTINUOUS WASTE 1-1/4" 11091-02-000 (US)
- 11091-03-000 (CAN)

- ADAPTER 109571-01-000(US)
- PIPE-1 1/2" 10195-01-000 (US)
- (50)
- 10195-02-000 (CAN)

- SINK 96927-01-CHT

- P-TRAP - 1-1/4" 107538-01-000 (US)
- 11066-02-000 (CAN)

- ELBOW-1 1/2" X 45° 10006-01-000

- PIPE-1 1/2" 10195-01-000 (US)
- 10195-02-000 (CAN)

- PIPE - 3" 10197-01-000 (US)
- 10197-02-000 (CAN)
- (140)

- VALVE-DUAL, 3.00" & 1.50" 70916-01-000

- VENT 89069-01-CHT (2)
- SCREW 46029-02-000 (12)

- PIPE - 1-1/2" 10195-01-000 (US)
- 10195-02-000 (CAN)
- (1425)

- ELBOW - 1-1/2 X 45° 10006-01-000
- PIPE - 1-1/2" 10195-01-000 (US)
- 10195-02-000 (CAN)
- (105)

- ELBOW - 1-1/2 X 45° 10051-01-000
- TEE-1 1/2 X 1 1/2 X 1 1/2 10071-01-000

- PIPE - 1-1/2" 10195-01-000 (US)
- 10195-02-000 (CAN)

- ELBOW - 1-1/2 X 90° EXTRA LONG TURN° 10008-01-000 (2)
- PIPE - 1-1/2" 10195-01-000 (US)
- 10195-02-000 (CAN)
- (340)

- PIPE-1 1/2" 10195-01-000 (US)
- 10195-02-000 (CAN)
- (85)

- COUPLING-1 1/2" 10115-01-000
- PIPE-1 1/2" 10195-01-000 (US)
- 10195-02-000 (CAN)
- (55)

- TOILET 84738-01-CHT
- PLATFORM ASM-TOILET 103012-01-XXX
- ELBOW - 3" X 45° 10061-01-000 (2)
- GROMMET 61607-02-000 (5)
- PLATE-COVER 94396-04-000
- STARLE 5403-03-000
- PIPE - 1-1/2" 10195-01-000 (US)
- 10195-02-000 (CAN)
- (2040)

- ADAPTER 109571-01-000
- PIPE-1 1/2" 10195-01-000 (US)
- (140)
- 10195-02-000 (CAN)
- (240)

- TEE-1 1/2 X 1 1/2 X 1 1/2 10071-01-000
- PIPE-1 1/2" 10195-01-000 (US)
- 10195-02-000 (CAN)
- (85)

- COUPLING-1 1/2" 10115-01-000
- PIPE-1 1/2" 10195-01-000 (US)
- 10195-02-000 (CAN)
- (55)

- GROMMET 61607-01-000 (3)

- CRADLE ASM-HOLDING TANK 103227-02-000
- BOLT C18-05-40A (4)
- NUT D39-05-00B (4)
- TANK ASM 102766-02-000
- ELBOW - 1-1/2 X 45° 10051-01-000

- FLANGE-CLOSET 4" X 3" 24676-01-000 (US)
- 24676-02-000 (CAN)

- ELBOW - 1-1/2 X 45° 10051-01-000
- TEE-1 1/2 X 1 1/2 X 1 1/2 10071-01-000

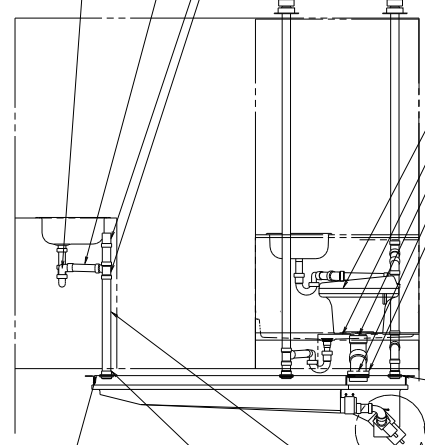
- PIPE - 1-1/2" 10195-01-000 (US)
- 10195-02-000 (CAN)

- ELBOW - 1-1/2 X 90° EXTRA LONG TURN° 10008-01-000 (2)
- PIPE - 1-1/2" 10195-01-000 (US)
- 10195-02-000 (CAN)
- (340)

- PIPE-1 1/2" 10195-01-000 (US)
- 10195-02-000 (CAN)
- (85)

- COUPLING-1 1/2" 10115-01-000
- PIPE-1 1/2" 10195-01-000 (US)
- 10195-02-000 (CAN)
- (55)

- CRADLE ASM-HOLDING TANK 103227-01-000
- BOLT C18-05-40A (4)
- NUT D39-05-00B (4)



- P-TRAP - 1-1/4" 107538-01-000 (US)
- 11071-01-000 (CAN)

- ADAPTER 109571-01-000(US)
- PIPE-1 1/2" 10195-01-000 (US)
- (80)
- 10195-02-000 (CAN)
- (115)

- VENT - MECHANICAL 79968-01-000
- TEE-1 1/2 X 1 1/2 X 1 1/2 10071-01-000

- BRACKET 95061-01-000 (6)
- SCREW G67-10-128 (6)
- CLAMP 62401-02-000 (3)

- PLATE-COVER 94396-02-000
- STARLE 5403-03-000

- PIPE - 1-1/2" 10195-01-000 (US)
- 10195-02-000 (CAN)
- (530) (TOP MOUNT SINK)
- (505) (RECESSED SINK)
- COUPLING-1 1/2" 10115-01-000
- PIPE - 1-1/2" 10195-01-000 (US)
- 10195-02-000 (CAN)
- (55)

- ADAPTER - 3" 62416-01-000

- HOSE - SEWER 3" 10201-01-000

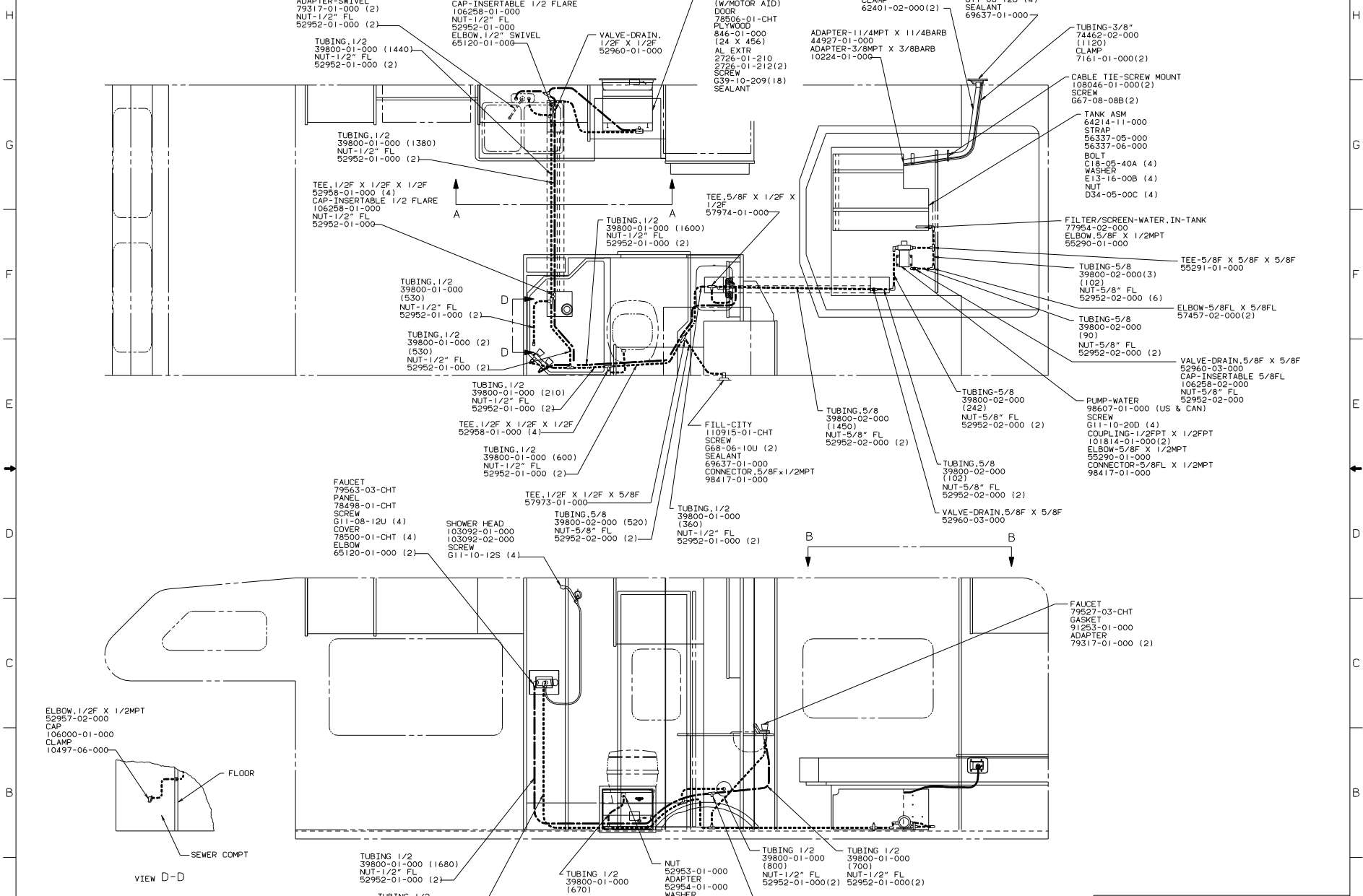
- P-TRAP-1 1/4" 107538-01-000(US)
- 11066-02-000(CAN)

- TANK ASM 102761-02-000

- TRIM P-TRAP EXTENSION TO FIT.
- SECURE VENT TUBES TO FLOOR.
- VENT PIPE MUST PROJECT 51 MINIMUM TO 64 MAXIMUM ABOVE ROOF FOR PROPER FIT AND FUNCTION.
- SEE DWG 61607-01-000 FOR INSTALLATION OF GROMMET.
- ALL EXTERIOR OPENINGS AROUND PIPE TO BE SEALED WITH 69637-01-000.
- ALL PIPE AND FITTINGS TO BE ASSEMBLED WITH SOLVENT 4020-01-000.
- SLOPE OF TRAP ARM MUST BE 6 PER 305.
- SLOPE OF HORIZONTAL PIPING TO BE 6 PER 305.

WINNERCO		91 W/IF327R0
DATE	INVOICE/ISSUE TOLERANCE ARE	MATERIAL
DRWN	WHOLE COPY 1111	+
P.E.	IN-PACKAGE 11.011	+
P.L.	TWO-PAGE 11.011	+
DATE	AS-BUILT	+
DATE	THIRD ANGLE PROJECTION	+
DATE	DATE	+

LAYER NO	327R01	TITLE	DRAINAGE SYSTEM INSTL
DATE	SCALE: 1:8	DO NOT SCALE DIMENSIONS	SIZE
ALL DIMENSIONS ARE IN MILLIMETERS		SHEET	1 OF 1
WINNERCO		DATE	103238



3. ALL TUBING TO BE SECURED AT 1200 INTERVALS MAX. WITH CLAMP 10495-01-000 AND SCREW G67-10-12B.
2. TUBING TO BE INSTALLED WITH SUFFICIENT SLOPE TO PROVIDE DRAINAGE TO NEAREST DRAINAGE VALVE.
1. PLASTIC FITTINGS TO BE SEALED WITH SEALANT 84456-01-000.

NOTES:

		93 W1F527R0 TITLE: WATER SYSTEM INSTL SHEET 1 OF 2
PART NO: 527R03 DIA # SCALE: 0.1 ALL DIMENSIONS ARE IN MILLIMETERS	UNSPECIFIED TOLERANCES ARE: HOLE DIA (Ø) ± 0.15 ONE-PLATE (Ø, X) ± 0.5 TWO-PLATE (Ø, X) ± 0.5 HOLE ± 0.15 HOLE ± 0.15 THRU HOLE PROJECTION	DATE: 11/08/32 DRAWN BY: [Signature] CHECKED BY: [Signature] DATE: 11/08/32

