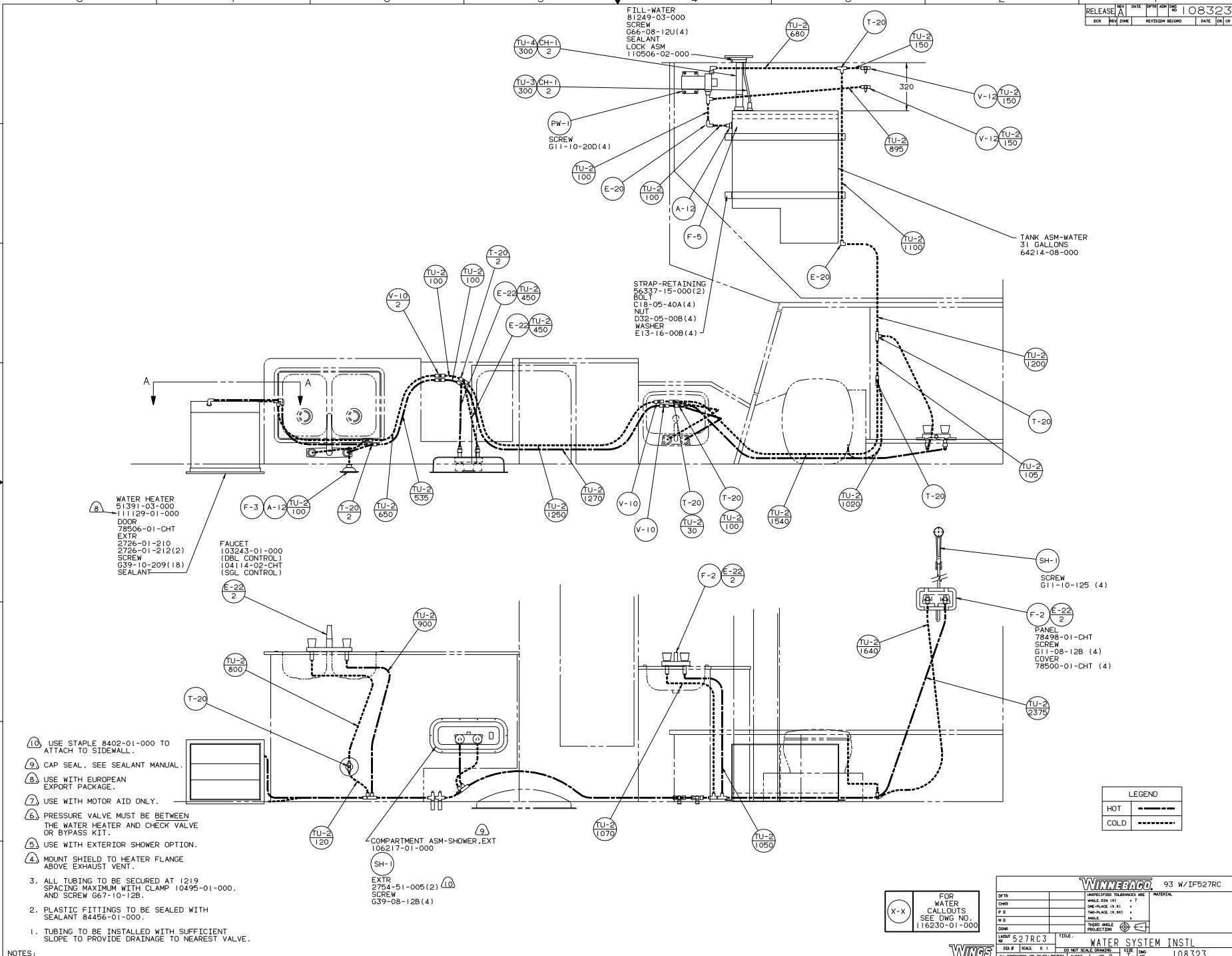


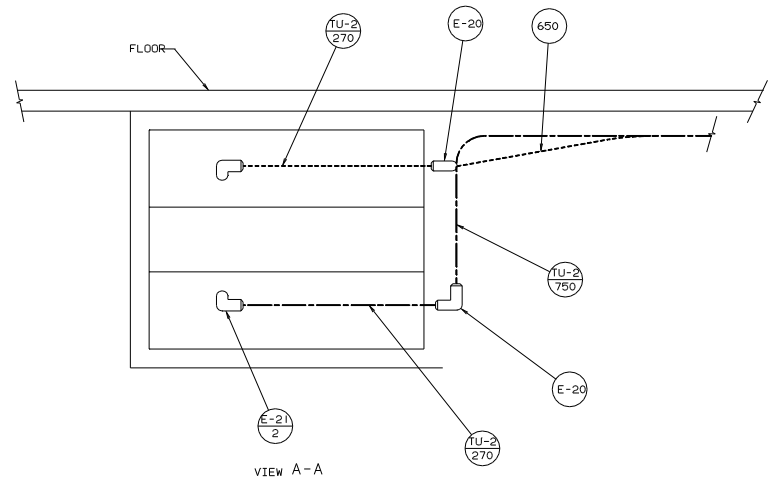
- 9. VENT PIPE MUST PROJECT 51 MM MIN AND 63.5 MM MAX ABOVE ROOF FOR PROPER FIT AND FUNCTION.
 - 8. SEE DWG 61607-01-000 FOR INSTL OF GROMMET.
 - 7. SEAL ALL AROUND SHOWER WITH SILICONE 78474-01-CHT.
 - 6. FOR CAN UNITS EACH HOLDING TANK SHALL HAVE A CSA APPROVAL STAMPED NEAR THE IAPMO APPROVAL.
 - 5. EXPOSED PIPE ABOVE ROOF TO BE PAINTED 37163-01-000.
 - 4. ALL EXTERIOR OPENINGS AROUND PIPE TO BE SEALED.
 - 3. ALL PIPE AND FITTINGS TO BE ASSEMBLED WITH SOLVENT 4020-01-000.
 - 2. SLOPE OF TRAP ARM MUST BE 6 PER 300.
 - 1. SLOPE OF HORIZONTAL PIPING TO BE 6 PER 305 MIN.
- 12 NOT USED ON CANADIAN UNITS.
 - 11 TRIM P-TRAP EXTENSION TO FIT.
 - 10 SECURE VENT TUBES TO FLOOR.

(X-X) FOR DRAINAGE CALLOUTS SEE DWG NO. 116229-01-000

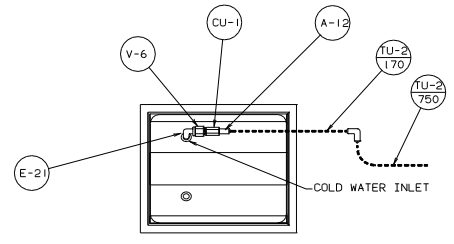
WINNEBAGO		92 W/1F527RC
DATE:	UNSPECIFIED TOLERANCES ARE:	MATERIAL:
CHKD:	WHOLE DIM (31)	
FILE:	ONE-PLACE (19, 21)	
REV:	TWO-PLACE (19, 20)	
DATE:	ANGLE:	
CODE:	THIRD ANGLE PROJECTION	
LANTN 427RC2		TITLE: DRAINAGE SYSTEM INSTL
SHEET 1 OF 1		105328
REF: 102033		



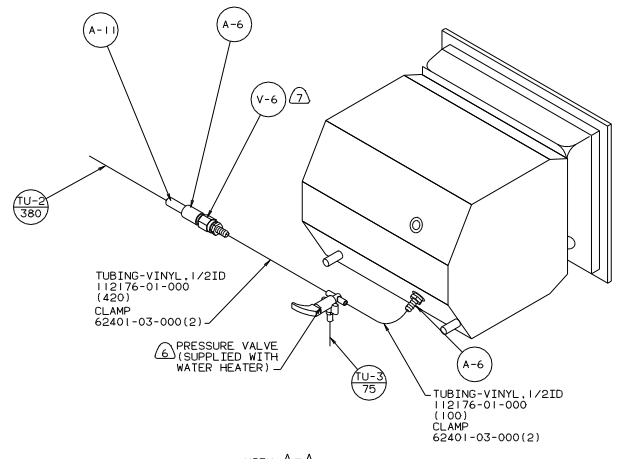
- 10. USE STAPLE 8402-01-000 TO ATTACH TO SIDEWALL.
- 9. CAP SEAL. SEE SEALANT MANUAL.
- 8. USE WITH EUROPEAN EXPORT PACKAGE.
- 7. USE WITH MOTOR AID ONLY.
- 6. PRESSURE VALVE MUST BE BETWEEN THE WATER HEATER AND CHECK VALVE OR BYPASS KIT.
- 5. USE WITH EXTERIOR SHOWER OPTION.
- 4. MOUNT SHIELD TO HEATER FLANGE ABOVE EXHAUST VENT.
- 3. ALL TUBING TO BE SECURED AT 1219 SPACING MAXIMUM WITH CLAMP 10495-01-000, AND SCREW 667-10-12B.
- 2. PLASTIC FITTINGS TO BE SEALED WITH SEALANT 84456-01-000.
- 1. TUBING TO BE INSTALLED WITH SUFFICIENT SLOPE TO PROVIDE DRAINAGE TO NEAREST VALVE.



VIEW A-A



VIEW A-A WITH MOTORAID (COLD WATER)



VIEW A-A (EUROPEAN)

93 W/IF527RC

TITLE:		WATER SYSTEM INSTL	
30 NET SCALE DRAWING	SHEET 2 OF 2	REV 1.1	108323